

# Storm Front®

## SERIES IW8100 HURRICANE RESISTANT FIXED WINDOW

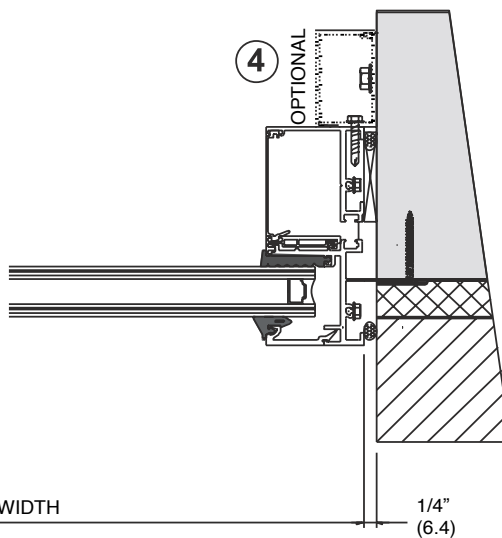
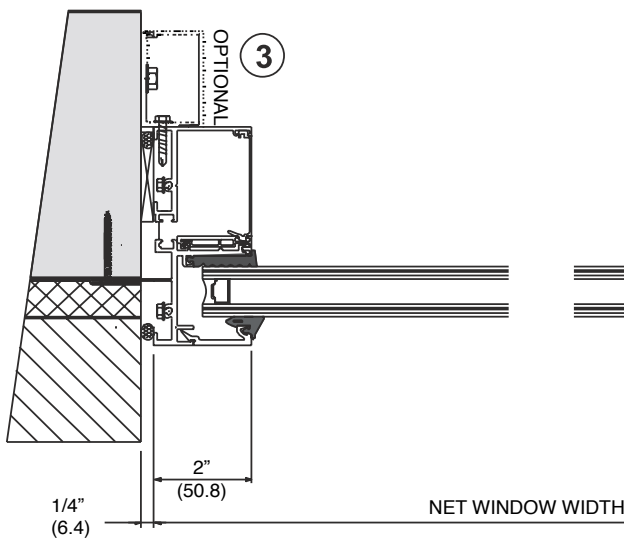
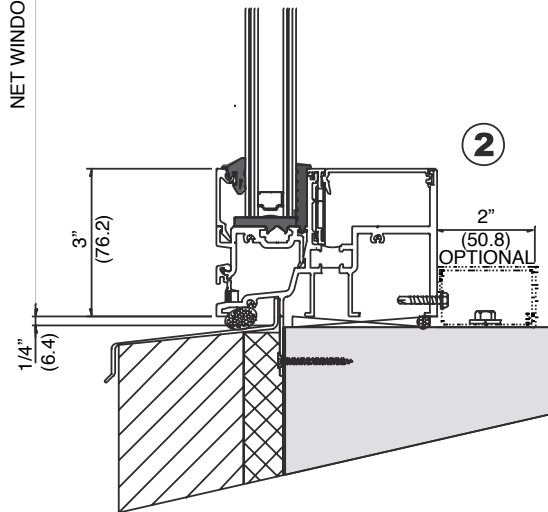
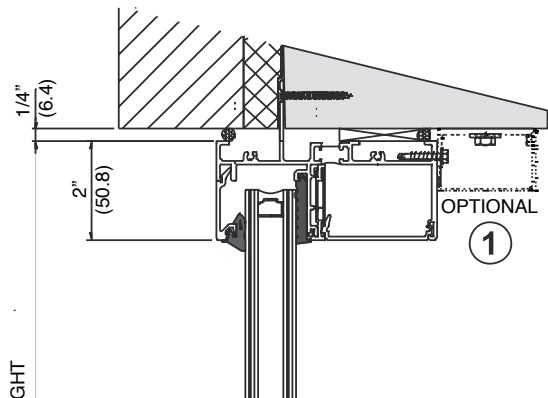


- Tested to AAMA CW60
- Thermally Insulated-NFRC Certified
- U-Factors as Low as 0.34
- 4-1/2" (114 mm) Deep Frame to Match Typical Building Conditions
- Choice of Block or Fin Frame
- 1-5/16" (33 mm) Glazing
- Accessories Such as Mulling Bars, Subsills, Head and Jamb Channels are Available
- Available in an Array of Architectural Coatings and Anodized Finishes
- Made in the USA



The Series IW8100 Fixed Window offers that rare combination of durability and toughness to meet stringent requirements of the Miami/Dade County protocol for maximum protection from high winds and wind born debris.

# SERIES IW8100 FIXED WINDOW TYPICAL DETAILS



Anchor Flange  
Installation  
Method Shown

Maximum Frame Size  
96" x 60" (2.4 x 1.5 m)

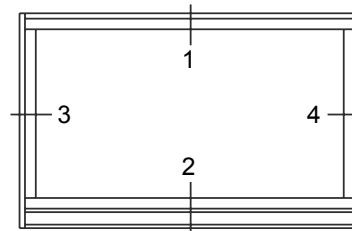
A complete set of  
details in DWG  
format is available at  
**usalum.com**

Meets or Exceeds specifications:

- AAMA/WDMA/CSA 101/1.S.2/A 440 -08
  - ASTM E 283-04
  - ASTM E 330-02
  - ASTM E 331-00
  - AAMA 1503
- NFRC - NFRC 100-2004
  - NFRC 200-2004
  - NFRC 500-2004

**NOTE:**

- 1" (25 mm) Glazing Shown,
- 1-1/32" (26 mm) Glazing For DoD Blast
- 1-5/16" (33 mm) Glazing For Hurricane Resistance



For Specifications, Details, and Testing Data go to **usalum.com**.

NOT TO SCALE