

OFFICE PARTITIONS

NEW SERIES 487 INTEGRATED SLIDER INTEGRATED TOP HUNG SLIDING DOORS



U.S. ALUMINUM[™]
INTERIOR PRODUCTS



- All-Glass, and Aluminum Framed Doors
- Single or Bi-Parting Doors, With or Without a Transom
- 1-1/2" Face Trim
- Accepts 1/4", 3/8", 1/2", and 9/16" (6, 10, 12, 14 mm) Glazing
- Several Stock Finishes Available, With Custom Finishes on Request
- Stock Frame Kits Available
- Contributes to LEED® Certification Ratings
- Can Accommodate Doors Weighing up to 200 lbs. (91 kg)
- Optional "Softbrake" Braking System on All Glass Doors Only

Introducing the latest addition to the **Series 487 Office Partition** family, the **487 Integrated Slider**. This top-hung sliding system saves valuable floor space over conventional pivoting systems. Our newly developed narrow stile fully framed door provides acoustical performance but with minimal metal. The system can also accommodate wood doors and all-glass doors. A great way to divide interior office space and provide acoustical privacy, all while allowing desirable light to enter the interior spaces and qualify for LEED® (Leadership in Energy and Environmental Design) Green Building Rating System™ credit.

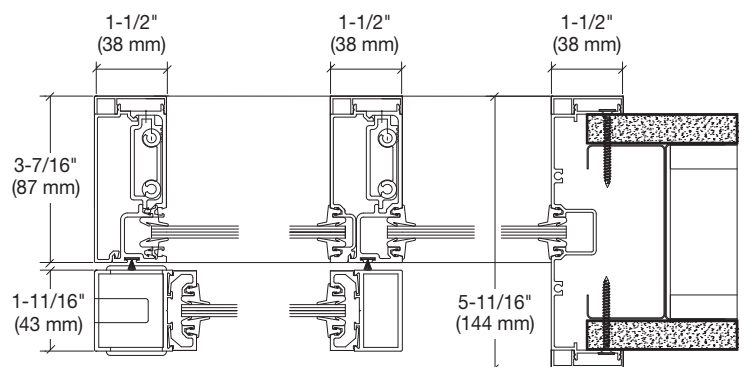
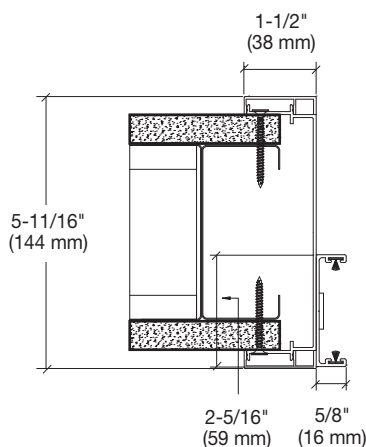
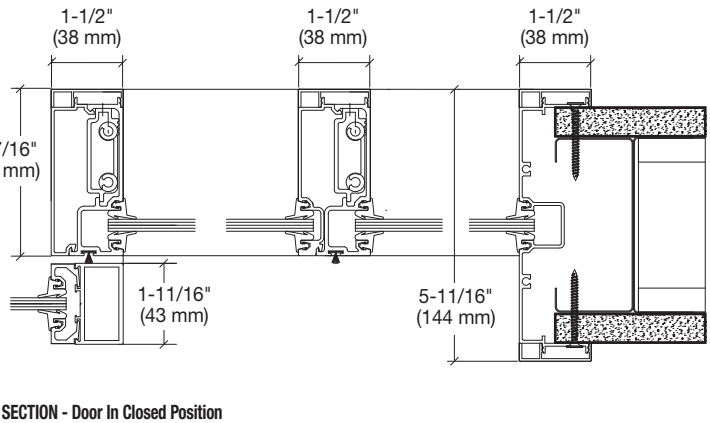
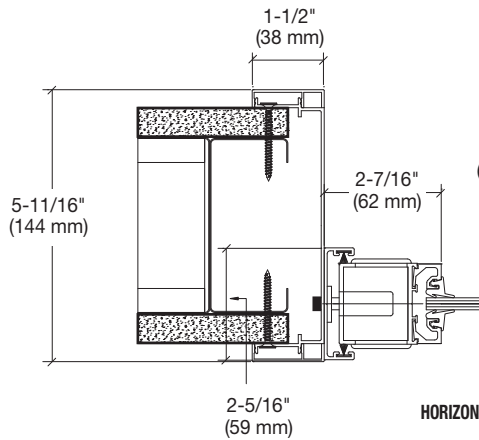
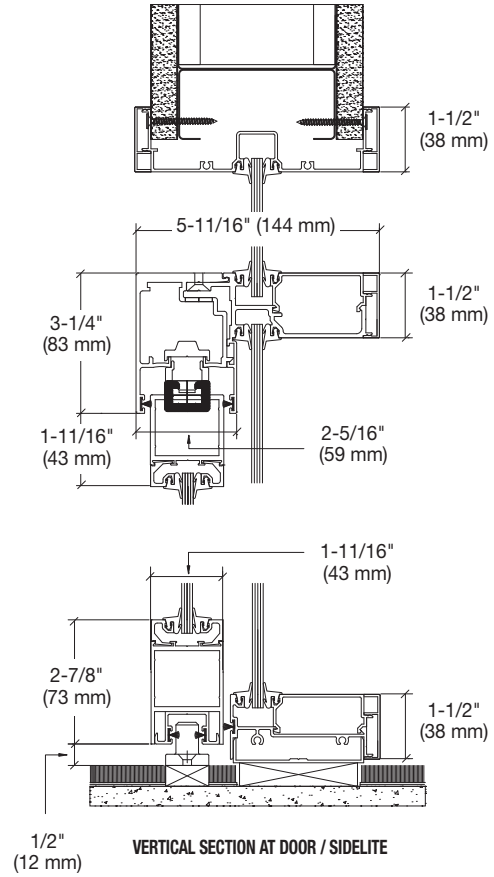
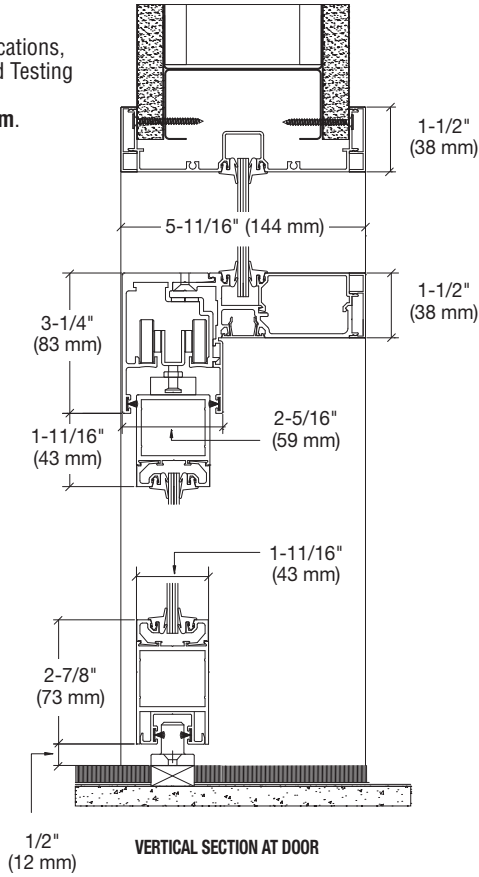
CRL-U.S. Aluminum offers a variety of Office Partition Hardware to make state-of-the-art interior office systems available to the glazing industry. Our commitment to our customers is to carry sufficient inventories of popular stock items, and provide short lead times for special orders. It is a total program that will allow your entry into the Office Partitions market.

CRL
U.S. ALUMINUM
usalum.com • crlaurence.com
crl-arch.com

U.S. ALUMINUM

SERIES 487 OFFICE PARTITION SYSTEM WITH INTEGRATED SLIDER TYPICAL DETAILS

For Specifications, Details, and Testing Data go to usalum.com.



NOT TO SCALE