

# OFFICE PARTITIONS

## NEW SERIES 487 OFFICE PARTITIONS SLEEK AND FUNCTIONAL



- Single and Double Door Frames Designed to Wrap 4-7/8" (124 mm) Walls
- Optional Mounting for Walls Greater Than 4-7/8" (124 mm)
- Screw Spline or Clip Joinery
- 1-1/2" (38 mm) Face Trim Available
- Narrow, Medium, and Wide Stile Aluminum Doors Available
- Integrated Sliding Aluminum Door Kit Options Available
- Accepts 1/4", 3/8", 1/2", and 9/16" (6, 10, 12, and 14 mm) Glazing
- Several Stock Finishes Available, With Custom Finishes on Request
- Contributes to LEED® Certification Ratings
- Available in Individual Stock Lengths or Convenient Door Frame Kits
- Acoustically Rated **487-AR Double Glazed** Option for Reduced Sound Transmission is Also Available.

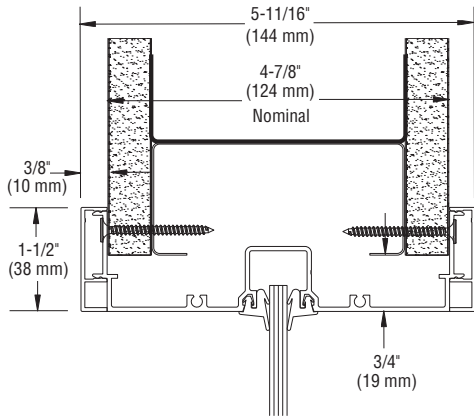
We have involved all our resources to develop a product line that our customers, architects, and designers will come to trust as a viable solution to their interior office design needs. Use our 487 Series Office Partition Frames for sidelites to doors, clerestory lites, borrowed lites, or continuous glass walls. A great way to divide interior office space and provide acoustical privacy, all while allowing desirable light to enter the indoor spaces and qualify for LEED® (Leadership in Energy and Environment Design) Green Building Rating System™ credit.

CRL-U.S. Aluminum offers a variety of Office Partition Hardware to make state-of-the-art interior office systems available to the glazing industry. Our commitment to our customers is to carry sufficient inventories of popular stock items, and provide short lead times for special orders. It is a total program that will allow your entry into the Interior Office Front Systems market.

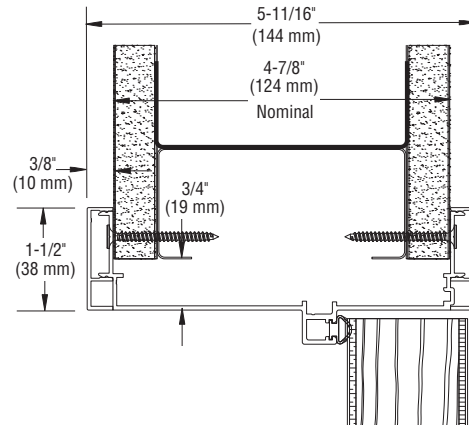
For additional information, contact U.S. Aluminum Technical Sales at (800) 262-5151 in the U.S. and Canada, and ask for Ext. 5305. You can also email us through our web site at [usalum.com](http://usalum.com).

**CRL**  
**US ALUMINUM**  
crlaurence.com • usalum.com  
crl-arch.com

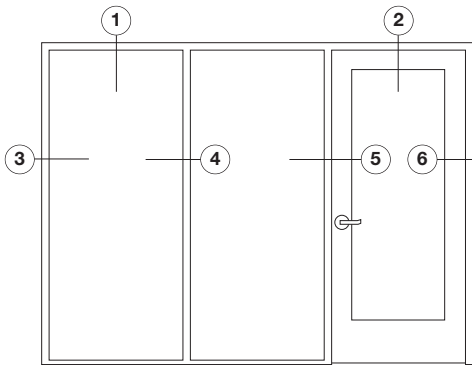
# SERIES 487 OFFICE PARTITION SYSTEM TYPICAL DETAILS



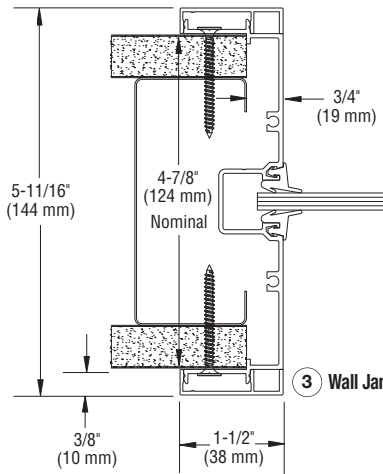
① Fixed Glazing Header



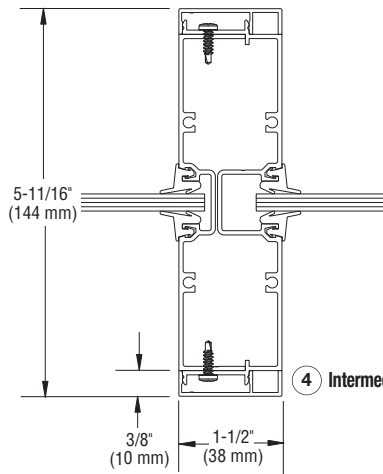
② Door Header



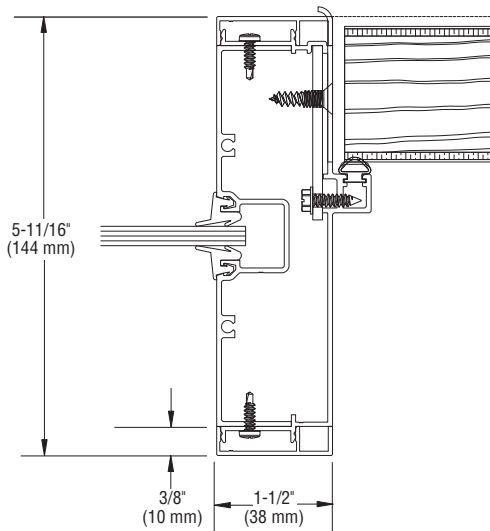
Typical Elevation



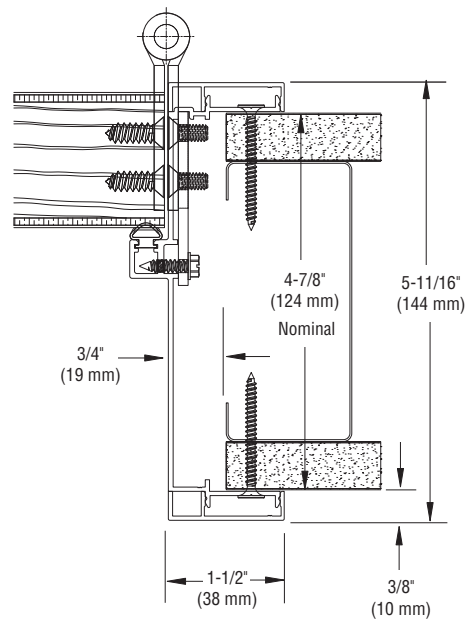
③ Wall Jamb



④ Intermediate Vertical



⑤ Strike Jamb with Sidelite



⑥ Hinge Jamb

NOT TO SCALE