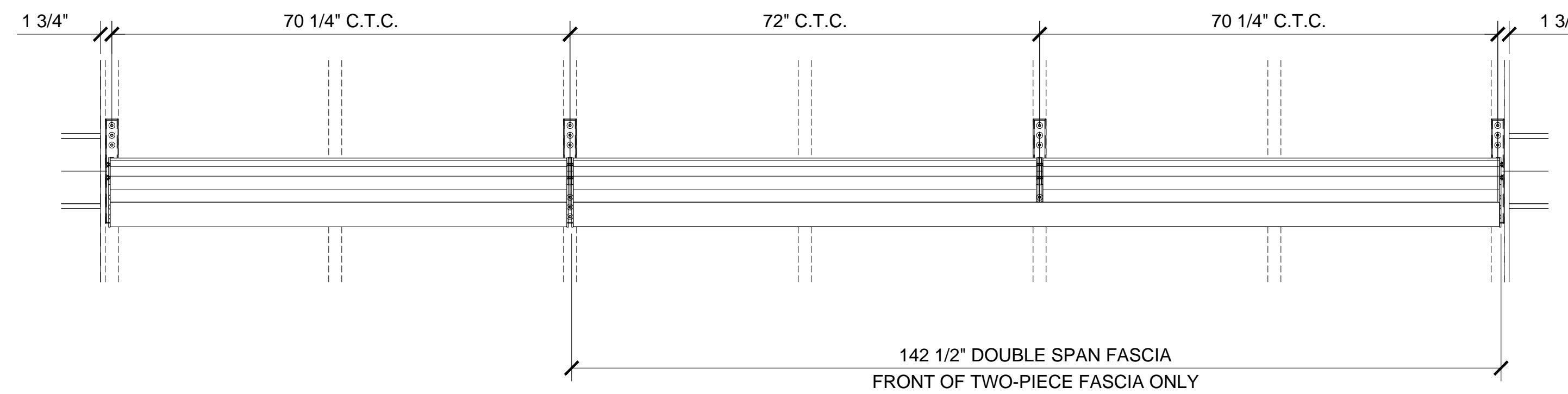
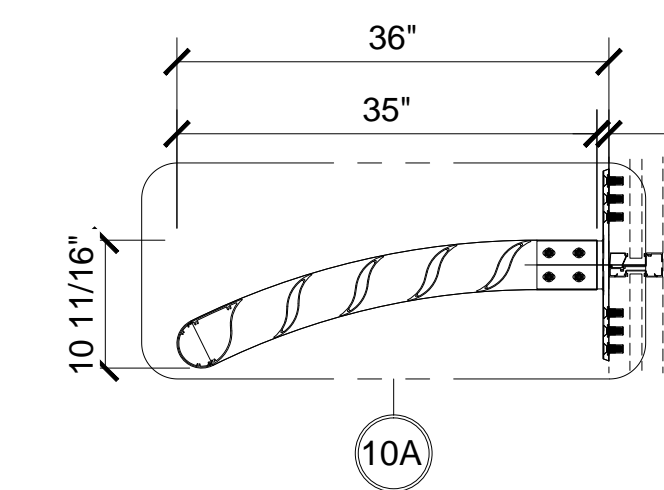


PLAN



ELEVATIONS



SECTION

CRL US ALUMINUM SUNSHADE SYSTEM 3600 SERIES / 451 STOREFRONT

4" TALL CURVED OUTRIGGER WITH TWO-PIECE TEAR DROP FASCIA AND 1X6" "S" INFILL BLADES
2" X 4 1/2" SERIES 451 CENTER GLAZED STOREFRONT FOR 1" GLASS

OUTRIGGER

- 9 STANDARD OUTRIGGER STYLES
- *OUTRIGGERS AVAILABLE IN FIVE STANDARD NOMINAL LENGTHS: 24", 30", 36", 42" AND 48"
- * CUSTOM HEIGHTS AND LENGTHS ARE AVAILABLE
- * CUSTOM CORNER OUTRIGGERS ARE AVAILABLE

FINISHES

- 5 STANDARD FINISHES:
- * MILL
- * SATIN ANODIZED
- * DARK BRONZE ANODIZED
- * POWDER COAT
- * KYNAR PAINT

MOUNTING BRACKET

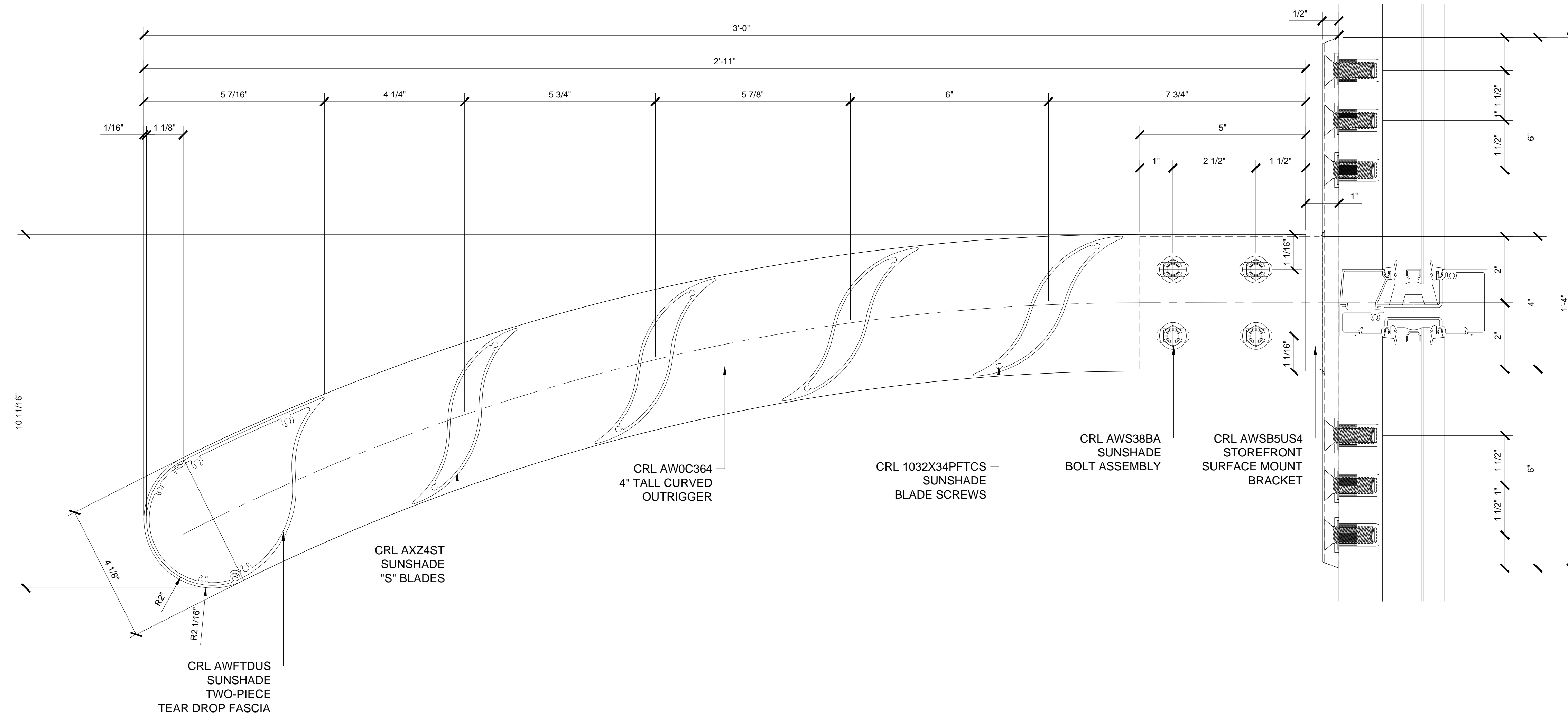
- * 5 DIFFERENT MOUNTING OPTIONS
- WALL MOUNT BRACKET
- UNIVERSAL CURTAIN WALL MOUNT
- CURTAIN WALL MOUNT (MULLION WEB MOUNT)
- STRUCTURAL SILICONE CURTAIN WALL MOUNT
- STOREFRONT SURFACE MOUNT
- * CUSTOM MOUNTING BRACKETS ARE AVAILABLE
- * CUSTOM CORNER MOUNTING BRACKETS ARE AVAILABLE

FASCIA

- * 14 DIFFERENT FASCIA OPTIONS
- SQUARE TUBE FASCIA (2 STD. SIZES)
- "C" CHANNEL FASCIA (2 STD. SIZES)
- ROUND TUBE FASCIA (2 STD. SIZES)
- BULLNOSE FASCIA (2 STD. SIZES)
- 6" BULLNOSE
- 12" BULLNOSE
- TAPERED NOSE FASCIA
- TEAR DROP TWO-PIECE FASCIA
- SQUARE TWO-PIECE FASCIA
- ROUND TWO-PIECE FASCIA

INFILL BLADES

- * 37 DIFFERENT INFILL BLADE OPTIONS
- AIR FOIL BLADES (5 STD. SIZES)
- ROUND TUBE BLADES (5 STD. SIZES)
- SQUARE TUBE BLADES (5 STD. SIZES)
- RECTANGULAR TUBE BLADES (5 STD. SIZES)
- FLAT BAR EXTRUDED BLADES (12 STD. SIZES)
- 1/8" THICK BLADES (5 SIZES)
- 1/4" THICK BLADES (7 SIZES)
- "C", "S" AND "Z", EXTRUDED BLADES
- "C" SHAPED BLADES (1 SIZE)
- "S" SHAPED BLADES (2 SIZES)
- "Z" SHAPED BLADES (2 SIZES)



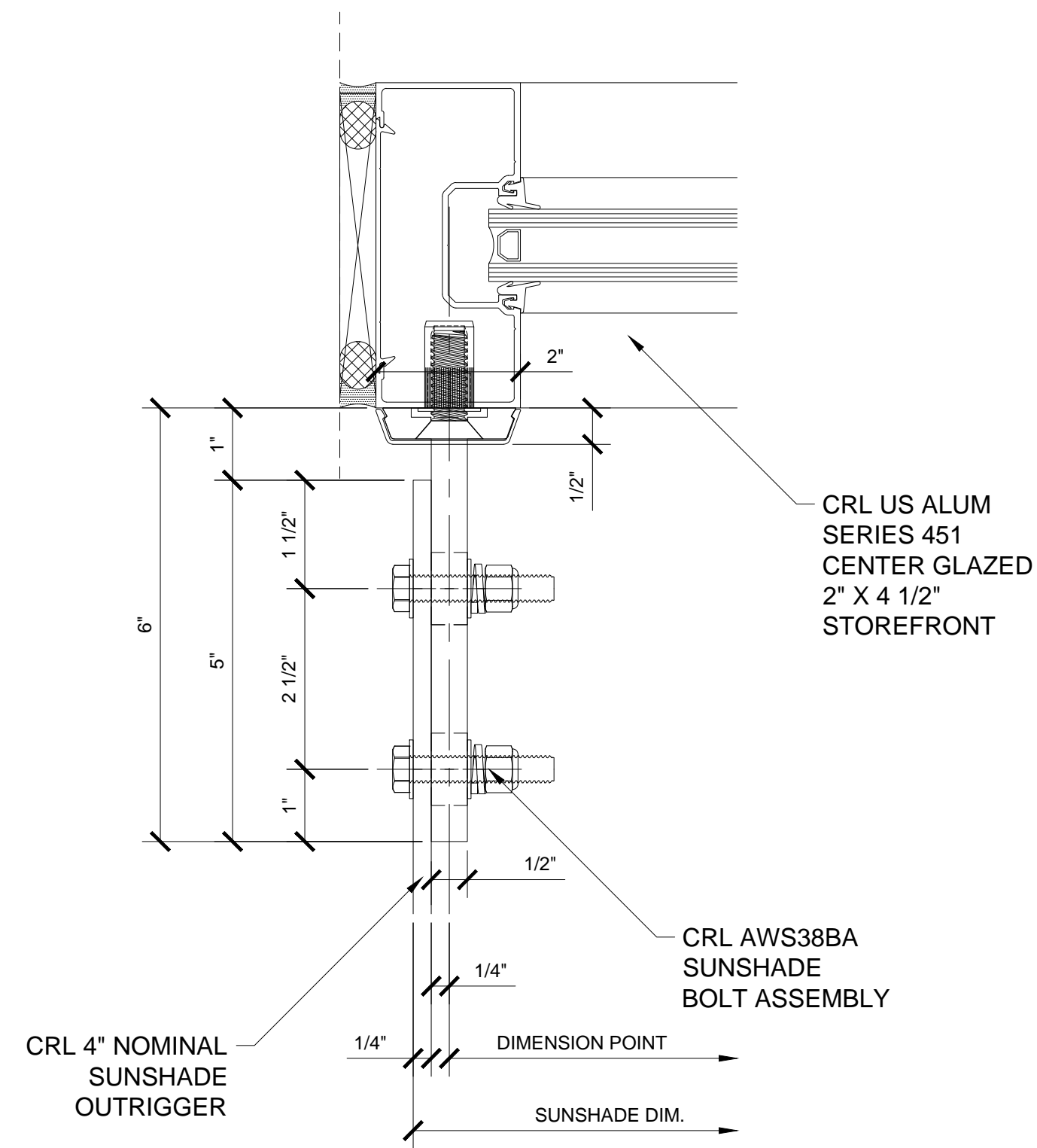
Discription:
CRL U.S. ALUMINUM
ARCHITECTURAL
SUNSHADE SYSTEMS
SERIES 3600

Drawn By: VM
Date: 01/17/14
Scale: 6" = 1'-0"
File Name: CRLUSAL SS 3600 SF.dwg

Sheet

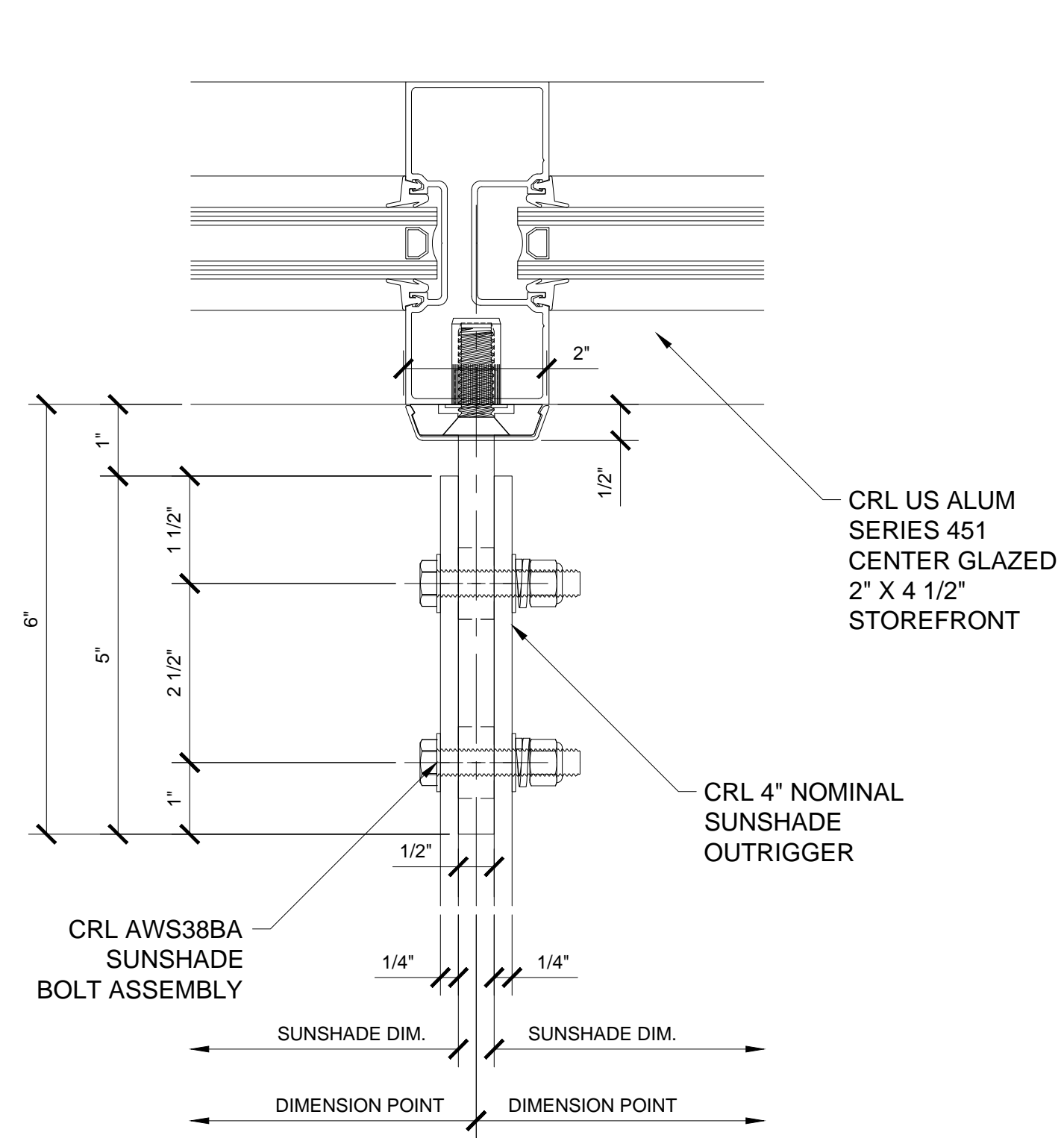
CRL 36" SUNSHADE SECTION DETAIL

4" TALL CURVED OUTRIGGER WITH TWO-PIECE TEAR DROP FASCIA AND 1X6" "S" INFILL BLADES / 2" X 4 1/2" SERIES 451 CENTER GLAZED STOREFRONT



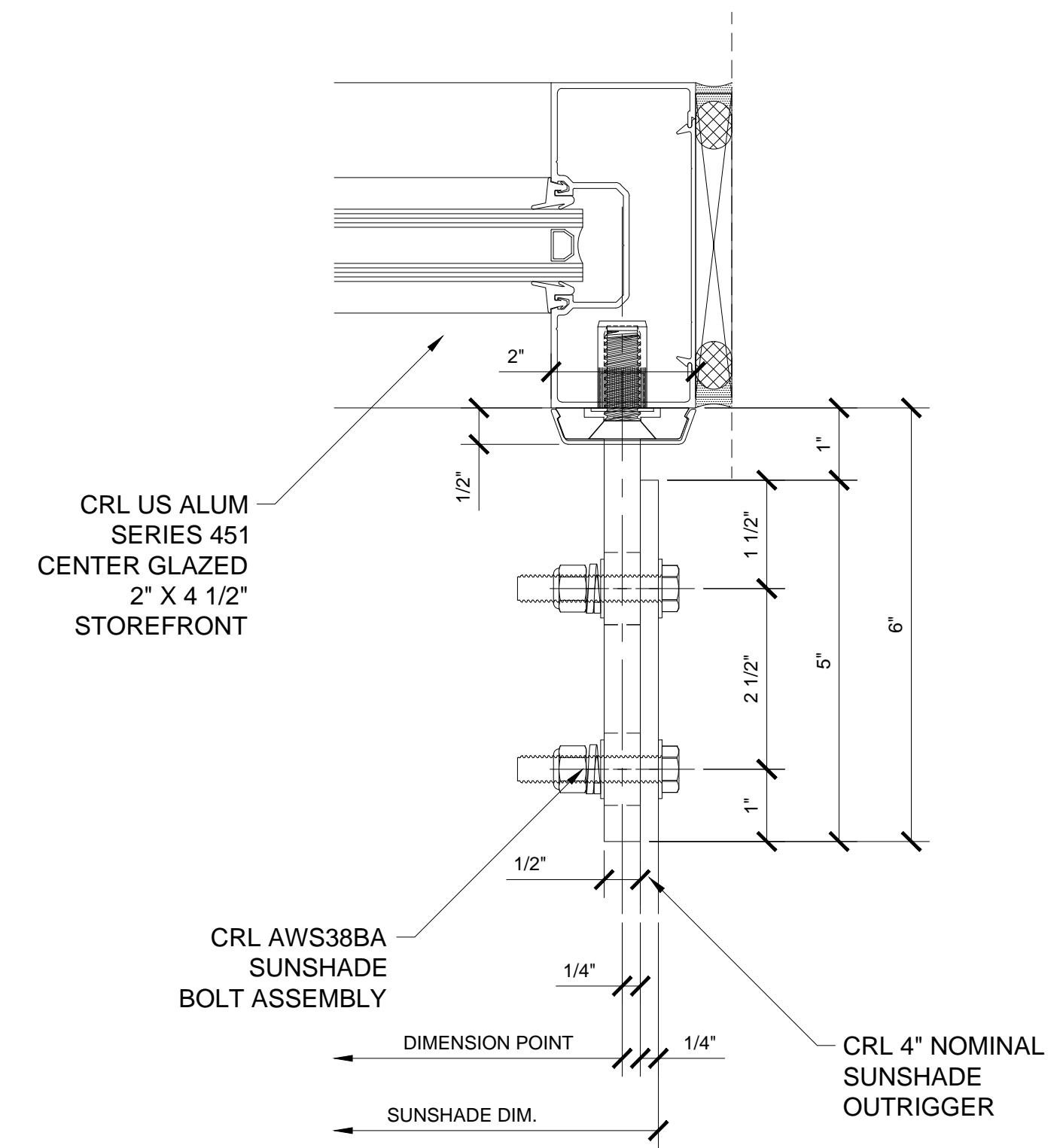
TYPICAL JAMB 4" BRACKET DETAILS

CRL AWSB5US4 STOREFRONT SURFACE MOUNT BRACKET



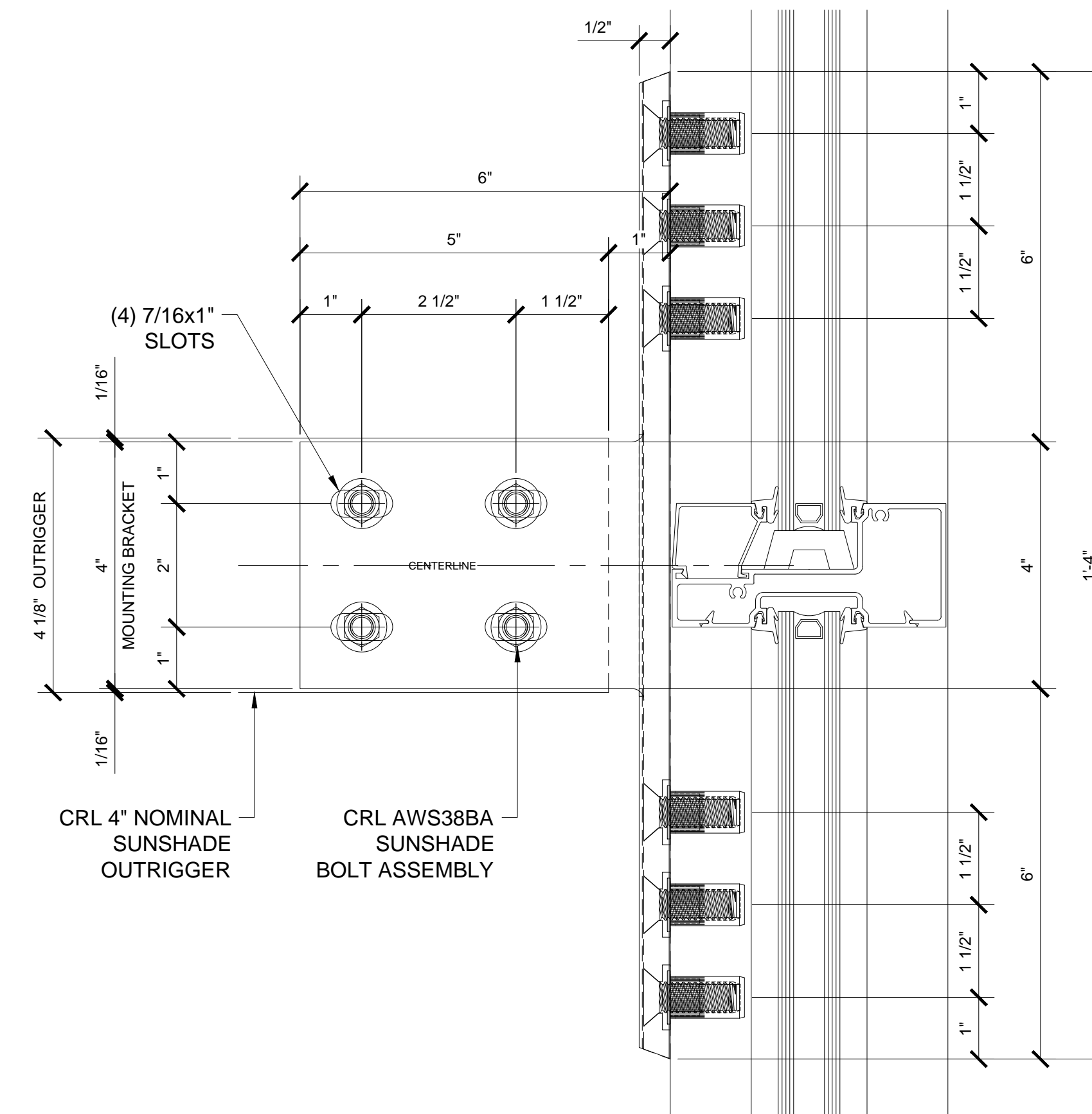
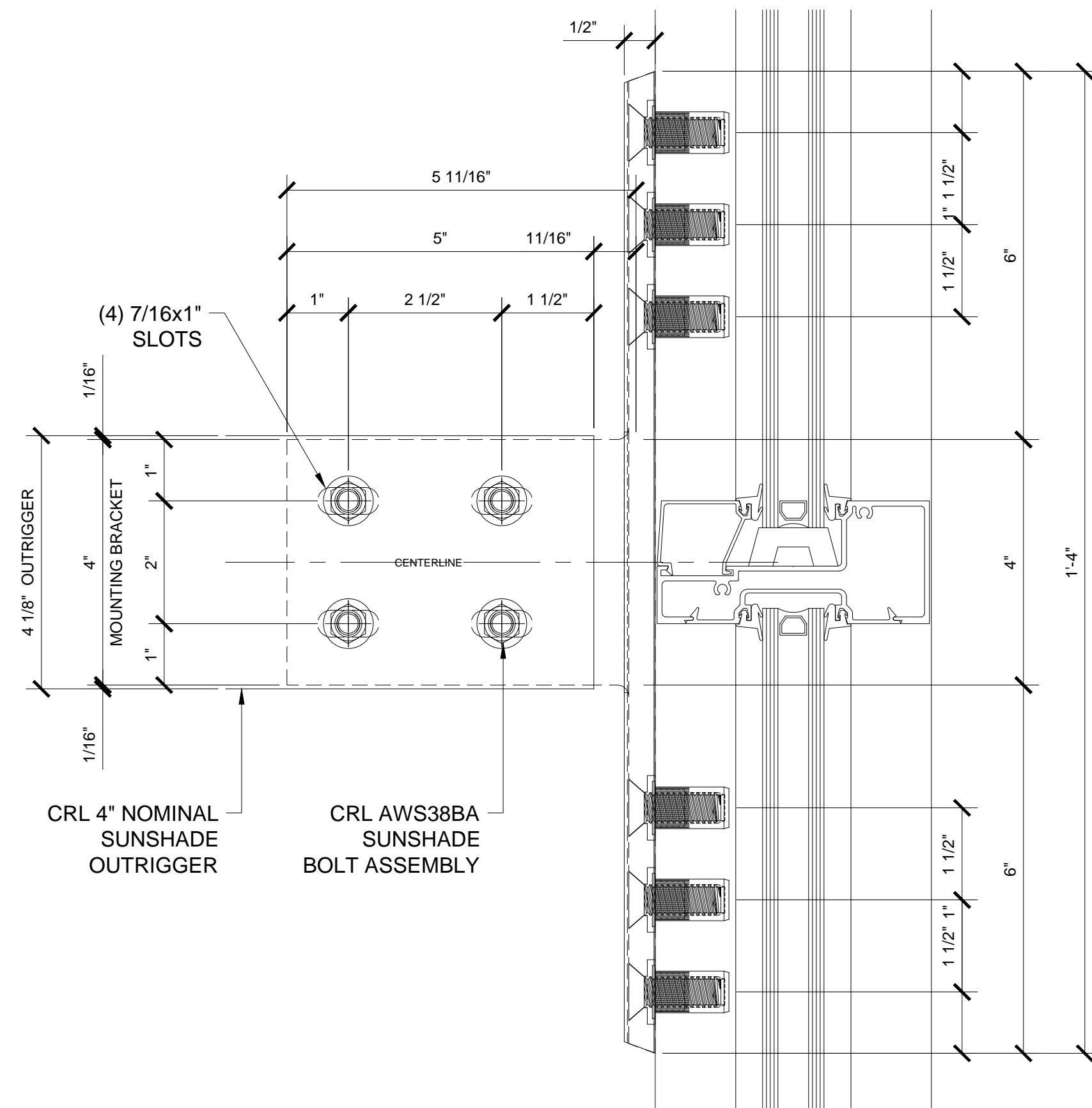
TYPICAL INTERMEDIATE 4" BRACKET DETAILS

CRL AWSB5US4 STOREFRONT SURFACE MOUNT BRACKET



TYPICAL JAMB 4" BRACKET DETAILS

CRL AWSB5US4 STOREFRONT SURFACE MOUNT BRACKET



Revisions By:

Description:
CRL U.S. ALUMINUM
ARCHITECTURAL
SUNSHADE SYSTEMS
SERIES 3600

Drawn By: VM
Date: 01/17/14
Scale: 6" = 1'-0"
File Name: CRLUSAL SS 3600 SF.dwg

Sheet