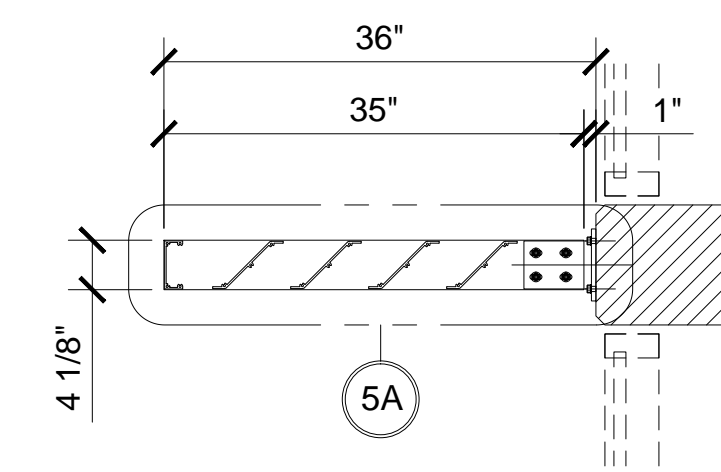
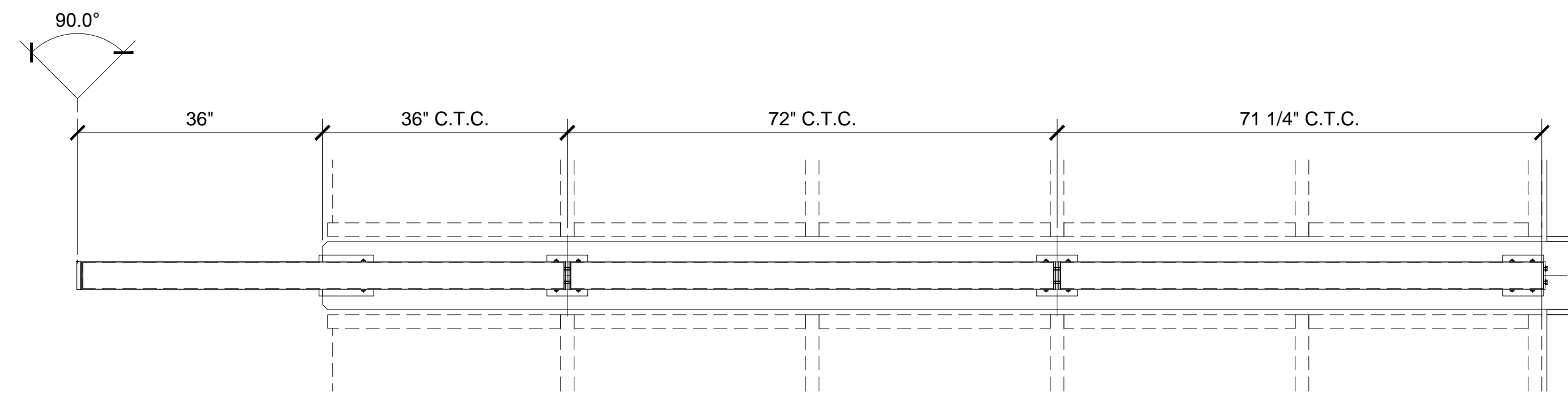
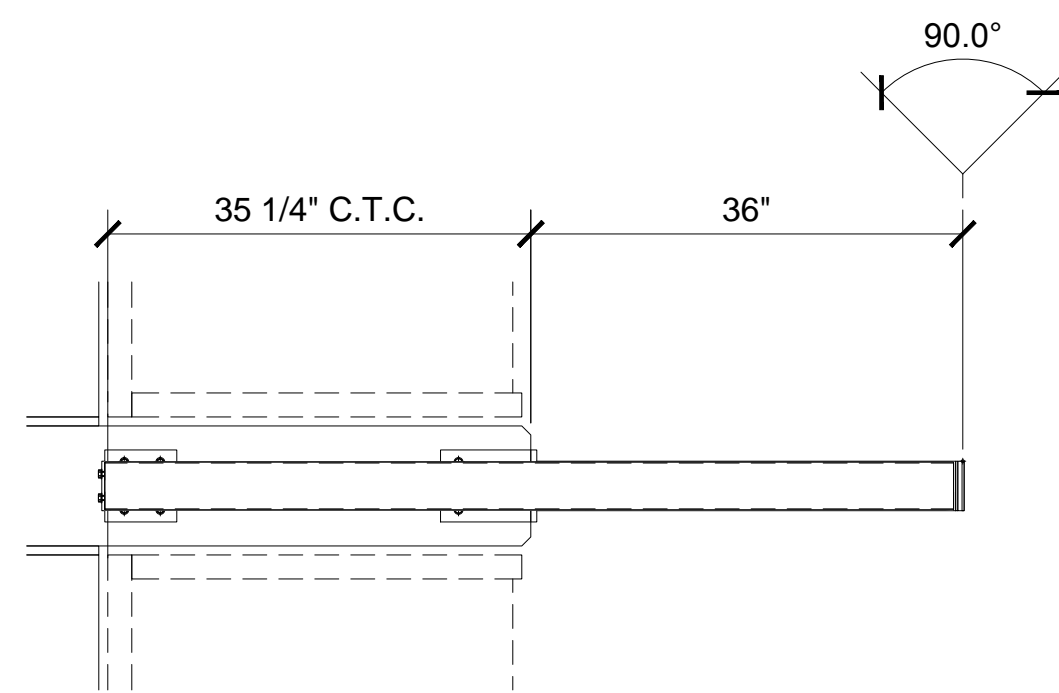


PLAN



ELEVATIONS

SECTION

## CRL US ALUMINUM SUNSHADE SYSTEM 1240 SERIES

4" TALL SQUARE OUTRIGGER WITH 1X4" RECTANGULAR FASCIA AND 1X4" "Z" INFILL BLADES

### OUTRIGGER

- 9 STANDARD OUTRIGGER STYLES
- \*OUTRIGGERS AVAILABLE IN FIVE STANDARD NOMINAL LENGTHS: 24", 30", 36", 42" AND 48"
- \* CUSTOM HEIGHTS AND LENGTHS ARE AVAILABLE
- \* CUSTOM CORNER OUTRIGGER ARE AVAILABLE

### FINISHES

- 5 STANDARD FINISHES:
- \* MILL
- \* SATIN ANODIZED
- \* DARK BRONZE ANODIZED
- \* POWDER COAT
- \* KYNAR PAINT

### MOUNTING BRACKET

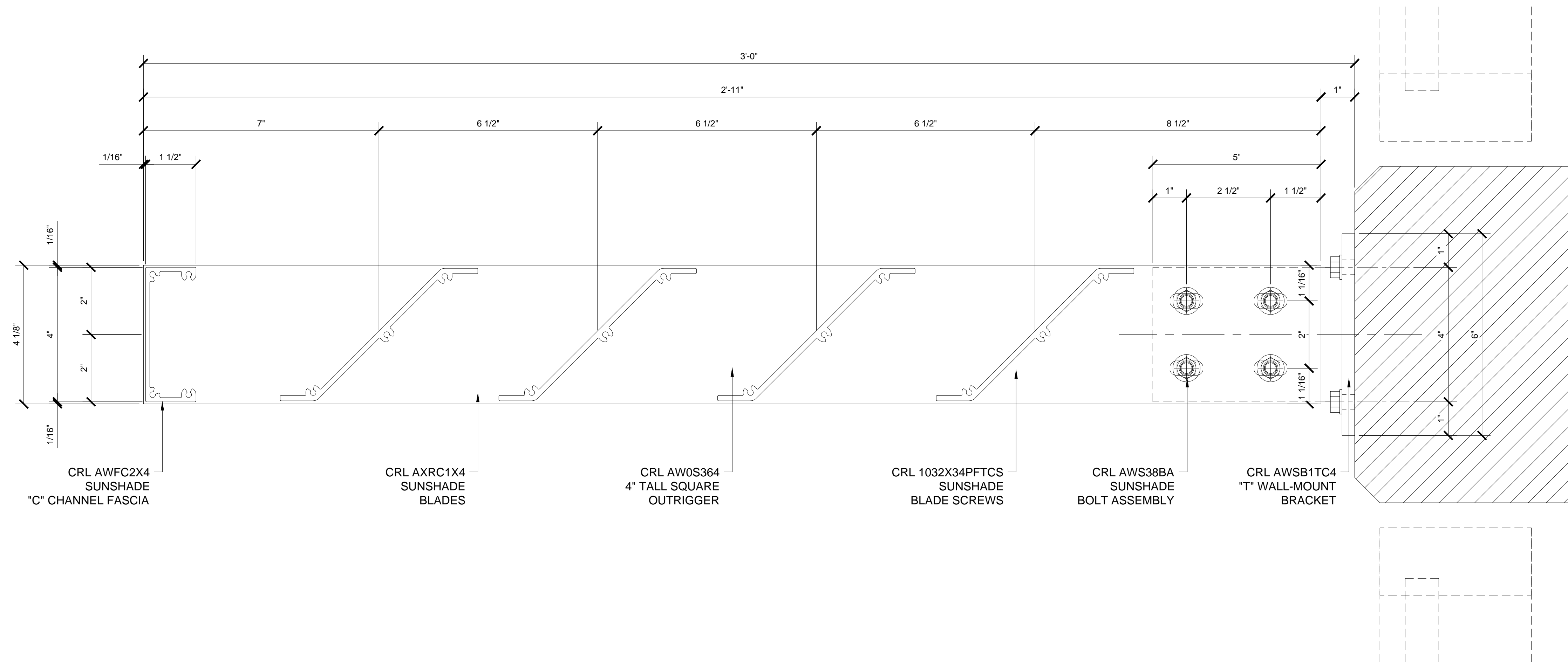
- \* 5 DIFFERENT MOUNTING OPTIONS
- WALL MOUNT BRACKET
- UNIVERSAL CURTAIN WALL MOUNT
- CURTAIN WALL MOUNT (MULLION WEB MOUNT)
- STRUCTURAL SILICONE CURTAIN WALL MOUNT
- STOREFRONT SURFACE MOUNT
- \* CUSTOM MOUNTING BRACKETS ARE AVAILABLE
- \* CUSTOM CORNER MOUNTING BRACKETS ARE AVAILABLE

### FASCIA

- \* 14 DIFFERENT FASCIA OPTIONS
- SQUARE TUBE FASCIA ( 2 STD. SIZES )
- "C" CHANNEL FASCIA ( 2 STD. SIZES )
- ROUND TUBE FASCIA ( 2 STD. SIZES )
- BULLNOSE FASCIA ( 2 STD. SIZES )
- 6" BULLNOSE
- 12" BULLNOSE
- TAPERED NOSE FASCIA
- TEAR DROP TWO-PIECE FASCIA
- SQUARE TWO-PIECE FASCIA
- ROUND TWO-PIECE FASCIA

### INFILL BLADES

- \* 37 DIFFERENT INFILL BLADE OPTIONS
- AIR FOIL BLADES ( 5 STD. SIZES )
- ROUND TUBE BLADES ( 5 STD. SIZES )
- SQUARE TUBE BLADES ( 5 STD. SIZES )
- RECTANGULAR TUBE BLADES ( 5 STD. SIZES )
- FLAT BAR EXTRUDED BLADES ( 12 STD. SIZES )
- 1/8" THICK BLADES ( 5 SIZES )
- 1/4" THICK BLADES ( 7 SIZES )
- "C", "S" AND "Z", EXTRUDED BLADES
- "C" SHAPED BLADES ( 1 SIZE )
- "S" SHAPED BLADES ( 2 SIZES )
- "Z" SHAPED BLADES ( 2 SIZES )



CRL AWFC2X4  
 SUNSHADE  
 "C" CHANNEL FASCIA

CRL AXRC1X4  
 SUNSHADE  
 BLADES

CRL AW0S364  
 4" TALL SQUARE  
 OUTRIGGER

CRL 1032X34PFTCS  
 SUNSHADE  
 BLADE SCREWS

CRL AWS38BA  
 SUNSHADE  
 BOLT ASSEMBLY

CRL AWSB1TC4  
 "T" WALL-MOUNT  
 BRACKET

**CRL 36" SUNSHADE SECTION DETAIL**

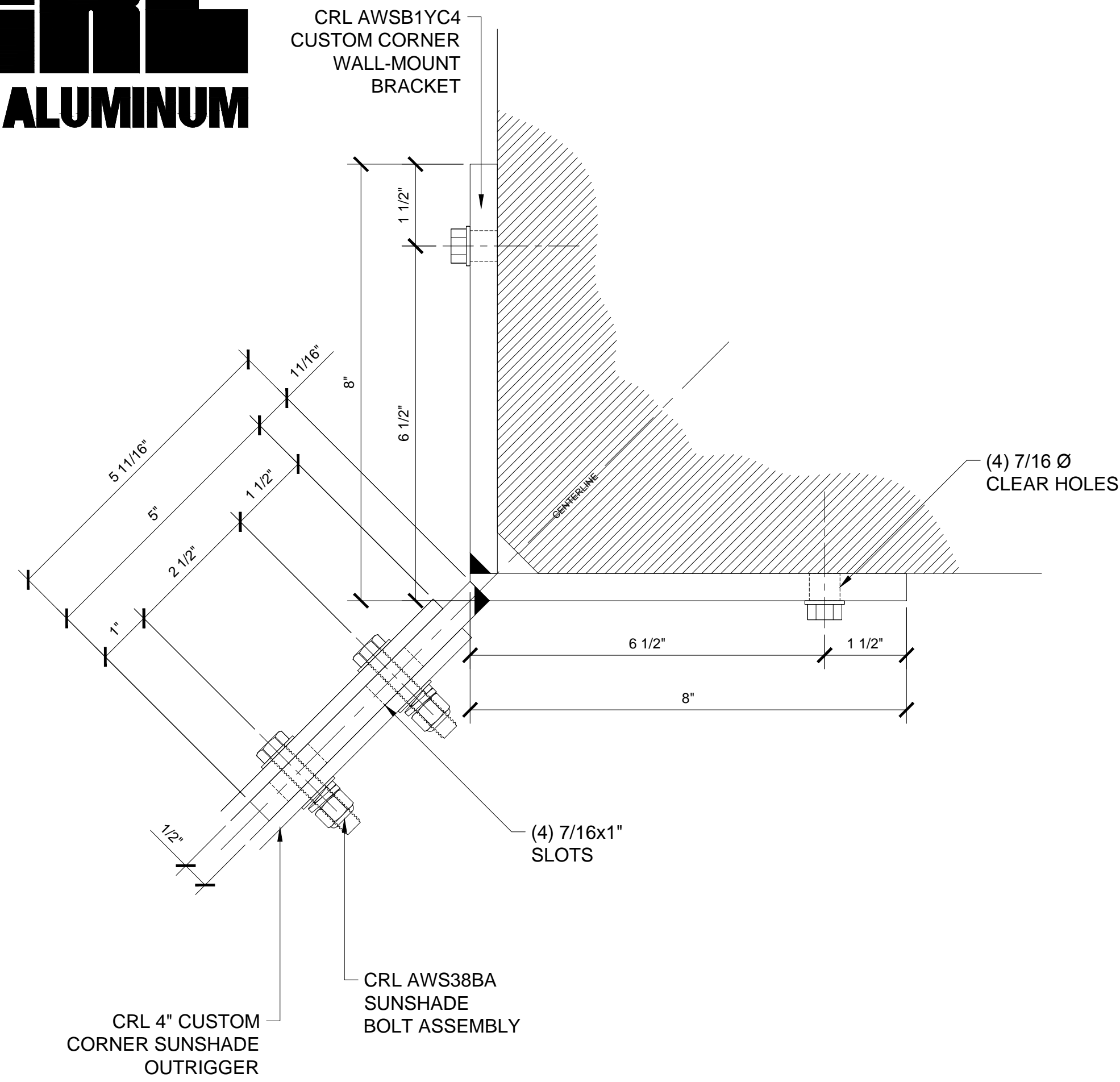
4" TALL SQUARE OUTRIGGER WITH 1X4" RECTANGULAR FASCIA AND 1X4" "Z" INFILL BLADES

Description:  
 CRL U.S. ALUMINUM  
 ARCHITECTURAL  
 SUNSHADE SYSTEMS  
 SERIES 1240

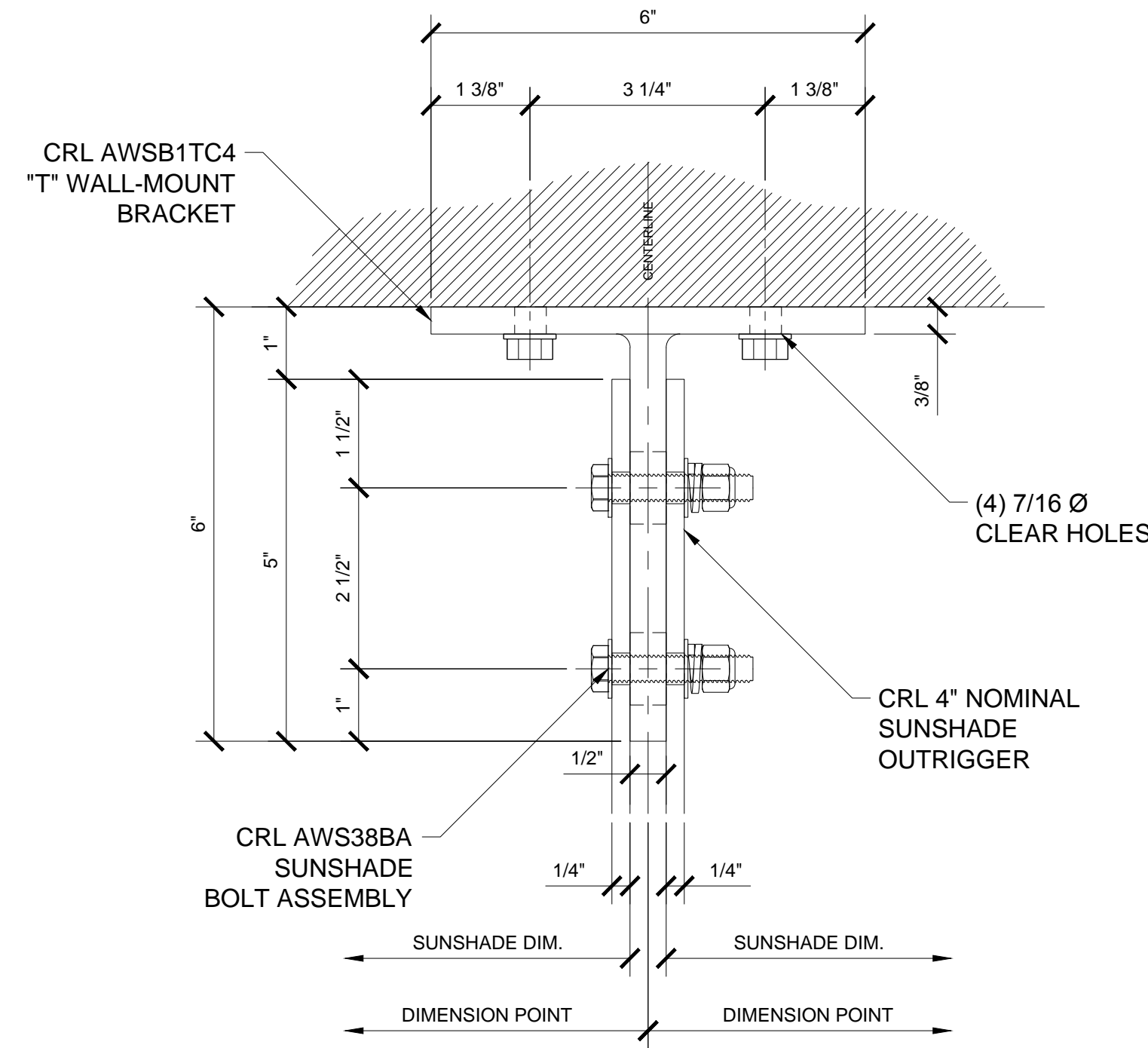
Drawn By: VM  
 Date: 01/17/14  
 Scale: 6" = 1'-0"  
 File Name: CRLUSAL SS 1240.dwg

Sheet

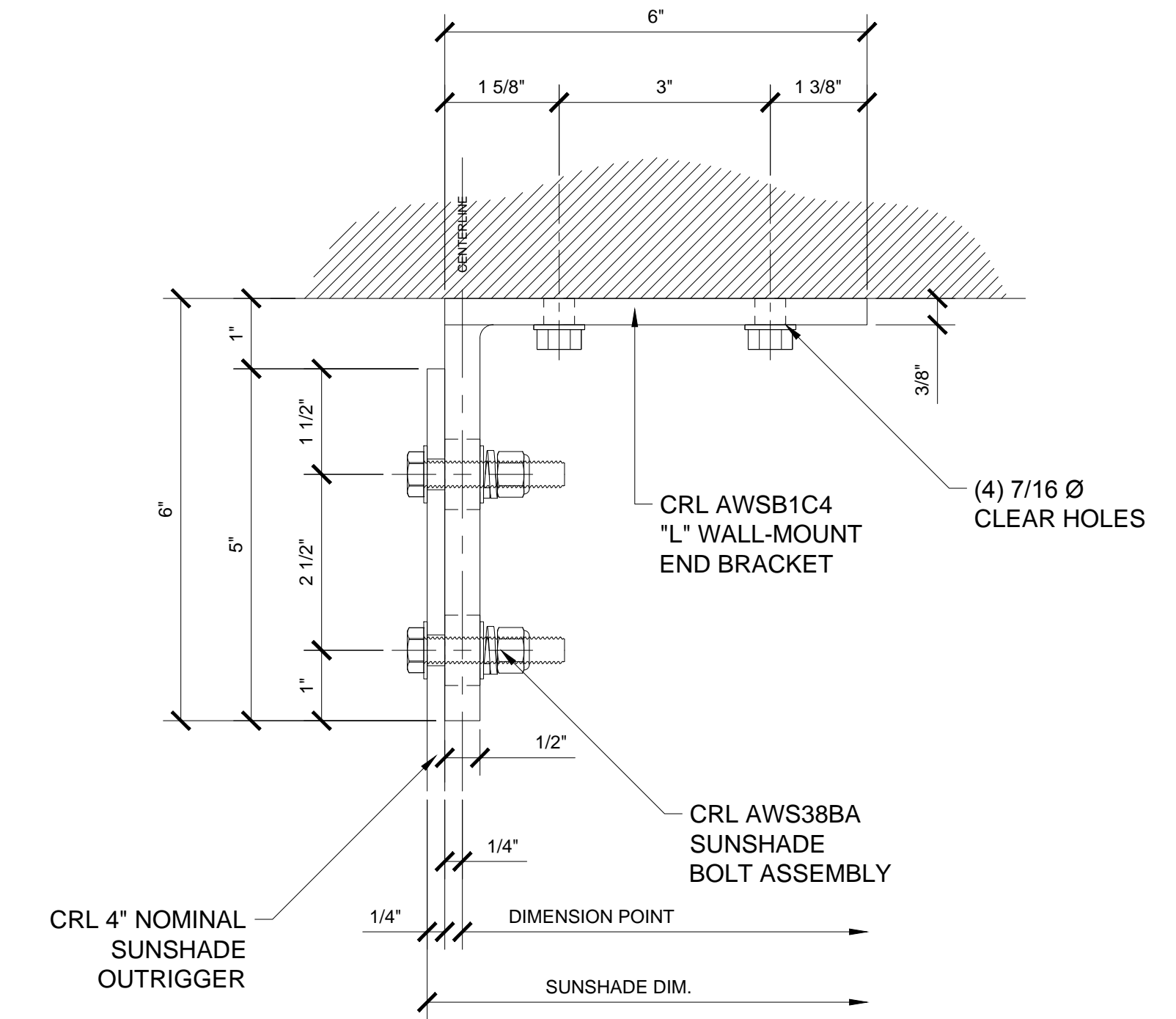
**5A**



**TYPICAL CORNER 4" BRACKET DETAILS**  
CRL AWSB1YC4 CUSTOM CORNER WALL MOUNT BRACKET



**TYPICAL INTERMEDIATE 4" BRACKET DETAILS**  
CRL AWSB1TC4 "T" WALL MOUNT BRACKET



**TYPICAL END 4" BRACKET DETAILS**  
CRL AWSB1C4 "L" WALL MOUNT END BRACKET

