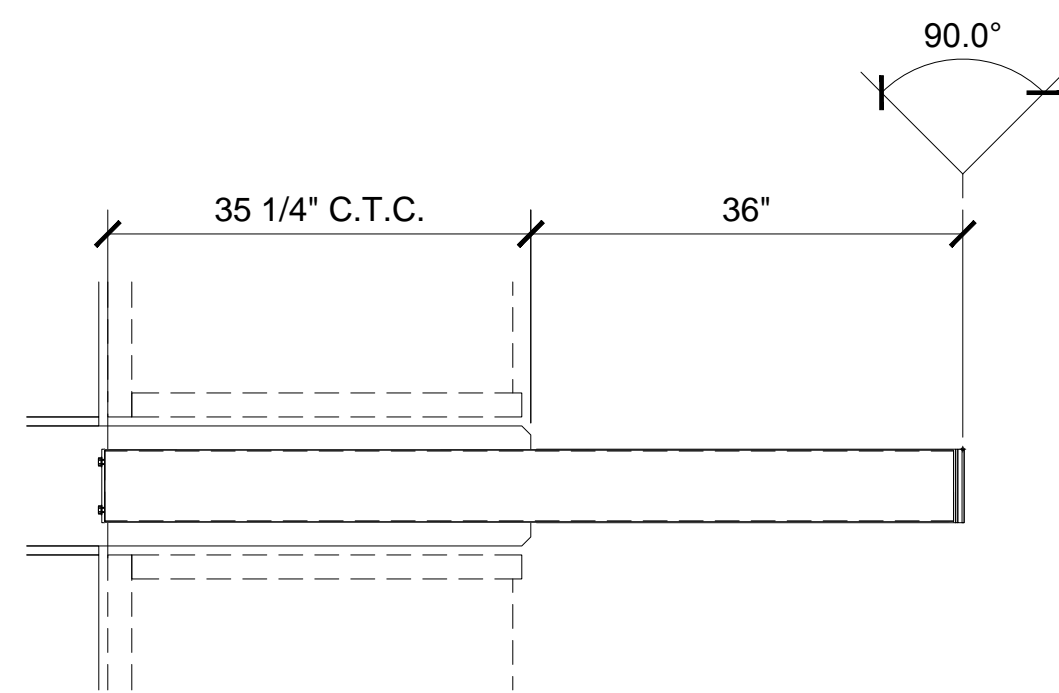
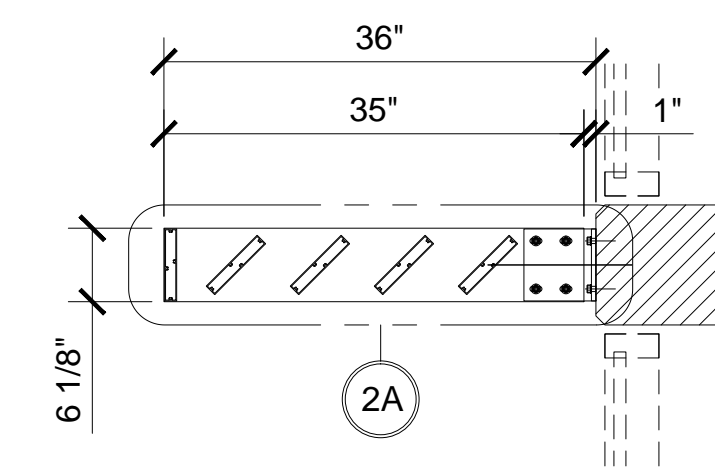
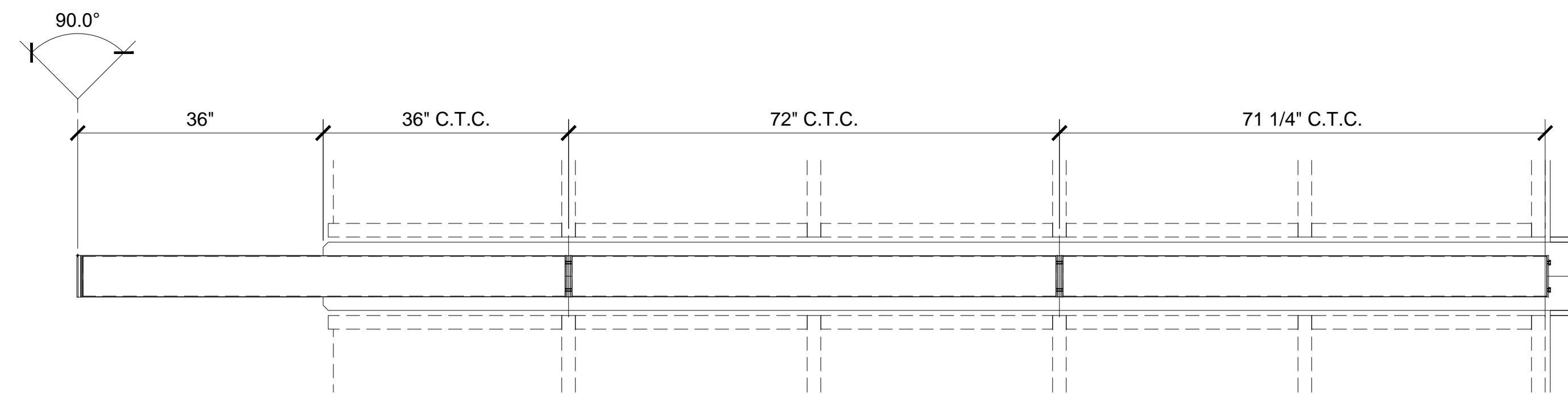


PLAN



ELEVATIONS



SECTION

## CRL US ALUMINUM SUNSHADE SYSTEM 1210 SERIES

6" SQUARE OUTRIGGER WITH 1X6" RECTANGULAR FASCIA AND INFILL BLADES

### OUTRIGGER

- 9 STANDARD OUTRIGGER STYLES
- \*OUTRIGGERS AVAILABLE IN FIVE STANDARD NOMINAL LENGTHS: 24", 30", 36", 42" AND 48"
- \* CUSTOM HEIGHTS AND LENGTHS ARE AVAILABLE
- \* CUSTOM CORNER OUTRIGGER ARE AVAILABLE

### FINISHES

- 5 STANDARD FINISHES:
  - \* MILL
  - \* SATIN ANODIZED
  - \* DARK BRONZE ANODIZED
  - \* POWDER COAT
  - \* KYNAR PAINT

### MOUNTING BRACKET

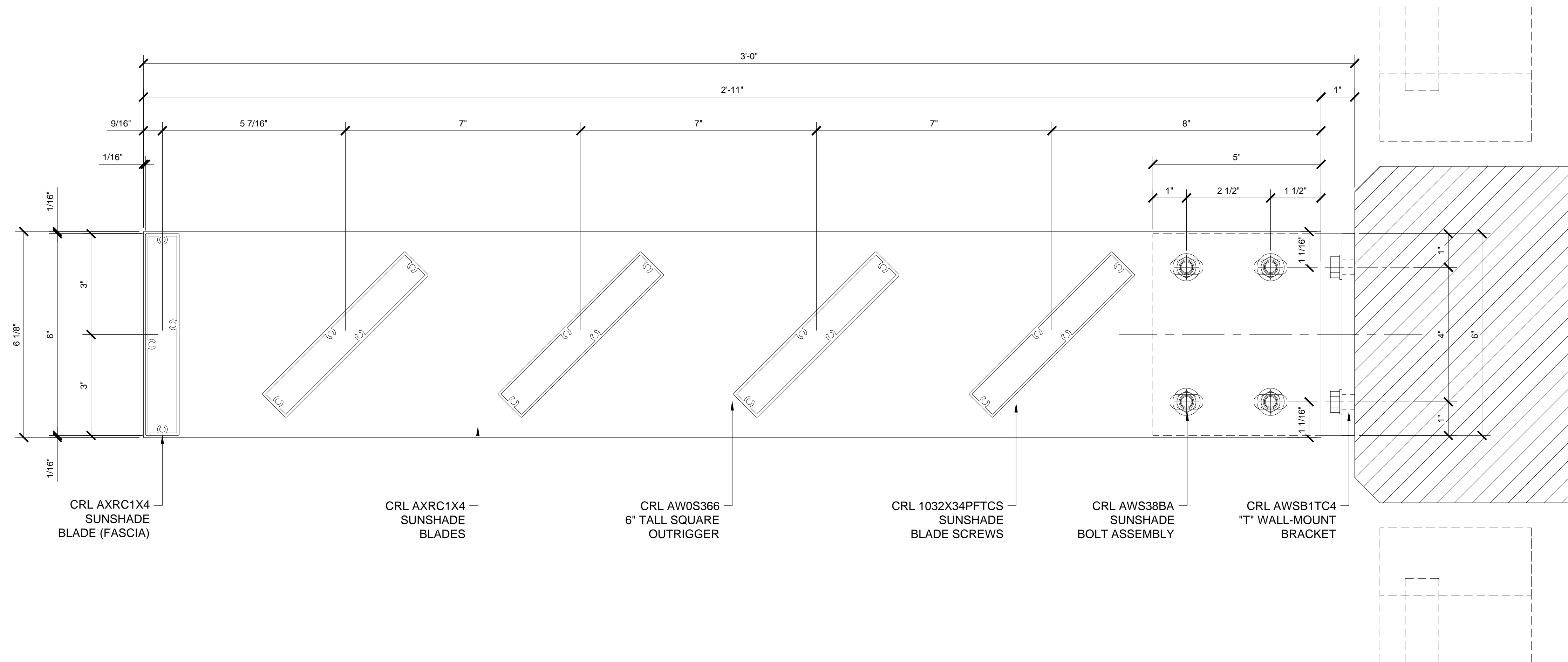
- \* 5 DIFFERENT MOUNTING OPTIONS
- WALL MOUNT BRACKET
- UNIVERSAL CURTAIN WALL MOUNT
- CURTAIN WALL MOUNT (MULLION WEB MOUNT)
- STRUCTURAL SILICONE CURTAIN WALL MOUNT
- STOREFRONT SURFACE MOUNT
- \* CUSTOM MOUNTING BRACKETS ARE AVAILABLE
- \* CUSTOM CORNER MOUNTING BRACKETS ARE AVAILABLE

### FASCIA

- \*14 DIFFERENT FASCIA OPTIONS
- SQUARE TUBE FASCIA ( 2 STD. SIZES )
- "C" CHANNEL FASCIA ( 2 STD. SIZES )
- ROUND TUBE FASCIA ( 2 STD. SIZES )
- BULLNOSE FASCIA ( 2 STD. SIZES )
- 6" BULLNOSE
- 12" BULLNOSE
- TAPERED NOSE FASCIA
- TEAR DROP TWO-PIECE FASCIA
- SQUARE TWO-PIECE FASCIA
- ROUND TWO-PIECE FASCIA

### INFILL BLADES

- \* 37 DIFFERENT INFILL BLADE OPTIONS
- AIR FOIL BLADES ( 5 STD. SIZES )
- ROUND TUBE BLADES ( 5 STD. SIZES )
- SQUARE TUBE BLADES ( 5 STD. SIZES )
- RECTANGULAR TUBE BLADES ( 5 STD. SIZES )
- FLAT BAR EXTRUDED BLADES ( 12 STD. SIZES )
- 1/8" THICK BLADES ( 5 SIZES )
- 1/4" THICK BLADES ( 7 SIZES )
- "C", "S" AND "Z", EXTRUDED BLADES
- "C" SHAPED BLADES ( 1 SIZE )
- "S" SHAPED BLADES ( 2 SIZES )
- "Z" SHAPED BLADES ( 2 SIZES )



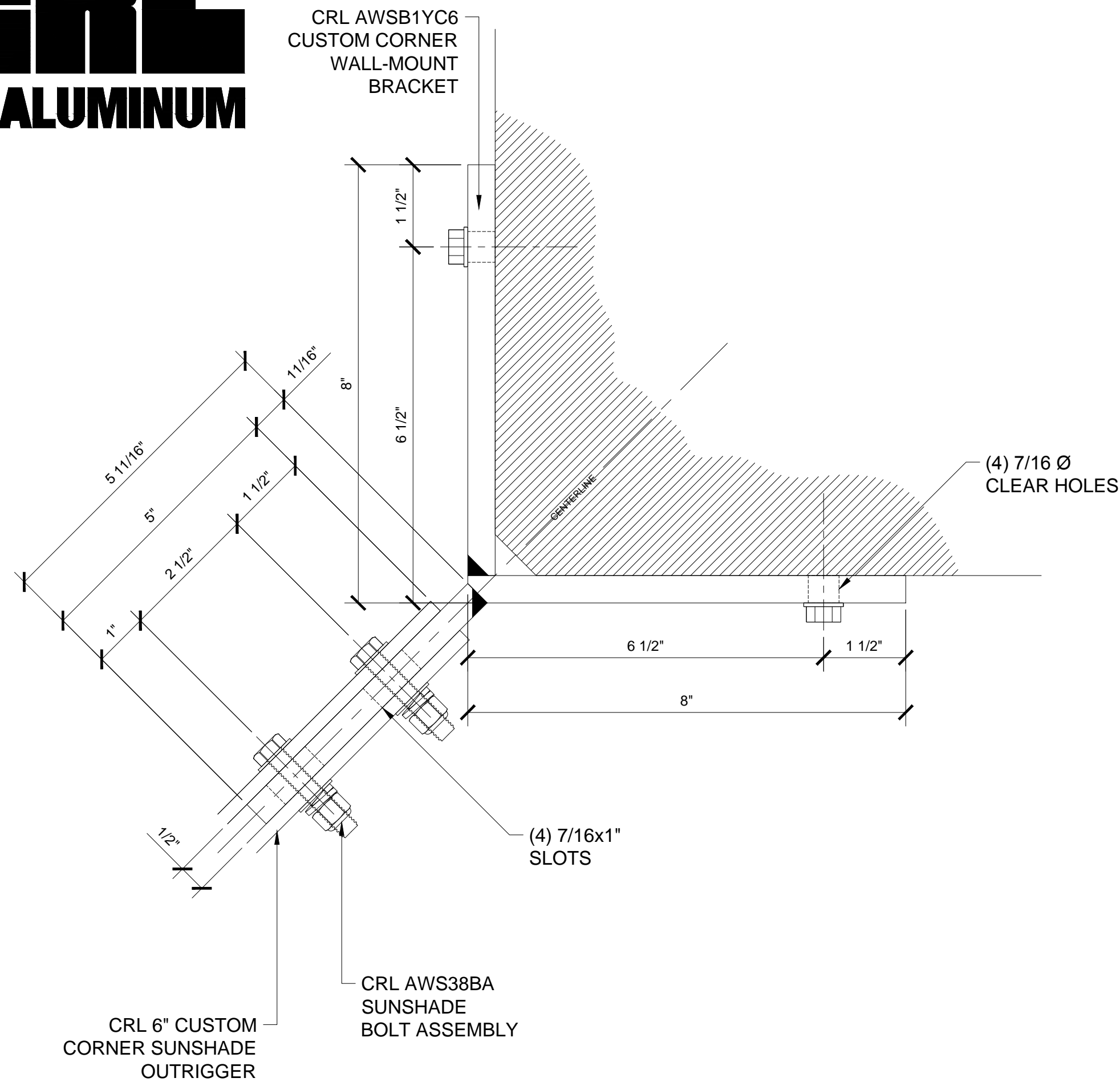
Discription:  
CRL U.S. ALUMINUM  
ARCHITECTURAL  
SUNSHADE SYSTEMS  
SERIES 1210

Drawn By: VM  
Date: 01/17/14  
Scale: 6" = 1'-0"  
File Name: CRLUSAL SS 12106.dwg

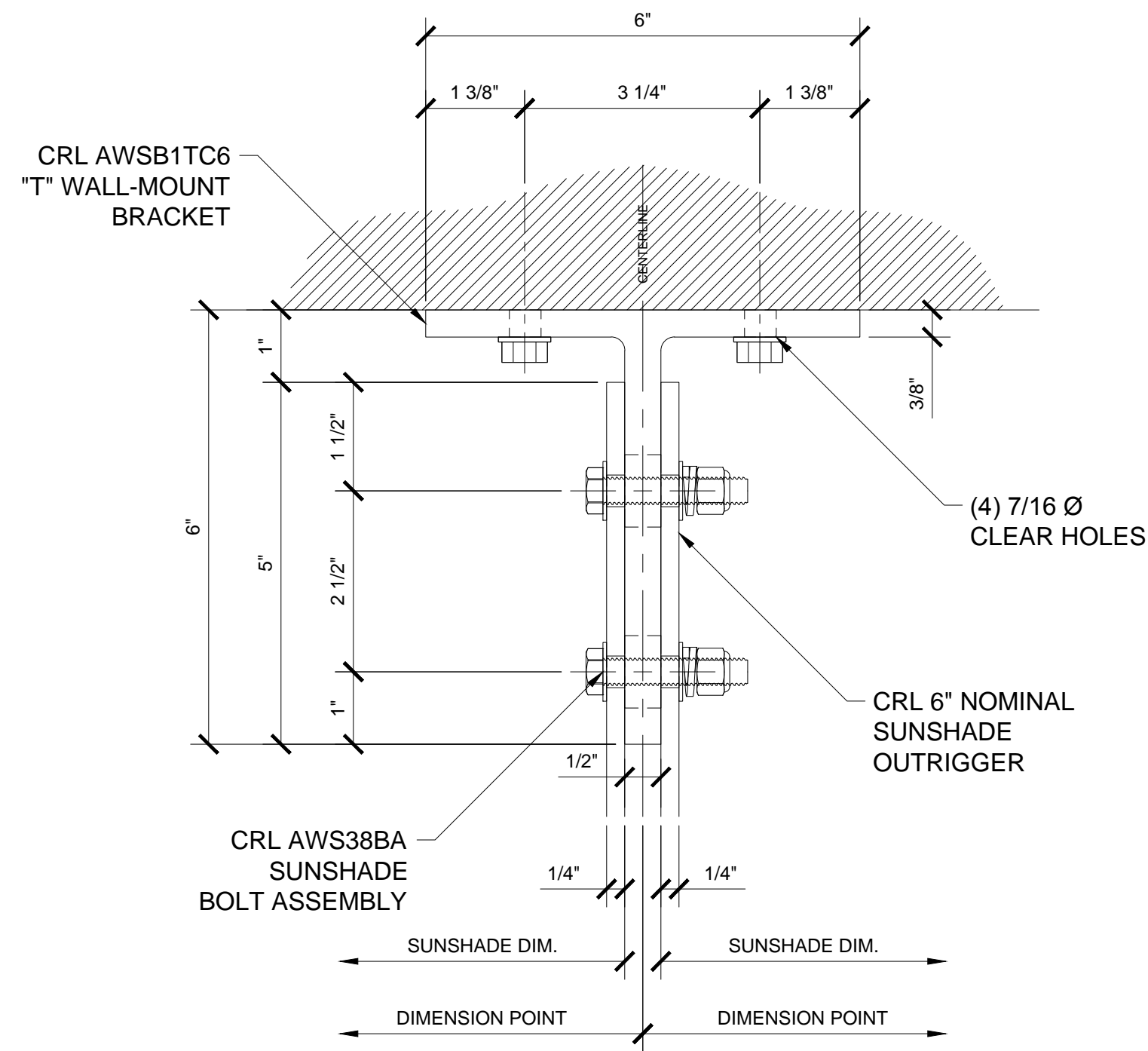
Sheet

2A

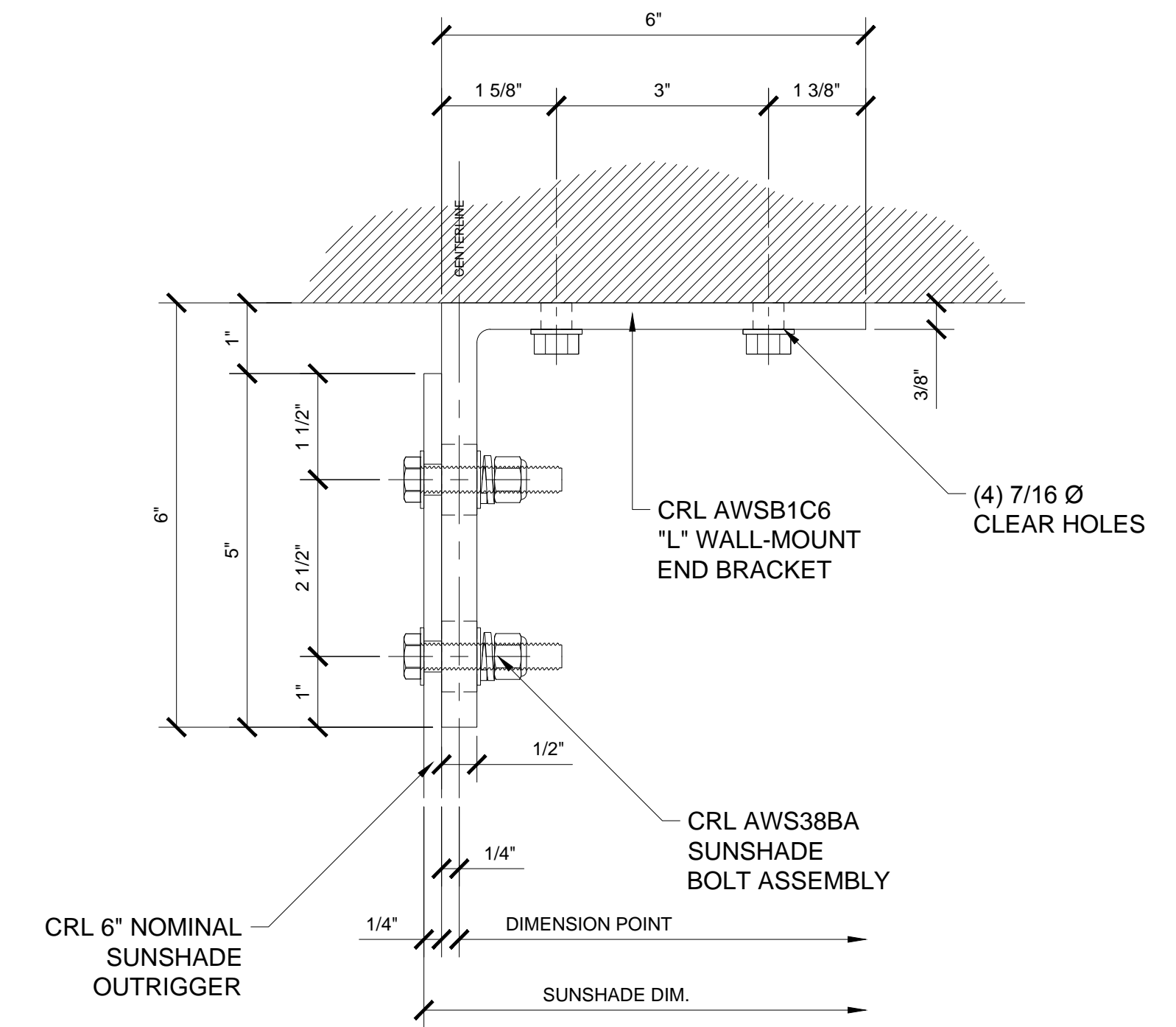
**CRL 36" SUNSHADE SECTION DETAIL**  
**6" TALL SQUARE OUTRIGGER WITH 1X6" RECTANGULAR FASCIA AND INFILL BLADES**



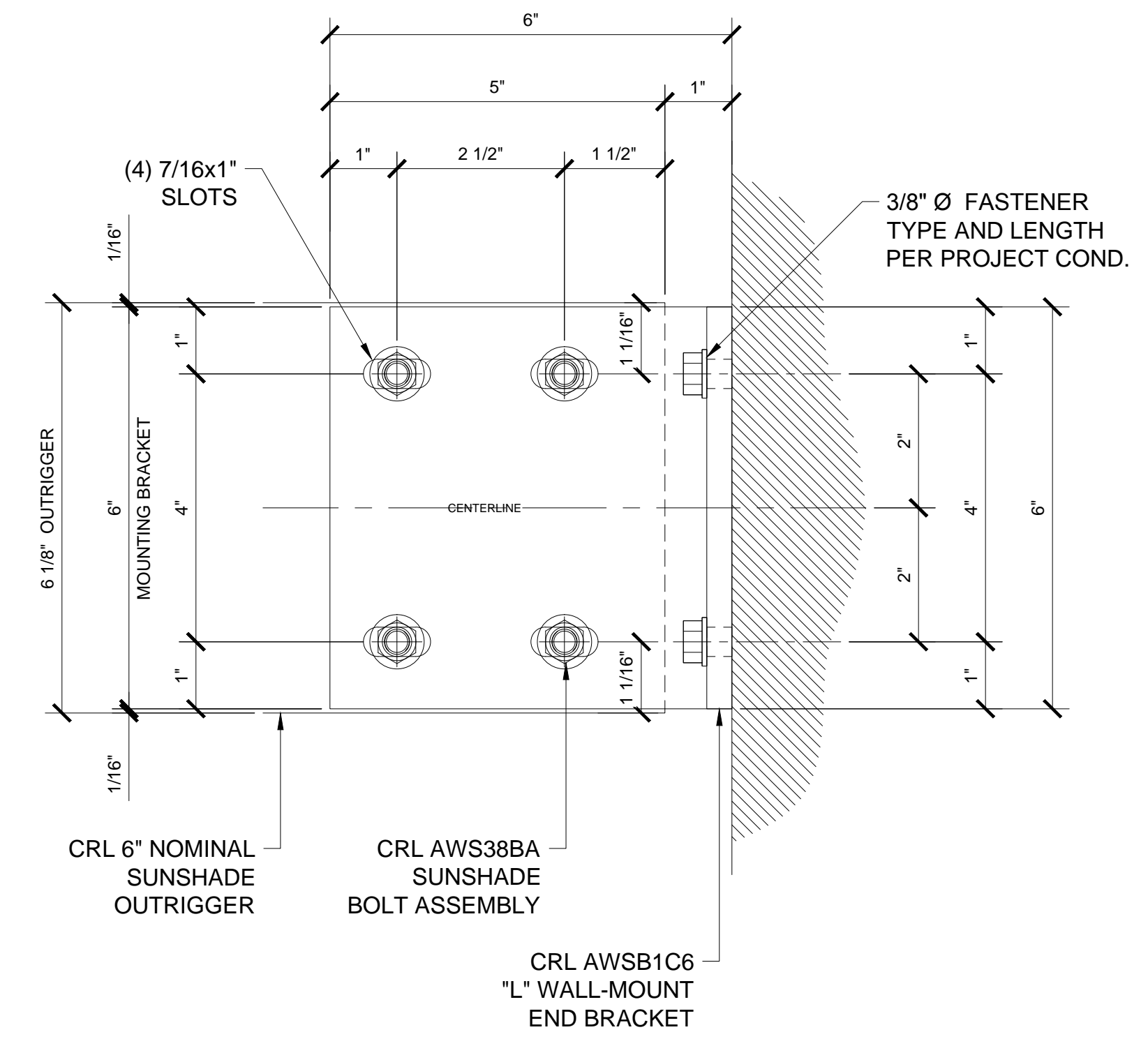
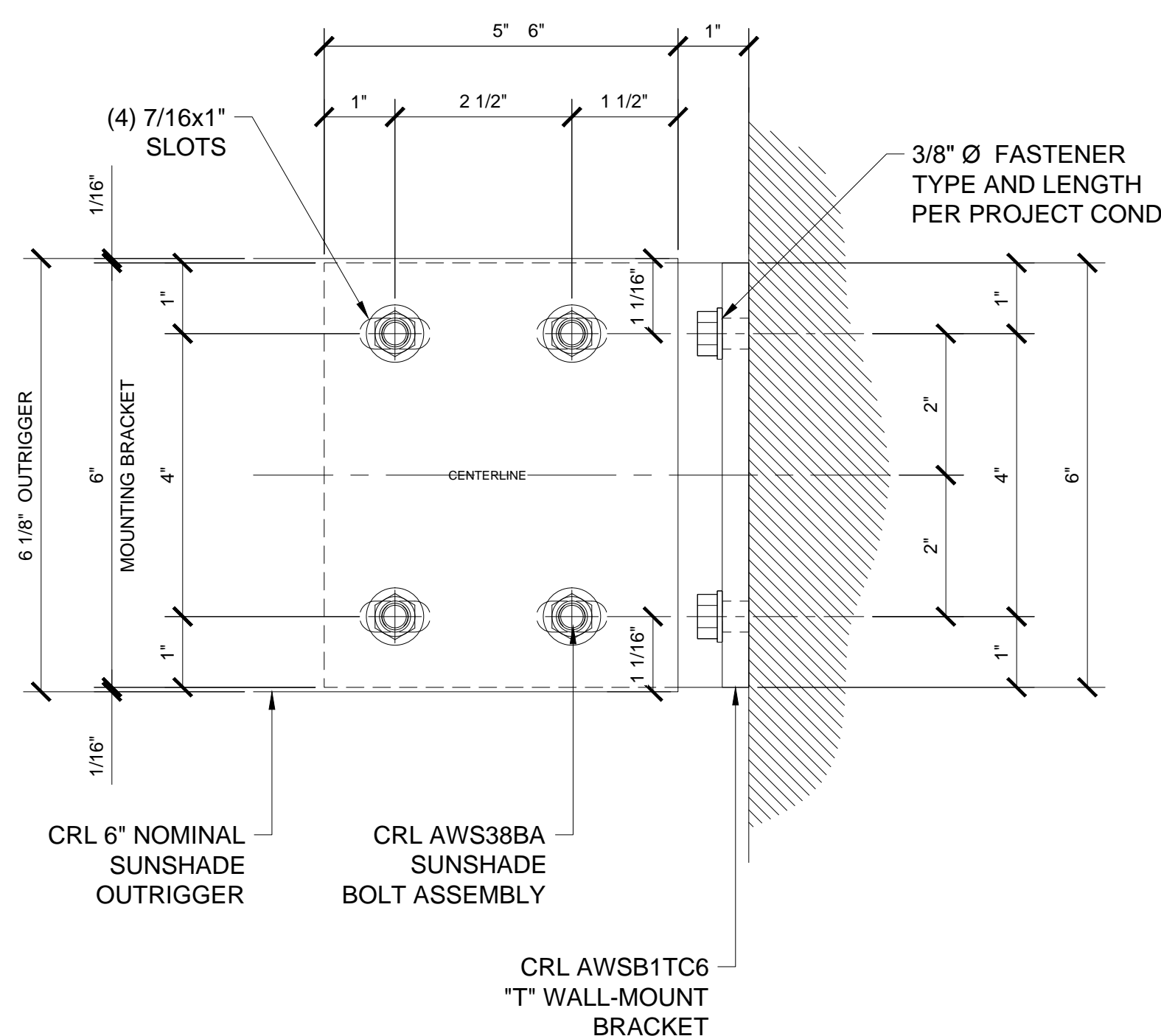
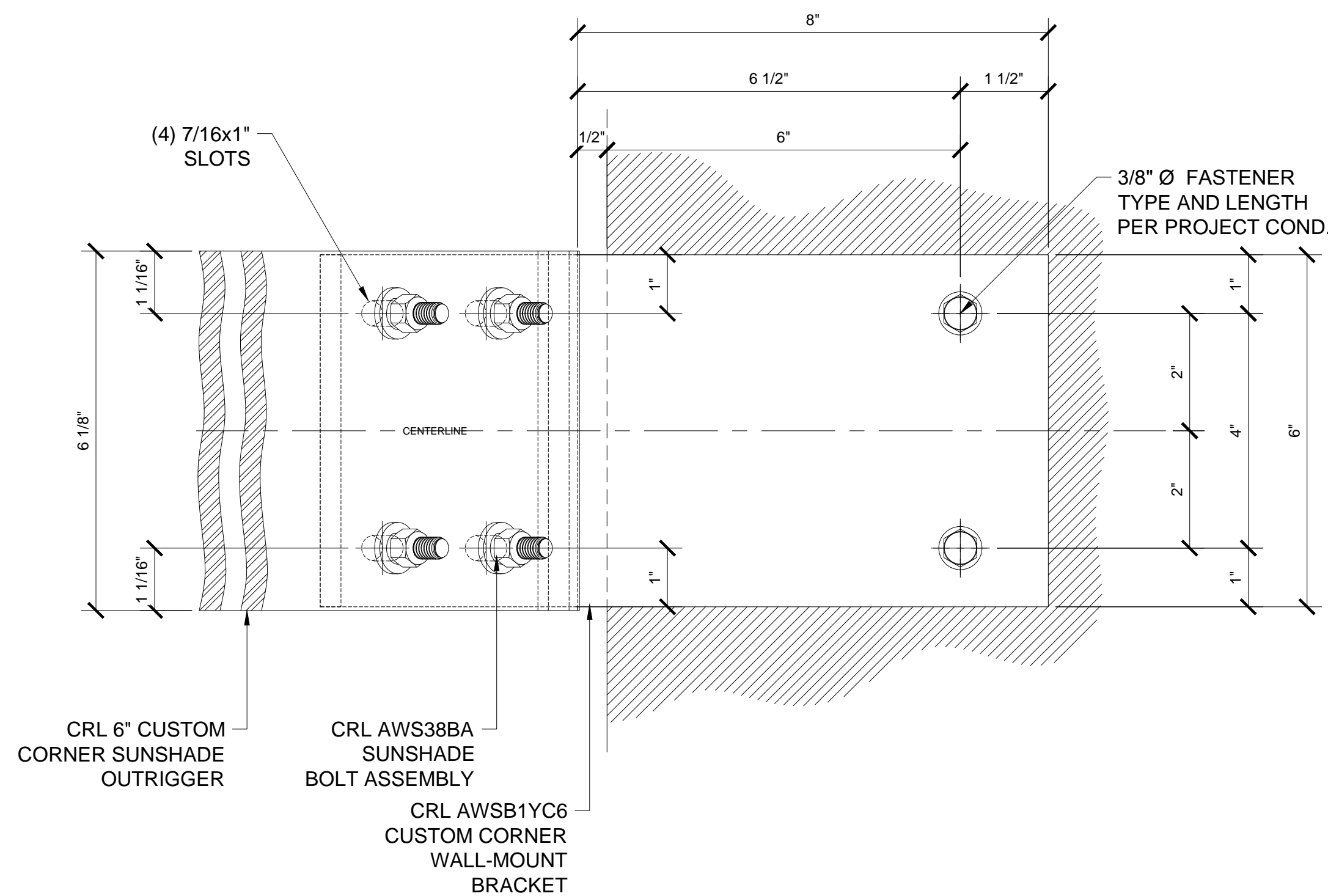
**TYPICAL CORNER 6" BRACKET DETAILS**  
CRL AWSB1YC6 CUSTOM CORNER WALL MOUNT BRACKET



**TYPICAL INTERMEDIATE 6" BRACKET DETAILS**  
CRL AWSB1TC6 "T" WALL MOUNT BRACKET



**TYPICAL END 6" BRACKET DETAILS**  
CRL AWSB1C6 "L" WALL MOUNT END BRACKET



Revisions By:

Discription:  
CRL U.S. ALUMINUM  
ARCHITECTURAL  
SUNSHADE SYSTEMS  
SERIES 1210

Drawn By: VM  
Date: 01/17/14  
Scale: 6 = 1'-0"  
File Name: CRLUSAL SS 12106.dwg

Sheet