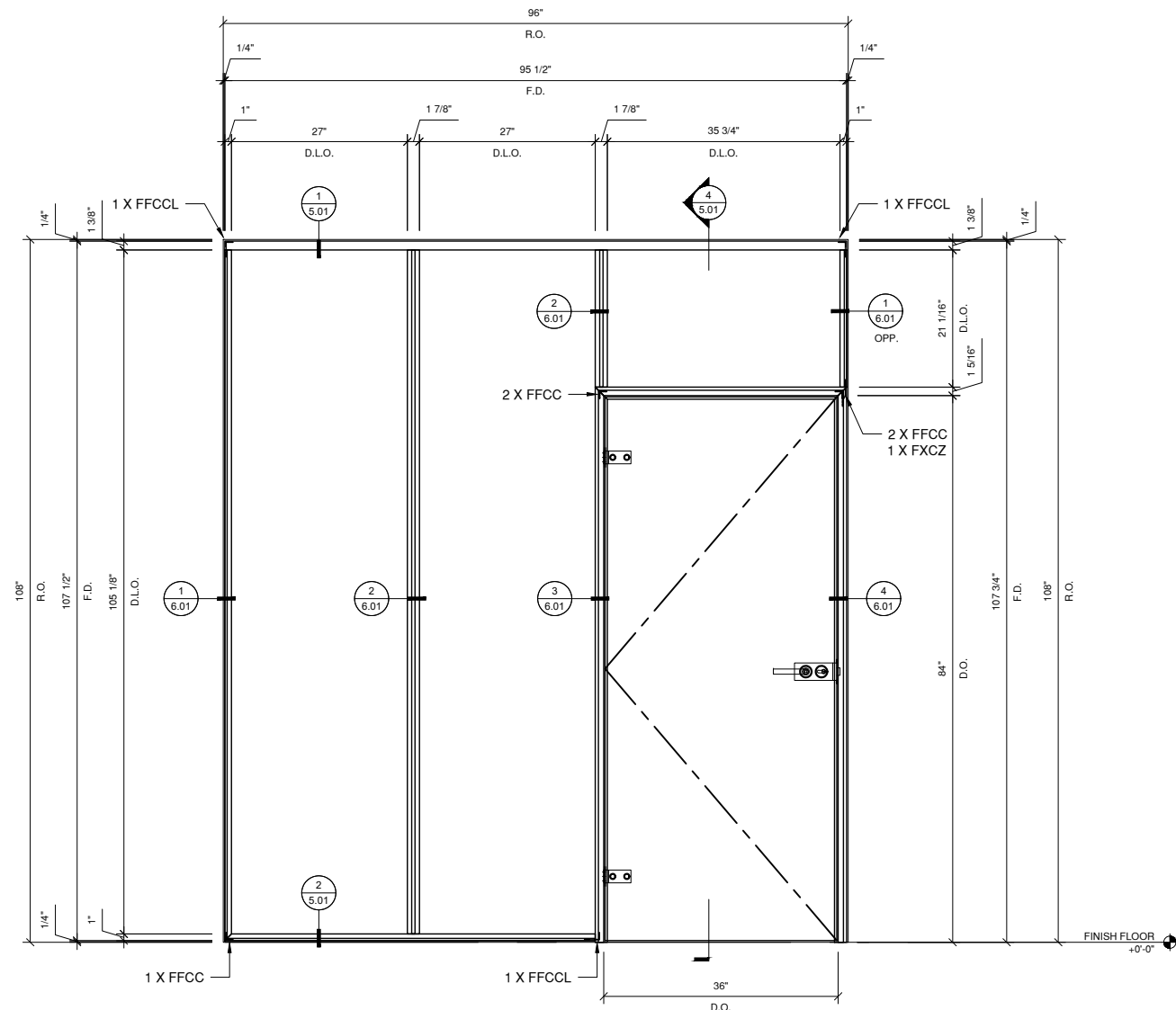


CRL FALLBROOK XL SERIES WITH ALL GLASS DOOR

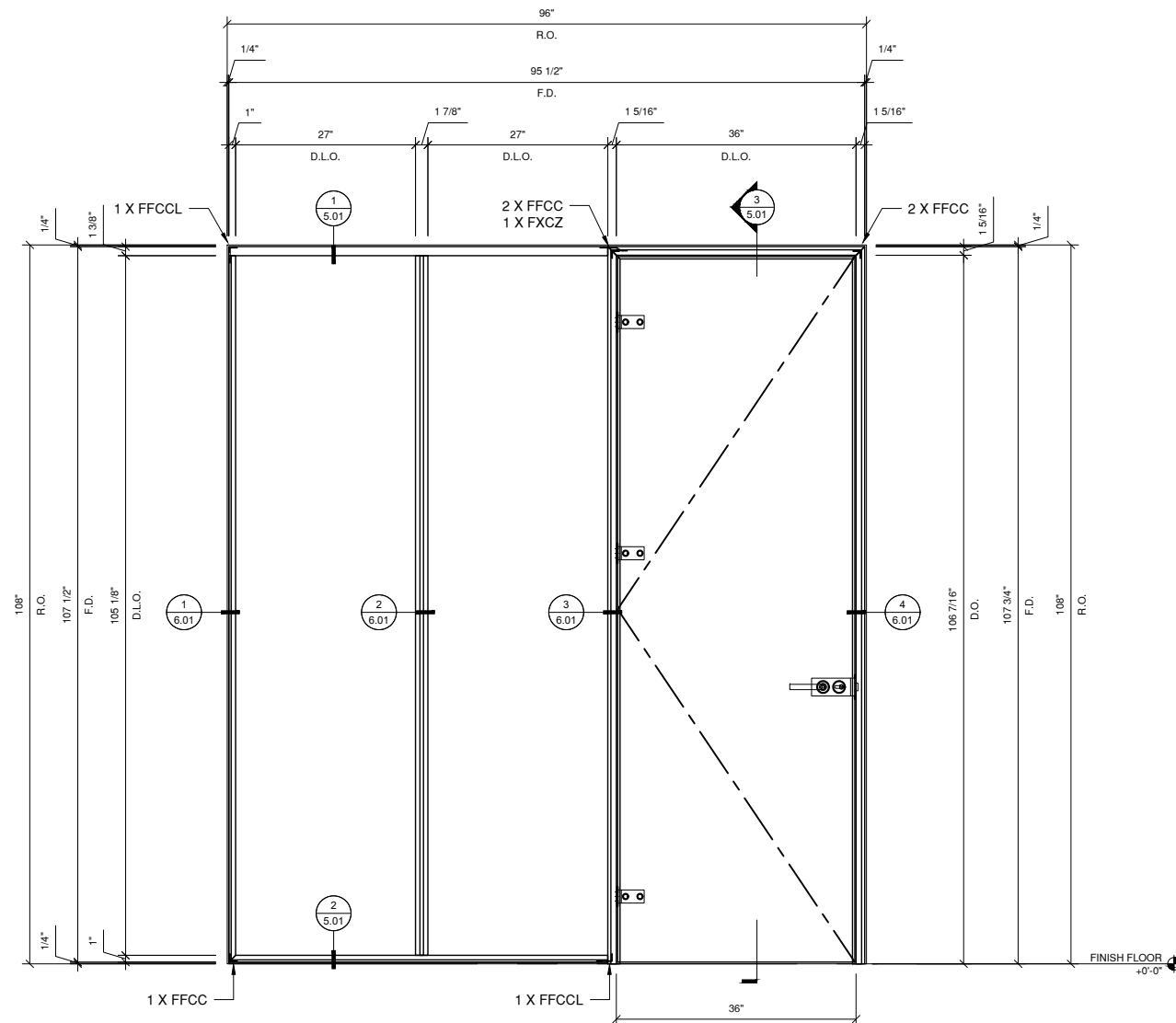
THE FALLBROOK XL SERIES USES MONOLITHIC TEMPERED GLASS ON THE DOORS, INSULATING GLASS CAN BE USED ON THE FIXED PANELS TO REDUCE SOUND TRANSMISSION AND KEEP NOISE TO A MINIMUM. THE FRONT LOAD DRY GLAZING DOES NOT HAVE EXPOSED FASTENERS, AND THE NARROW PROFILE FRAMES ALLOW CREATION OF A FLOATING APPEARANCE, THUS PROVIDING MORE OF THE 'ALL-GLASS' LOOK DESIRED BY MORE DESIGNERS AND ARCHITECTS WHO WANT TO MINIMIZE THE HARDWARE AND EXPOSE MORE GLASS. FOR ADDITIONAL INFORMATION, PLEASE VISIT US ONLINE AT CRLAURENCE.COM/OFFICE-PARTITIONS OR CONTACT TECHNICAL SALES AT (800) 421-6144 IN THE U.S., (877) 421-6144 FROM CANADA, OR (323) 588-1281 INTERNATIONAL. ASK FOR EXTENSION 7770. YOU CAN ALSO SEND EMAIL TO PARTITIONS@CRLAURENCE.COM.

STRUCTURAL DISCLAIMER:

ALL CUSTOMERS WHO IN ANY WAY UTILIZE THIS PRODUCT ARE SOLELY RESPONSIBLE TO CONSULT A STRUCTURAL ENGINEER TO DETERMINE THE SUITABILITY OF THE PRODUCT FOR THE INTENDED USE AND SITE CONDITIONS. ALL INSTALLERS MUST BE QUALIFIED AND HAVE PROFESSIONAL KNOWLEDGE ABOUT COMPLIANCE WITH LOCAL, STATE AND FEDERAL REGULATIONS, SAFETY FACTORS, AND THE APPROPRIATE CHOICE OF FIXING MATERIAL AND PROC

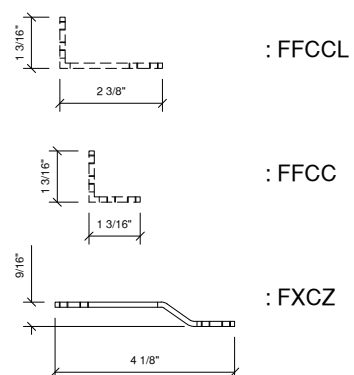


1 FALLBROOK XL SERIES ELEVATION W/ TRANSM
1" = 1'-0" ARCH. REF.: -/-



2 FALLBROOK XL SERIES ELEVATION W/O TRANSM
1" = 1'-0" ARCH. REF.: -/-

CLIP LEGEND:



- * ACCOMMODATES 13/16" (20mm), 7/8" (22mm), AND 1" (24mm) THK. GLASS FOR FIXED. ALSO 3/8" (10mm) AND 1/2" (12mm) THK. FOR DOOR
- * SATIN ANODIZED, BRUSHED NICKEL ANODIZED, OR MATTE BLACK FINISHES

Revisions By:

CRL

2503 E. Vernon Avenue, Los Angeles, CA 90059-1897
PH (800) 421-6144 FX: 800-587-7501 www.crlaurence.com

Description:
CRL FALLBROOK XL
SERIES PARTITION SYSTEM
FOR USE 3/8" OR 1/2" GLASS

Drawn By: NW
Date: 04/05/19
Scale: AS NOTED
File Name:
Fallbrook

Sheet

2.01

FALLBROOK, DOOR AND HINGE LIMITATION

Maximum door width = 36" (914mm)

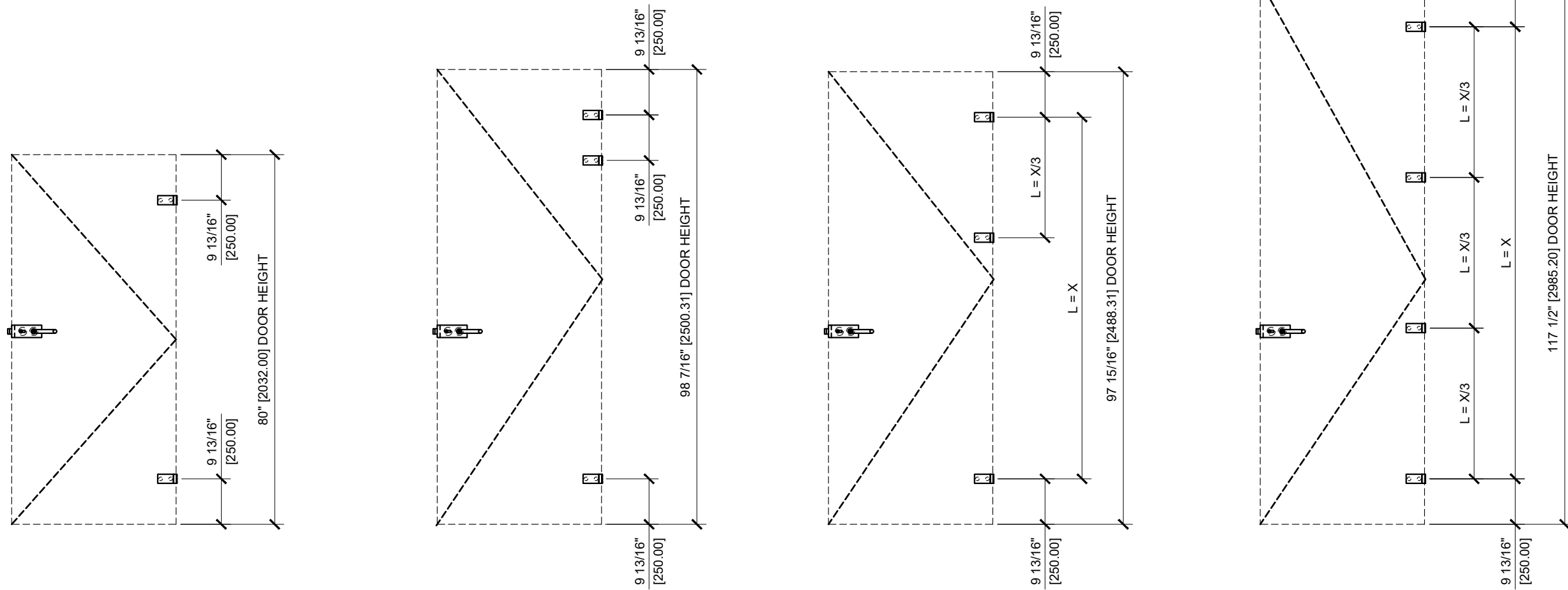
Maximum door height = 118" (2997mm)

Maximum door weight = 190lbs (86kg)

Number of hinges required:

- 2 hinges - door weight up to 110lbs (50kg) OR door height up to 80" (2032mm)
- 3 hinges - door weight over 110lbs (50kg) and up to 190lbs (86kg) OR door heights 80" to 98-7/16"
- 4 hinges - door height over 98-7/16" to maximum height 118" (3000mm) regardless of weight.

Recommended hinge locations:



Revisions By:

CRL

2503 E. Vernon Avenue, Los Angeles, C.A. 90059-1897
PH (800)-421-6144 FX: 800-387-7501 www.crlfire.com

Description:

CRL FALLBROOK XL

SERIES PARTITION SYSTEM

FOR USE 3/8" OR 1/2" GLASS

Drawn By: NW

Date: 04/05/19

Scale: AS NOTED

File Name:

Fallbrook

Sheet

2.02

Revisions By:

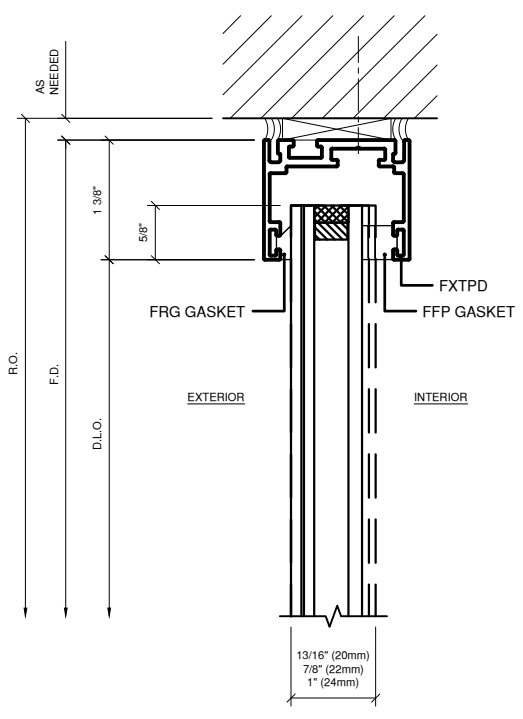
CRL.

2503 E. Vernon Avenue, Los Angeles, CA 90059-1897
 PH (800)-421-6144 FX: 800-587-7501 www.crlaurence.com

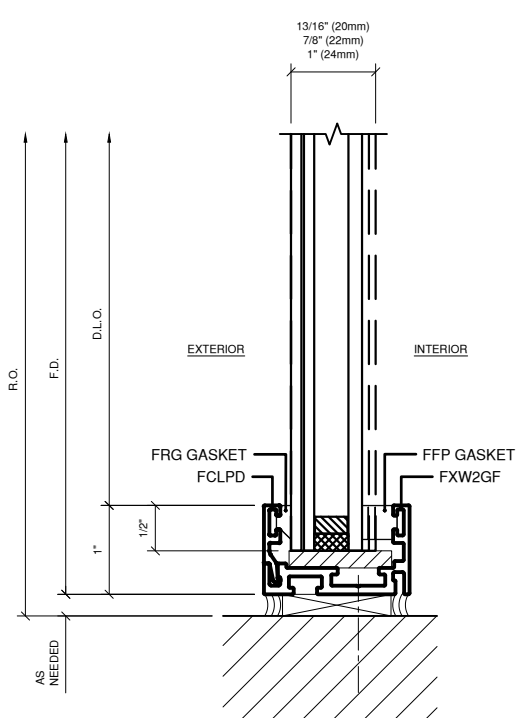
Description:
 CRL FALLBROOK XL
 SERIES PARTITION SYSTEM
 FOR USE 3/8" OR 1/2" GLASS

Drawn By: NW
 Date: 04/05/19
 Scale: AS NOTED
 File Name:
 Fallbrook

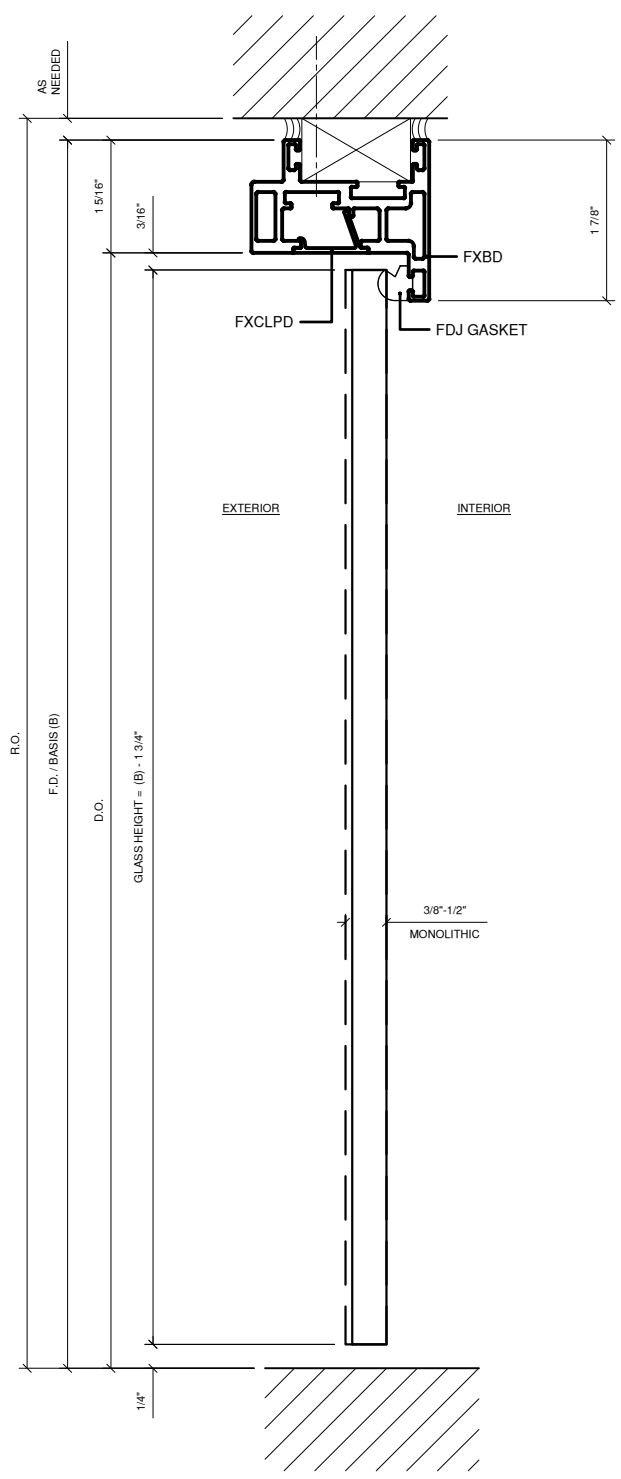
Sheet
5.01



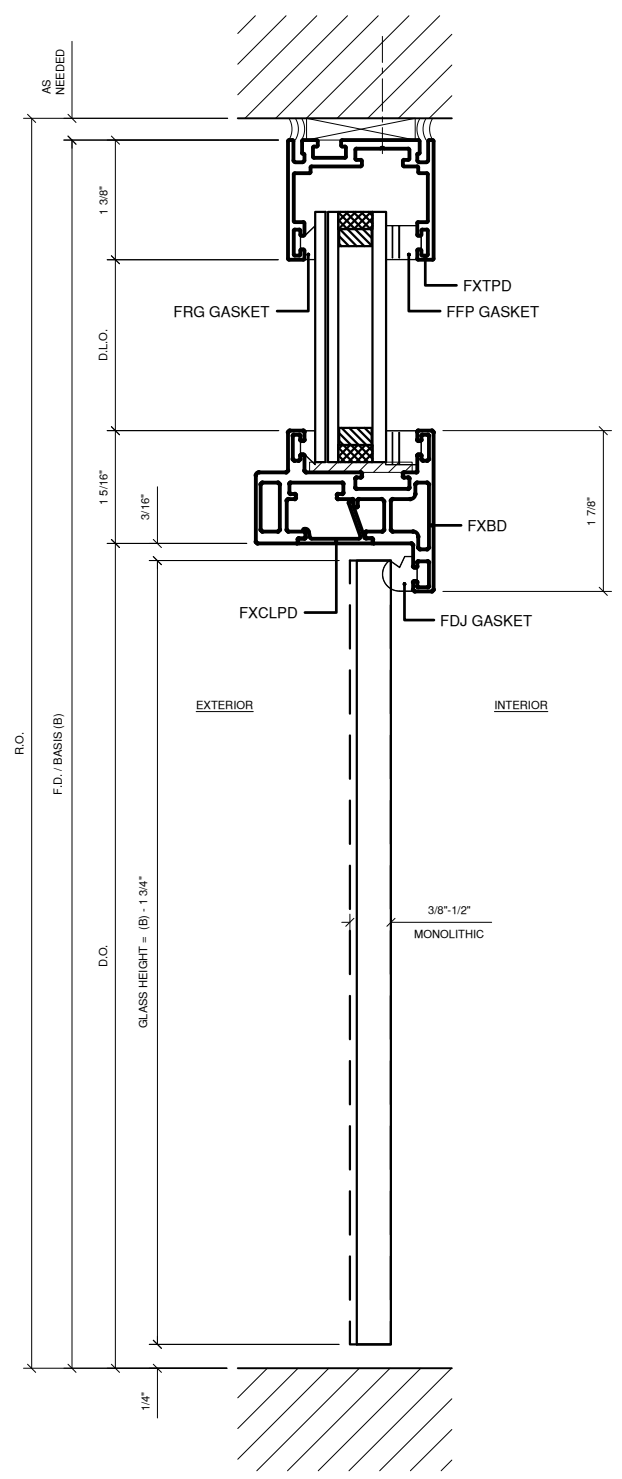
1 HEAD DETAIL @ FRAME XL 20-24.76
 1'-0" = 1'-0" ARCH. REF.: --



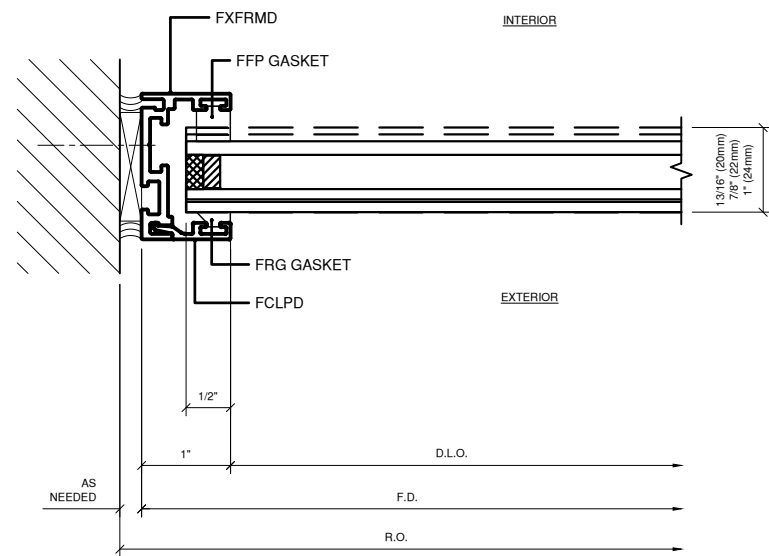
2 SILL DETAIL @ FRAME XL 20-24.76
 1'-0" = 1'-0" ARCH. REF.: --



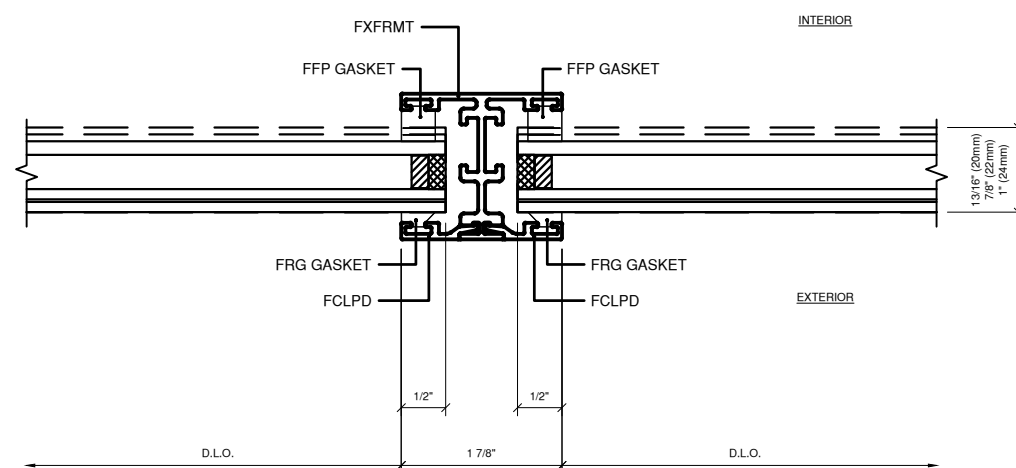
3 DOOR HEAD DETAIL W/O TRANSOM
 1'-0" = 1'-0" ARCH. REF.: --



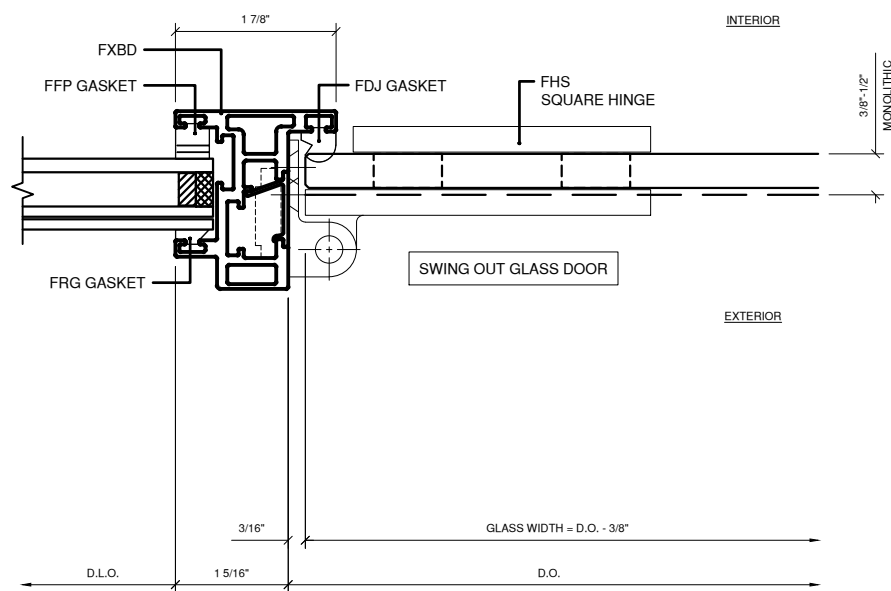
4 DOOR HEAD DETAIL W/ TRANSOM
 1'-0" = 1'-0" ARCH. REF.: --



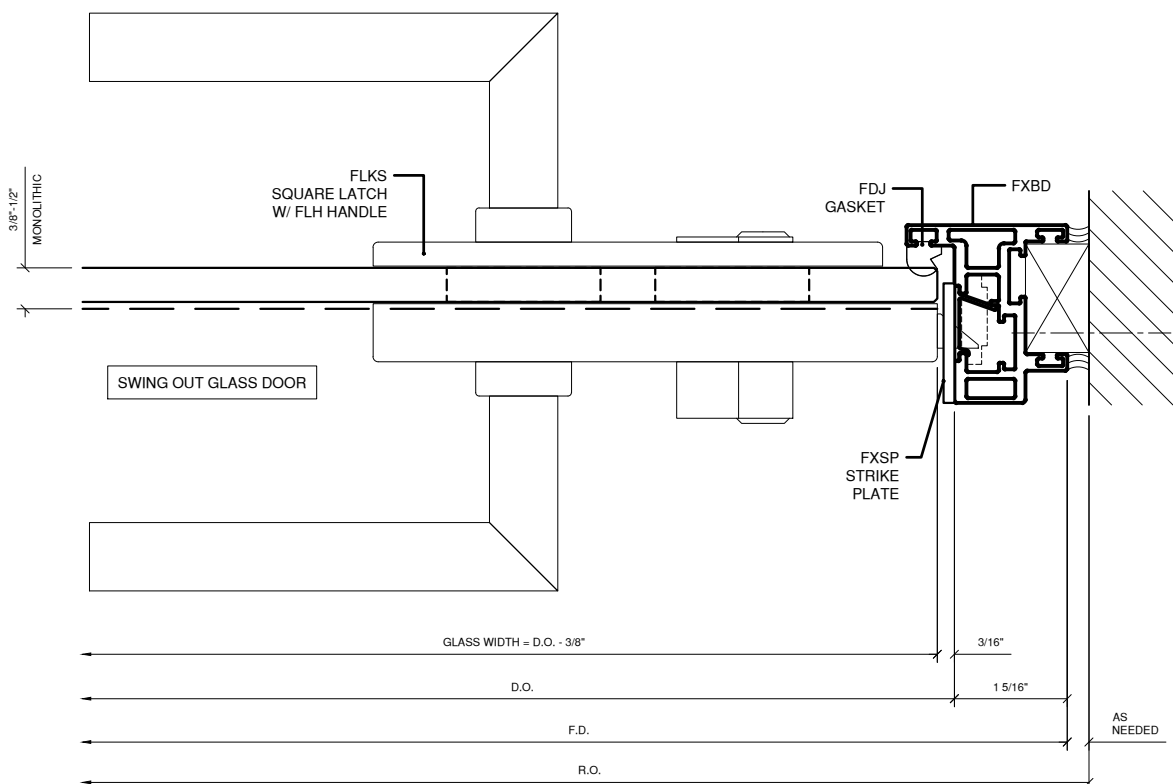
① JAMB DETAIL @ FRAME XL 20-24.76
1'-0" = 1'-0" ARCH. REF.: -/-



② VERTICAL DETAIL @ FRAME XL 20-24.76
1'-0" = 1'-0" ARCH. REF.: -/-



③ DOOR JAMB DETAIL @ HINGE
1'-0" = 1'-0" ARCH. REF.: -/-



④ DOOR JAMB DETAIL @ LOCK
1'-0" = 1'-0" ARCH. REF.: -/-

Revisions By:

CRL.

2503 E. Vernon Avenue, Los Angeles, C.A. 90059-1897
PH (800)-421-6144 FX: 800-587-1501 www.crlfire.com

Description:
CRL FALLBROOK XL
SERIES PARTITION SYSTEM
FOR USE 3/8" OR 1/2" GLASS

Drawn By: NW
Date: 04/05/19
Scale: AS NOTED
File Name:
Fallbrook

Sheet

6.01