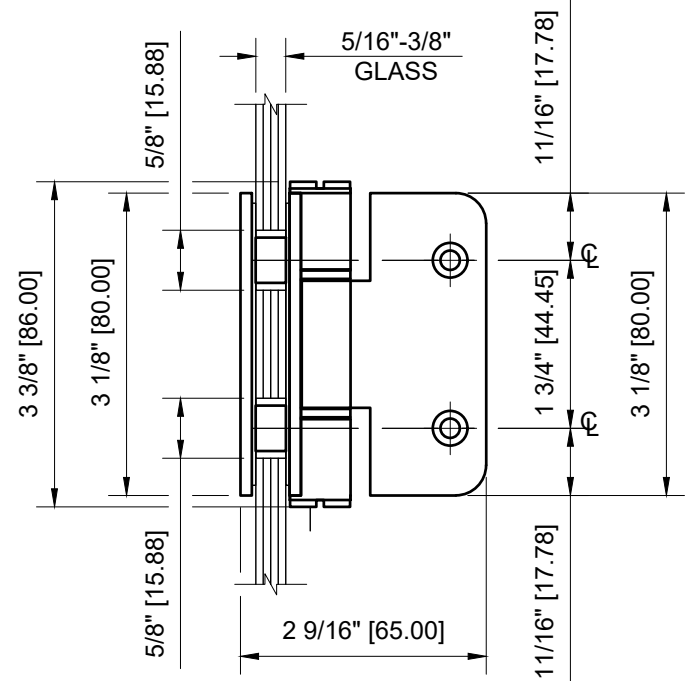
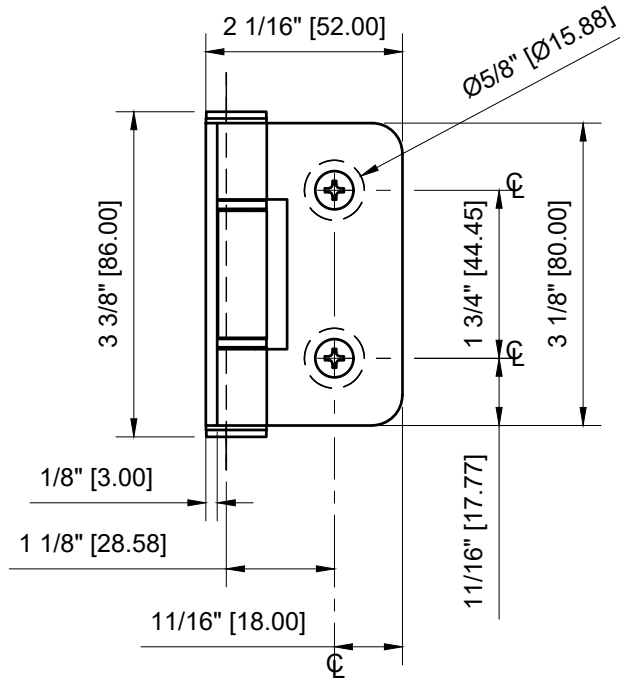
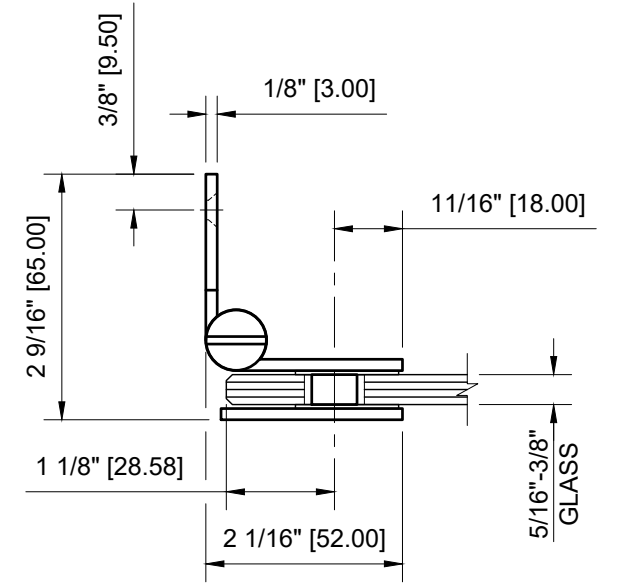


USE OF GASKETS

FOR 5/16" (8mm) GLASS: USE ONE THICK GASKET ON EACH SIDE

FOR 3/8" (10mm) GLASS: USE ONE THIN GASKET ON EACH SIDE



ZUR03XX - CRL ZURICH SERIES WALL MOUNT IN-SWING HINGE

CATALOG NUMBER	FINISH
ZUR03PS	POLISHED STAINLESS
ZUR03BR	POLISHED BRASS
ZUR03ORB	OIL RUBBED BRONZE
ZUR03ABR	ANTIQUÉ BRASS
ZUR03BN	BRUSHED NICKEL
ZUR03GP	GOLD PLATE
ZUR03SS	BRUSHED STAINLESS
ZUR03WS	WHITE STAINLESS

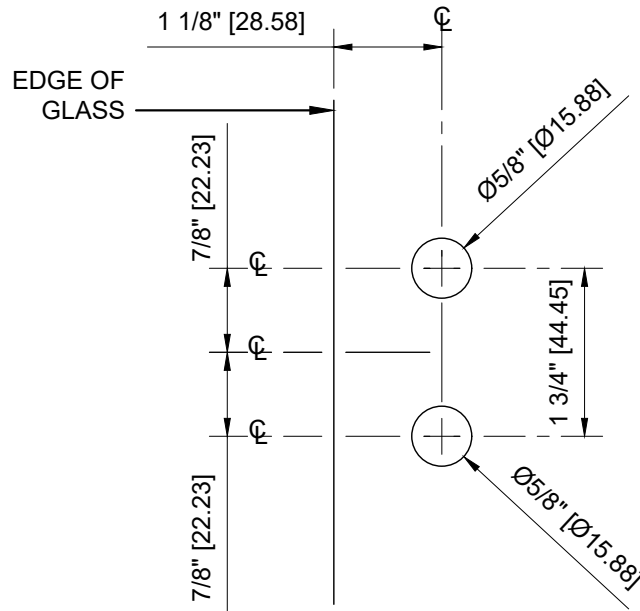
DATE: 9/9/19
 SCALE: 6"=1'-0"
 DRAWN BY: VM

DESCRIPTION: CRL ZURICH SERIES HINGE
 ZUR03 - WALL MOUNT IN-SWING HINGE

C.R. LAURENCE CO. ARCHITECTURAL PRODUCTS
 2503 E. Vernon Avenue, Los Angeles, CA 90058-1897
 PH (800)-421-6144 FX: 800-587-7501 www.crlaurence.com



USE OF GASKETS
FOR 5/16" (8mm) GLASS: USE ONE THICK GASKET ON EACH SIDE
FOR 3/8" (10mm) GLASS: USE ONE THIN GASKET ON EACH SIDE



DOOR PANEL "A"
GLASS FABRICATION TEMPLATE

CATALOG NUMBER	FINISH
ZUR03PS	POLISHED STAINLESS
ZUR03BR	POLISHED BRASS
ZUR03ORB	OIL RUBBED BRONZE
ZUR03ABR	ANTIQUE BRASS
ZUR03BN	BRUSHED NICKEL
ZUR03GP	GOLD PLATE
ZUR03SS	BRUSHED STAINLESS
ZUR03WS	WHITE STAINLESS

ZUR03XX - CRL ZURICH SERIES WALL MOUNT IN-SWING HINGE

DATE: 9/9/19
SCALE: 6"=1'-0"
DRAWN BY: VM

DESCRIPTION: CRL ZURICH SERIES HINGE
ZUR03 - WALL MOUNT IN-SWING HINGE

C.R. LAURENCE CO. ARCHITECTURAL PRODUCTS
2503 E. Vernon Avenue, Los Angeles, CA 90058-1897
PH (800)-421-6144 FX: 800-587-7501 www.crlaurence.com

