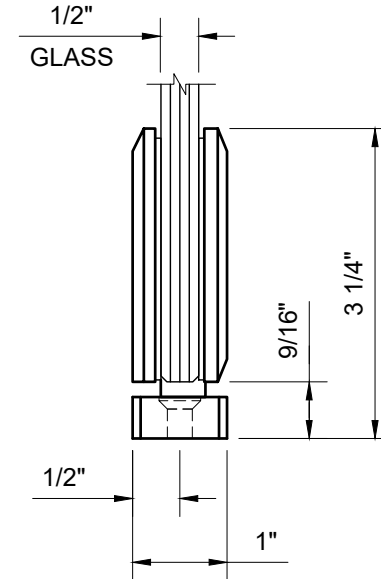
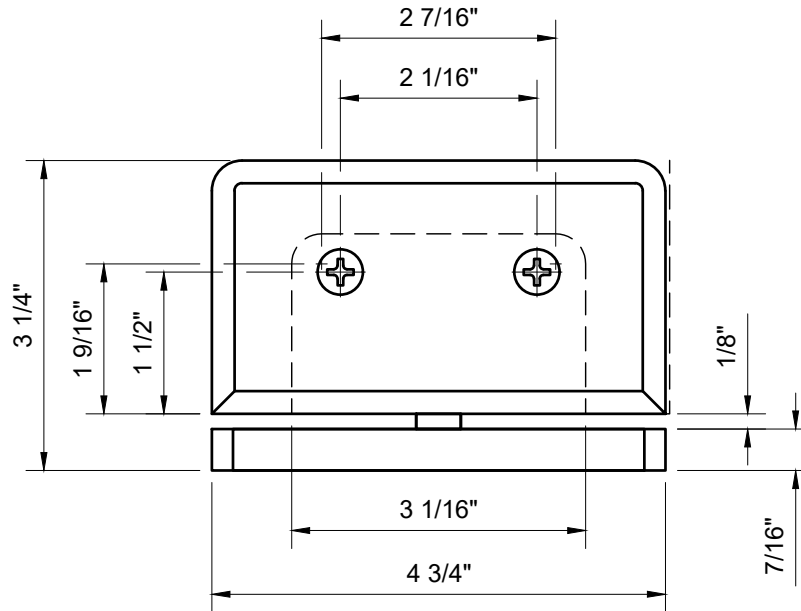
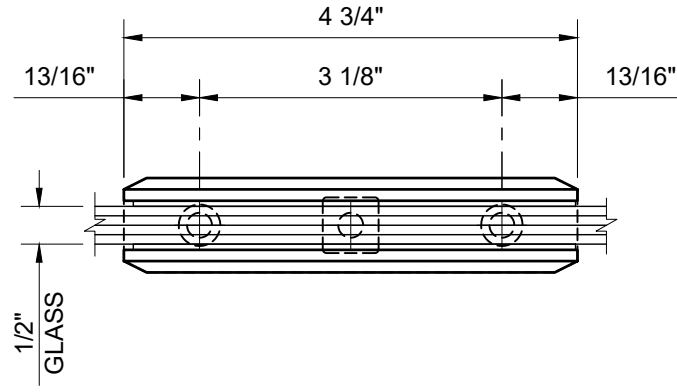


USE OF GASKETS

FOR 1/2" GLASS: USE ONE THIN GASKET ON ONE SIDE AND ONE THICK GASKET ON THE OTHER SIDE  
 FOR 12mm GLASS: USE ONE THICK GASKET ON BOTH SIDES



CATALOG NUMBER	FINISH
SRPPH01CH	POLISHED CHROME
SRPPH01MBL	MATTE BLACK
SRPPH01BR	POLISHED CHROME
SRPPH01ORB	OIL RUBBED BRONZE
SRPPH01ABC0	ANTIQUe BRUSHED COPPER
SRPPH01ABN	ANTIQUe BRUSHED NICKEL
SRPPH01ABR	ANTIQUe BRASS
SRPPH01ABZ	ANTIQUe BRONZE
SRPPHBRZ	BRUSHED BRONZE
SRPPH01BL	BLACK
SRPPH01BN	BRUSHED NICKEL
SRPPH01BSC	BRUSHED SATIN CHROME
SRPPH01GM	GUN METAL
SRPPH01GP	GOLD PLATED
SRPPH01PN	POLISHED NICKEL
SRPPH01SB	SATIN BRASS
SRPPH01SC	SATIN CHROME
SRPPH01SN	SATIN NICKEL
SRPP01WC	WHITE W/ CHROME ACCENT

SRPPH01XX - CRL SENIOR PRIMA 01 SERIES TOP OR BOTTOM MOUNT HINGE

DATE: 2/26/19  
 SCALE: 6"=1'-0"  
 DRAWN BY: VM

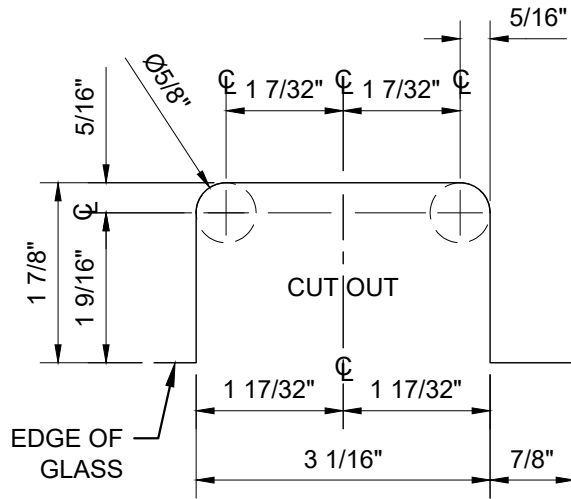
DESCRIPTION: CRL SENIOR PRIMA 01 SERIES HINGE  
 CRL SRPPH01  
 TOP OR BOTTOM MOUNT HINGE

C.R.LAURENCE CO. ARCHITECTURAL PRODUCTS  
 2503 E. Vernon Avenue, Los Angeles, C.A 90058-1897  
 PH (800)-421-6144 FX: 800-587-7501 www.crlaurence.com

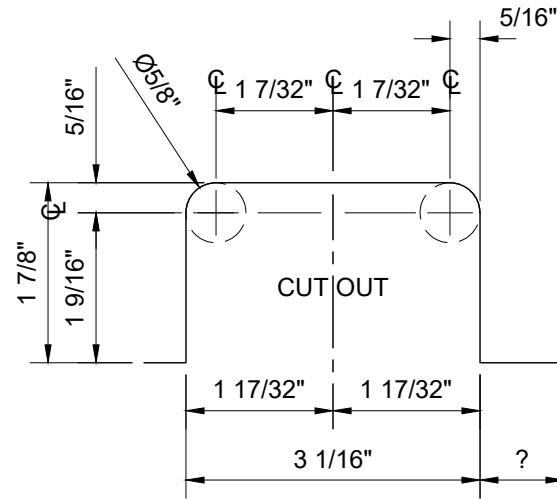


USE OF GASKETS

FOR 1/2" GLASS: USE ONE THIN GASKET ON ONE SIDE AND ONE THICK GASKET ON THE OTHER SIDE  
 FOR 12mm GLASS: USE ONE THICK GASKET ON BOTH SIDES



EDGE MOUNT METHOD  
 GLASS FABRICATION TEMPLATE



INSET MOUNT METHOD  
 GLASS FABRICATION TEMPLATE

CATALOG NUMBER	FINISH
SRPPH01CH	POLISHED CHROME
SRPPH01MBL	MATTE BLACK
SRPPH01BR	POLISHED CHROME
SRPPH01ORB	OIL RUBBED BRONZE
SRPPH01ABC0	ANTIQUÉ BRUSHED COPPER
SRPPH01ABN	ANTIQUÉ BRUSHED NICKEL
SRPPH01ABR	ANTIQUÉ BRASS
SRPPH01ABZ	ANTIQUÉ BRONZE
SRPPHBRZ	BRUSHED BRONZE
SRPPH01BL	BLACK
SRPPH01BN	BRUSHED NICKEL
SRPPH01BSC	BRUSHED SATIN CHROME
SRPPH01GM	GUN METAL
SRPPH01GP	GOLD PLATED
SRPPH01PN	POLISHED NICKEL
SRPPH01SB	SATIN BRASS
SRPPH01SC	SATIN CHROME
SRPPH01SN	SATIN NICKEL
SRPP01WC	WHITE W/ CHROME ACCENT

SRPPH01XX - CRL SENIOR PRIMA 01 SERIES GLASS TEMPLATES

DATE: 2/26/19  
 SCALE: 6"=1'-0"  
 DRAWN BY: VM

DESCRIPTION: CRL SENIOR PRIMA 01 SERIES HINGE  
 CRL SRPPH01  
 TOP OR BOTTOM MOUNT HINGE

C.R. LAURENCE CO. ARCHITECTURAL PRODUCTS  
 2503 E. Vernon Avenue, Los Angeles, C.A. 90058-1897  
 PH (800)-421-6144 FX: 800-587-7501 www.crlaurence.com

