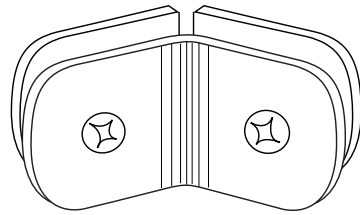
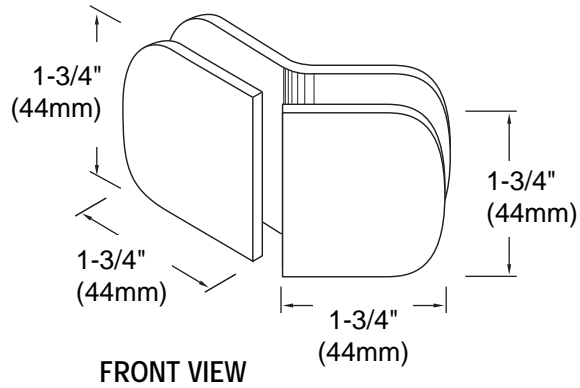




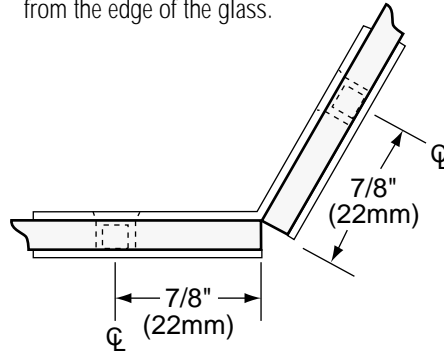
C.R. LAURENCE CO., INC.
PROFESSIONAL QUALITY



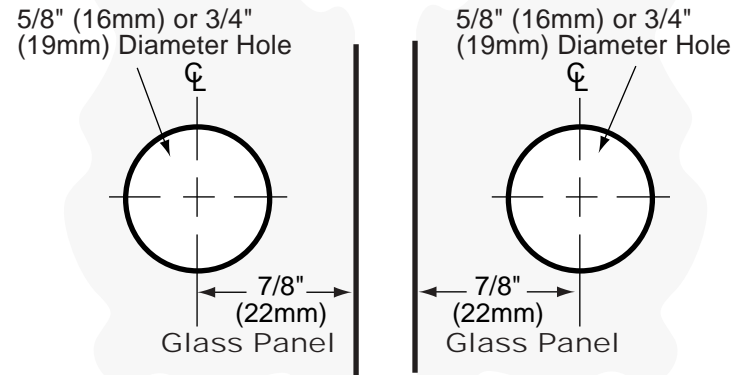
REAR VIEW

TYPICAL INSTALLATION

Important: Project measurements from the edge of the glass.

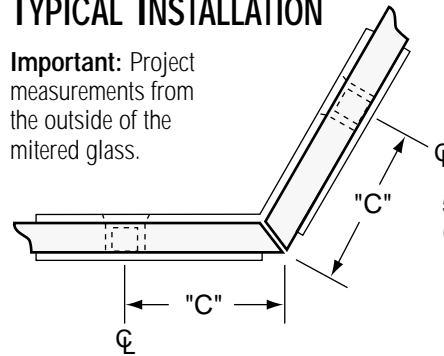


TEMPLATE OPTION FOR SQUARE CUT GLASS

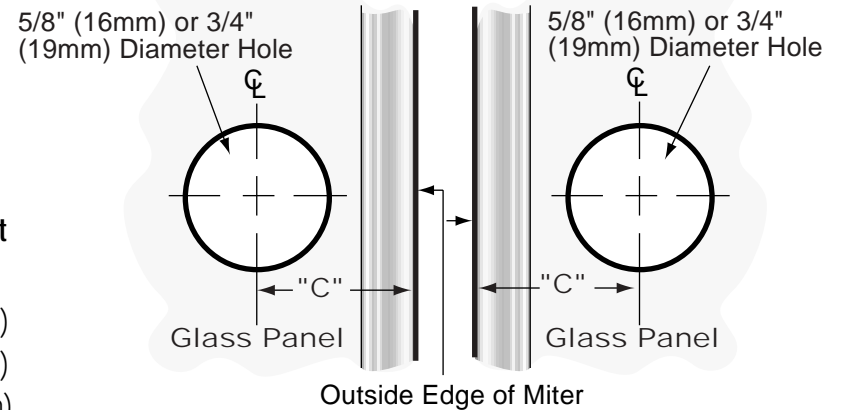


TYPICAL INSTALLATION

Important: Project measurements from the outside of the mitered glass.



TEMPLATE OPTION FOR 22-1/2° MITERED GLASS



Glass Thickness	"C"* Measurement
1/4" (6mm)	1" (25mm)
5/16" (8mm)	1-1/16" (27mm)
3/8" (10mm)	1-1/16" (27mm)
1/2" (12mm)	1-1/8" (29.5mm)

*From outside edge of miter

Specifications:

Material: Solid brass

Glass Thickness Range: 5/16" (8mm) to 1/2" (12mm)

Hole Size Required: 5/8" (16mm) or 3/4" (19mm)

Includes: Mounting screws and gaskets

GLASS CLAMPS

Roman 135° Glass Clamp

CAT. No. ROM135