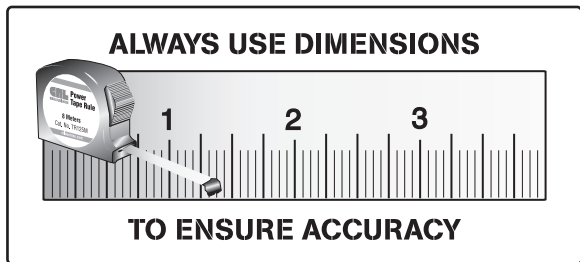
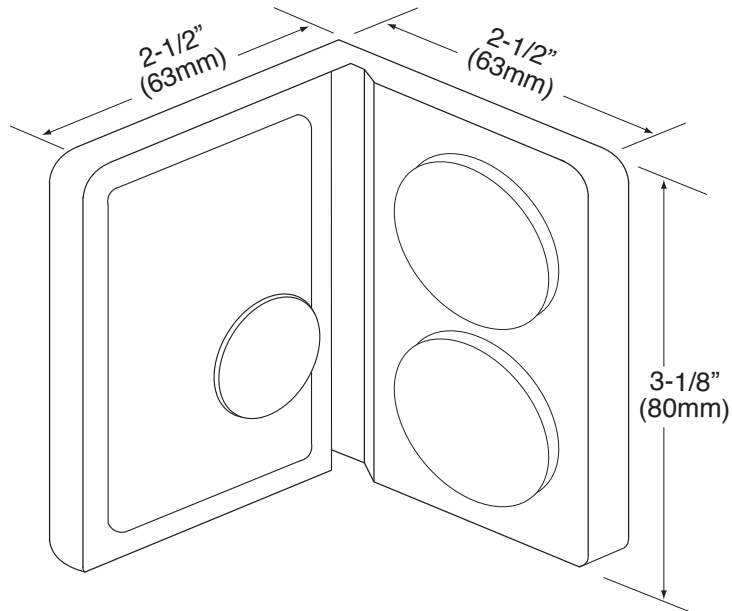




C.R. LAURENCE CO., INC.
PROFESSIONAL QUALITY



RIVERA GLASS CLAMP

Fixed Panel Clamp
CAT. No. R1V90

Specifications:

- Material:** Solid brass
- Glass Thickness Range:** 5/16" (81mm) to 3/8" (10mm)
- Hole Size Required:** Countersunk Hole
- Includes:** Mounting screws and gaskets

TYPICAL INSTALLATION

(DRAWING NOT TO SCALE)

TEMPLATE

Important: Project measurements from the edge of the glass

