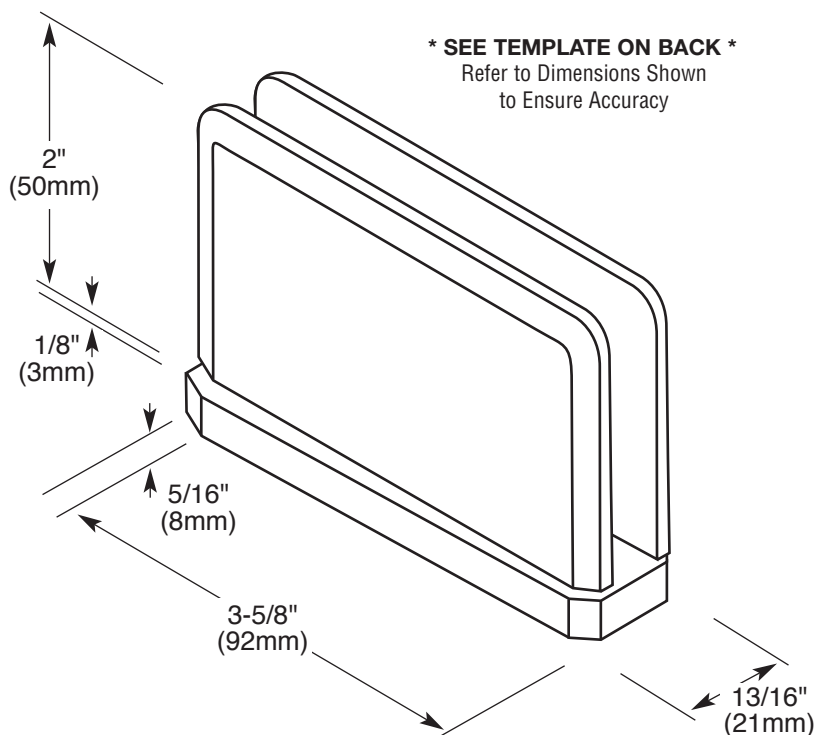




**C.R. LAURENCE CO., INC.**  
PROFESSIONAL QUALITY



# PRIMA 5° PRE-SET

Bottom Right or Top Left Hinge

**CAT No. PPH0151**

Edge Mount Preferred Method	7/16" (11mm) Clearance	Page 4G-28
Edge Mount Alternate Method	7/16" (11mm) Clearance	Page 4G-29
Inset Mount Method	7/16" (11mm) Clearance	Page 4G-30

* Maximum Door Capacities	5/16" (8mm) Glass		3/8" (10mm) Glass	
	Weight	Width	Weight	Width
Using 2 Hinges	100 lbs.(46 kg)	31"(787mm)	100 lbs.(46 kg)	31"(787mm)

\*NOTE: Do not exceed either maximum weight or width when choosing proper quantity of hinges.

## Important Information:

**Template Options:** The Top or Bottom Mount PPH0151 Hinge offers numerous choices of templates. Refer to the lower left hand corner of this page for the various selections. If using an Edge Mount Template, the capabilities of your temperer may determine your choice of Preferred or Alternate Methods. The Preferred Method has a full leg cutout that allows a full length vertical seal on the hinge side. The Alternate Methods all have a short leg cutout, resulting in an interrupted seal.

The Inset Mount Template is beneficial for two reasons. It allows a full length vertical seal. Also, by inseting the hinge a certain distance towards the center of the door, it enables the door to avoid hitting a towel bar, or some other protrusion from the wall.

**Vertical Clearances:** If using the Top or Bottom Mount PPH0151 Hinges with the CRL Deluxe Header Kit, DISREGARD the suggested top clearance instructions shown on these templates. For vertical deductions using the Header Kit, refer to page 2-22 in Section 2.

## Specifications:

**Glass Sizes:** 5/16" (8mm) to 3/8" (10mm) thick tempered safety glass

**Construction:** Solid brass

**Closing Type:** Self-centering when within 15° of closed position

**Cutout Required**

**Includes:** Gaskets, screws and template

## Use of Gaskets:

**For 5/16"(8mm) Glass:** Use one thick gasket and one thin gasket on each side

**For 3/8"(10mm) Glass:** Use one thick gasket on each side

## Recommendations:

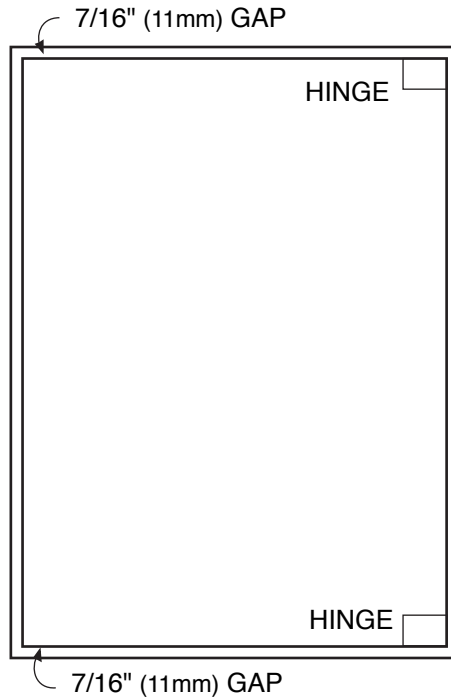
For public safety, we recommend the use of only tempered safety glass. Do not use power tools when installing these hinges.

## Maintenance Guidelines:

- Never use an abrasive cleaner on the hardware. Many of the components are coated with a clear lacquer that will be irreparably damaged if subjected to harsh, abrasive chemicals. Advise your customer that drying the hardware with a clean, soft towel on a daily basis is the best way to maintain the hardware. If mineral deposits build-up, mix a couple of drops of a mild liquid soap (such as Ivory or a similar product) into a cup of warm water. Using a soft, non-abrasive cloth, clean the hardware. Rinse thoroughly with clean, warm water and dry.

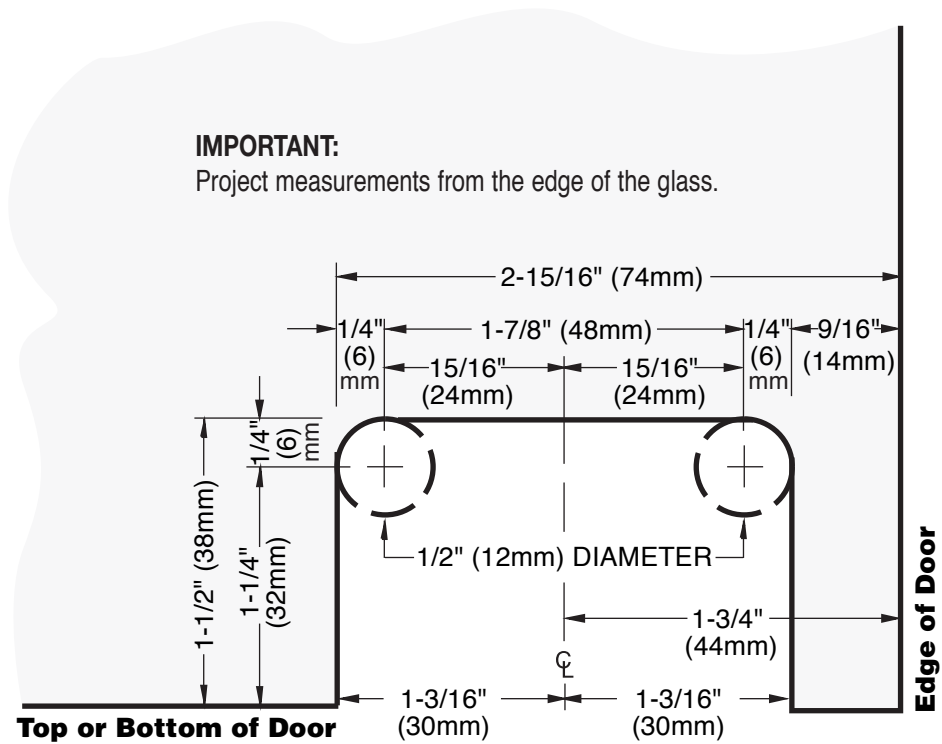


**Note:** Disregard vertical clearances shown if using CRL Deluxe Header Kit. See page 2-22 for vertical deductions.



**IMPORTANT:**

Project measurements from the edge of the glass.

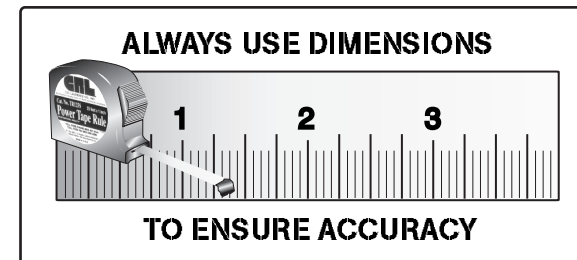


# PRIMA 5° PRE-SET

Bottom Right or Top Left Hinge

**CAT No. PPH0151**

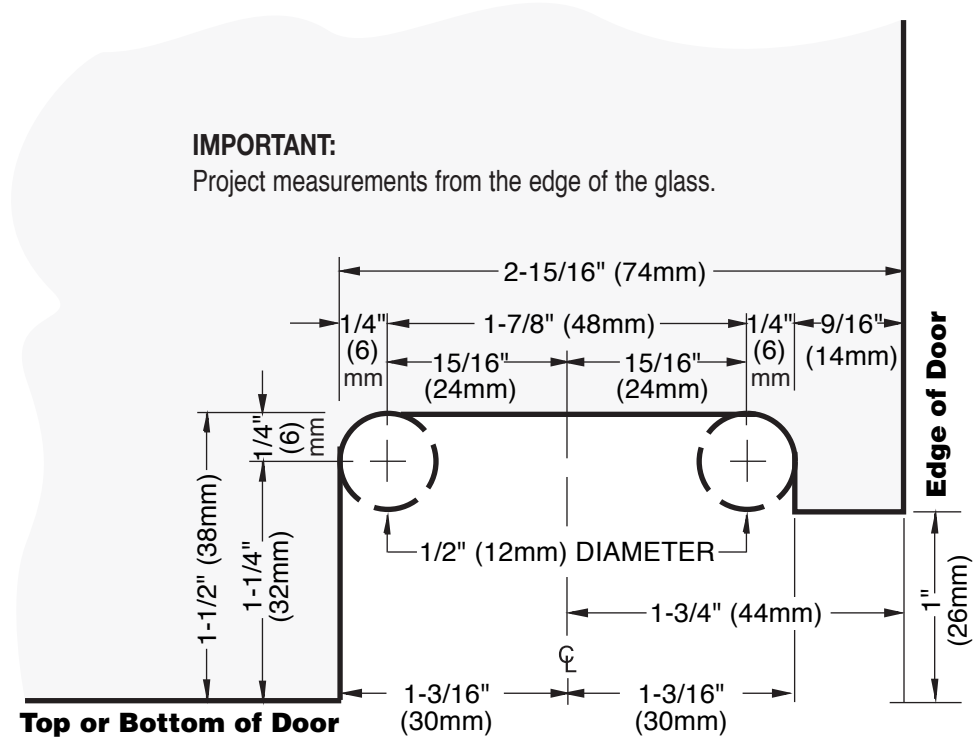
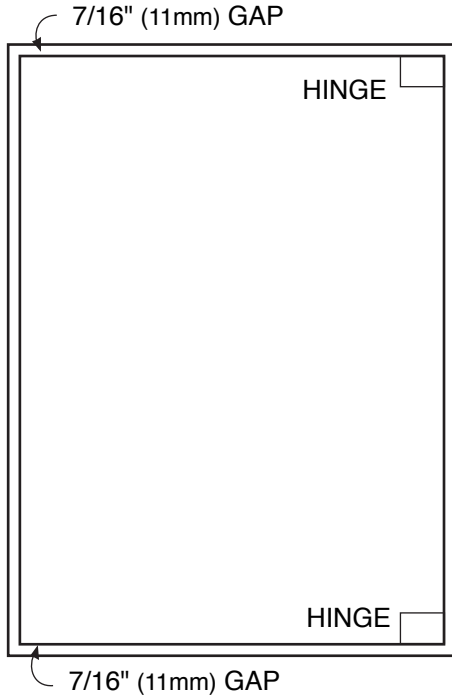
Edge Mount Preferred Method 7/16" (11mm) Clearance





**C.R. LAURENCE CO., INC.**  
PROFESSIONAL QUALITY

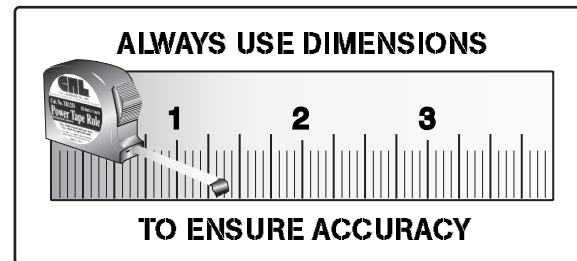
**Note:** Disregard vertical clearances shown if using CRL Deluxe Header Kit. See page 2-22 for vertical deductions.



# PRIMA 5° PRE-SET

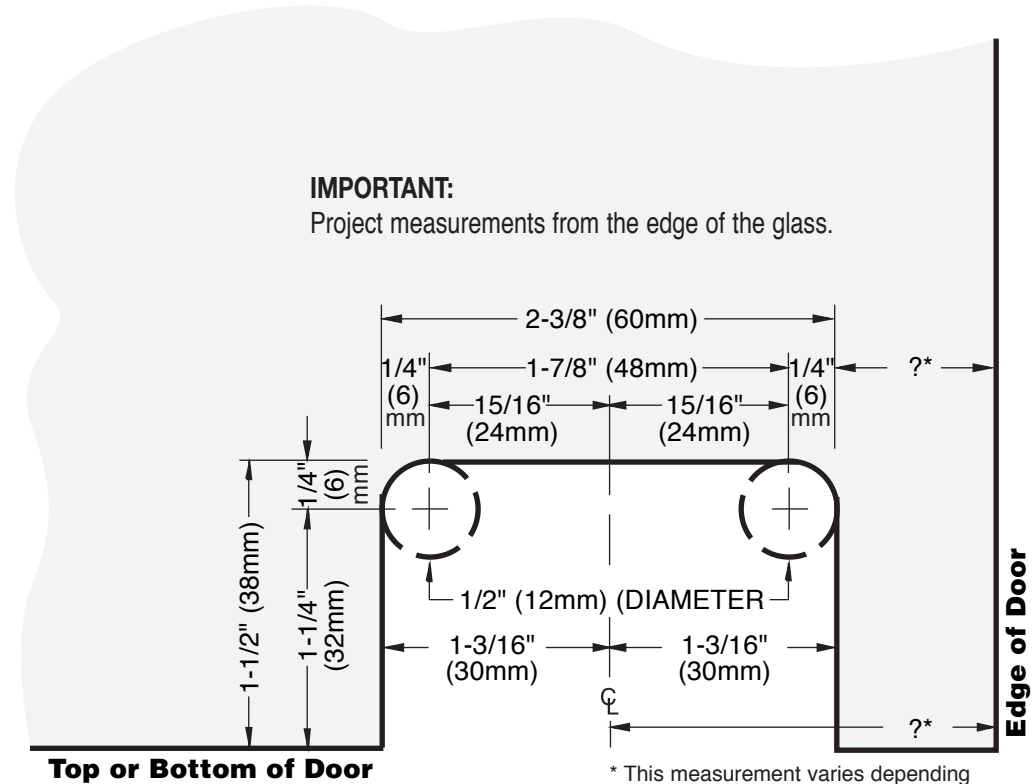
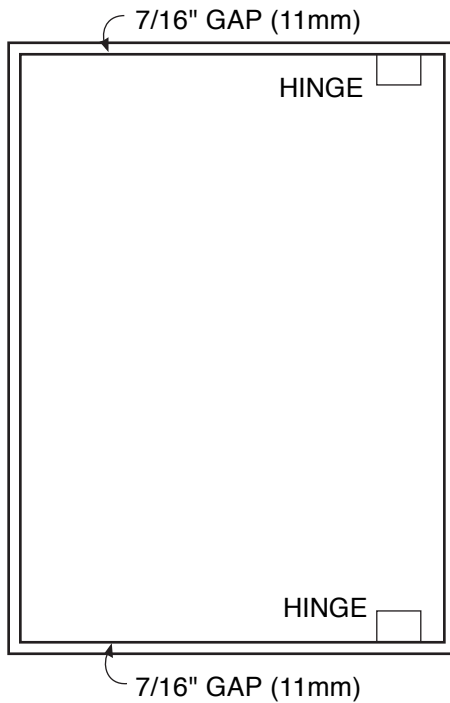
Bottom Right or Top Left Hinge  
Cat. No. PPH0151

Edge Mount Alternate Method 7/16" (11mm) Clearance





**Note:** Disregard vertical clearances shown if using CRL Deluxe Header Kit. See page 2-22 for vertical deductions.



# PRIMA 5° PRE-SET

Bottom Right or Top Left Hinge

**Cat No. PPH0151**

Inset Mount Method      7/16" (11mm) clearance

