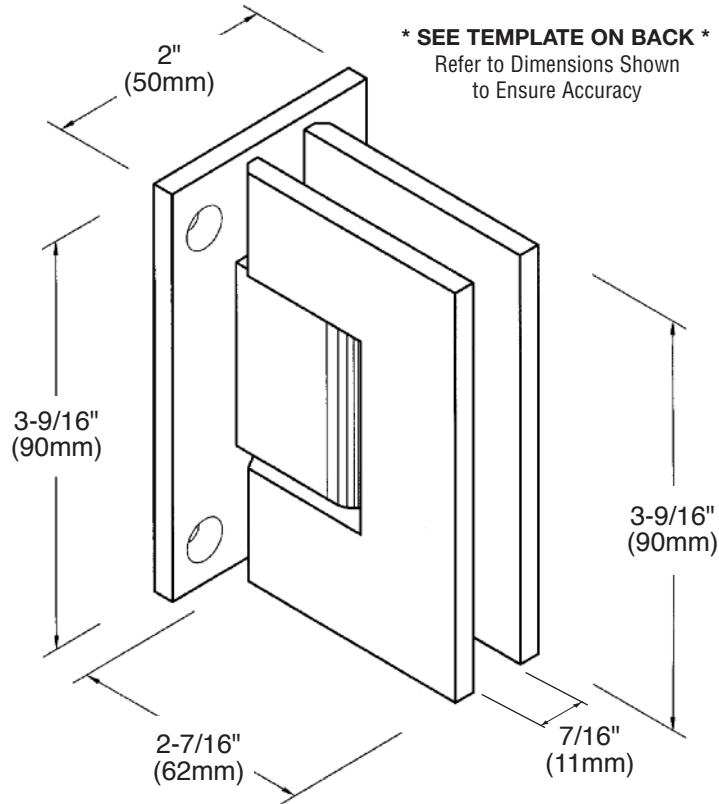




C.R. LAURENCE CO., INC.
PROFESSIONAL QUALITY



MELBOURNE

Wall Mount Hinge – Full Back Plate

CAT. No. MEL037

*Maximum Door Capacities	5/16" (8mm) Glass		3/8" (10mm) Glass		1/2" (12mm) Glass	
	Weight	Width	Weight	Width	Weight	Width
Using 2 Hinges	100 lbs.(45 kg)	30"(762mm)	100 lbs.(45 kg)	30"(762mm)	100 lbs.(45 kg)	30"(762mm)
Using 3 Hinges	120 lbs.(54 kg)	34"(864mm)	120 lbs.(54 kg)	34"(864mm)	120 lbs.(54 kg)	34"(864mm)

*NOTE: Do not exceed either maximum weight or width when choosing proper quantity of hinges.

Important Information:

This hinge contains a dual degree pivot pin. The pivot pin is set for normal door closing position. You have the option of altering the closing position of the door 5 degrees inward by utilizing the opposite side of the pivot pin, which has been pre-machined (see Section 3 of Cat. No. SDT21 Frameless Shower Door Guide for this procedure). Special order custom pivot pins are available (Cat. No. GENP1N) that can be machined at any angle up to 45 degrees.

Specifications:

- Glass Sizes:** 5/16" (8mm) to 1/2" (12mm) thick tempered safety glass
- Construction:** Solid brass
- Closing Type:** Self-centering when within 15° of closed position
- Cutout Required**
- Includes:** Gaskets, screws and template

Use of Gaskets:

- For 5/16" (8mm) Glass:** Use two thick gaskets stamped with 8mm
- For 3/8" (10mm) Glass:** Use two gaskets stamped with 12-10mm
- For 1/2" (12mm) Glass:** Use two gaskets stamped with 12-10mm

Recommendations:

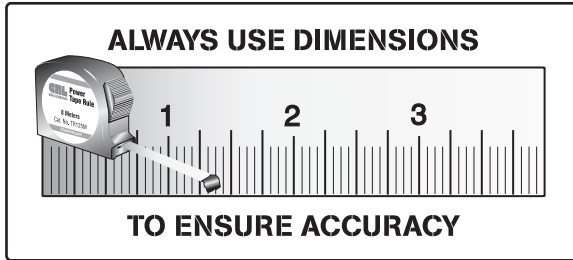
For public safety, we recommend the use of only tempered safety glass. Do not use power tools when installing these hinges.

Maintenance Guidelines:

- Our hinges are greased at the factory for quiet and trouble-free operation. If there is any squeaking that occurs after installation, put a drop of "3 in 1 Oil" (also known as "household oil") on the white nylon washer that the hinge body pivots on. This washer is the component that acts as a buffer, so the body of the hinge doesn't pivot directly on the brass center block. This solution doesn't require the disassembly of the hinge. **Note: Do not use spray lubricant on these hinges.** If the hinge has been disassembled, upon re-assembly, use white lithium grease to lubricate the interior mechanism.
- Never use an abrasive cleaner on the hardware. Many of the components are coated with a clear lacquer that will be irreparably damaged if subjected to harsh, abrasive chemicals. Advise your customer that drying the hardware with a clean, soft towel on a daily basis is the best way to maintain the hardware. If mineral deposits build-up, mix a couple of drops of a mild liquid soap (such as Ivory or a similar product) into a cup of warm water. Using a soft, non-abrasive cloth, clean the hardware. Rinse thoroughly with clean, warm water and dry.

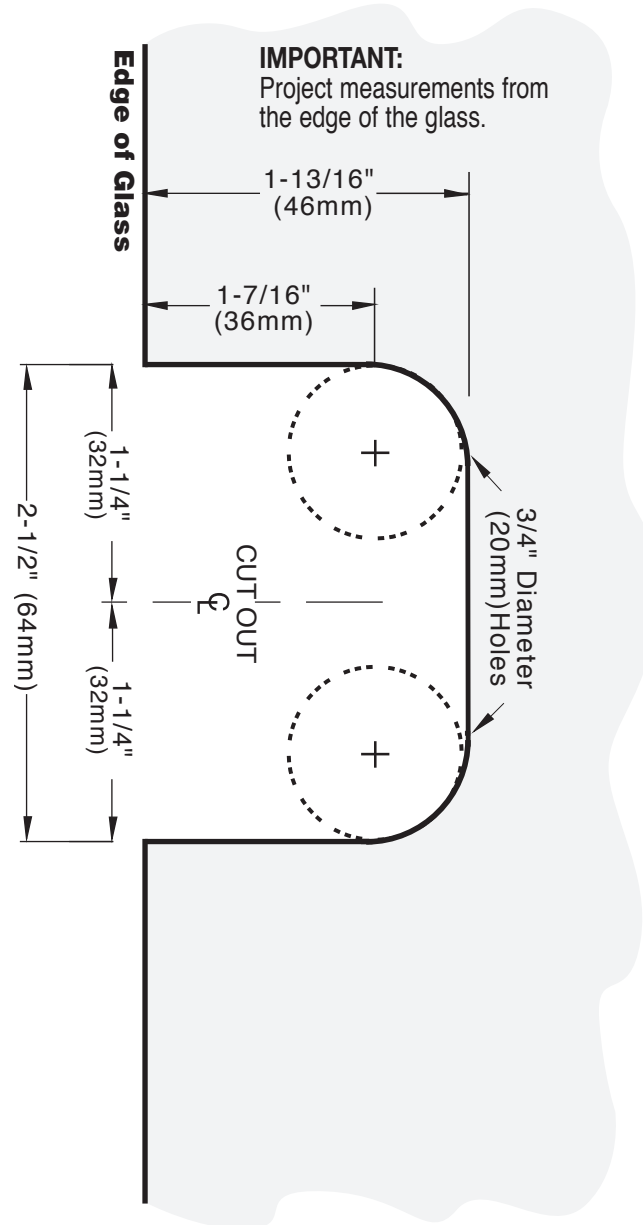


C.R. LAURENCE CO., INC.
PROFESSIONAL QUALITY



MELBOURNE

Wall Mount Hinge – Full Back Plate
CAT. No. MEL037



C.R. Laurence Co., Inc.
crlaurence.com

For technical assistance in the United States call toll free (800) 421-6144; from Canada call toll free (877) 421-6144; Outside the U.S. and Canada call (323) 588-1281. Ask for Tech Sales at Extension 7740. Toll free fax (800) 458-7496.