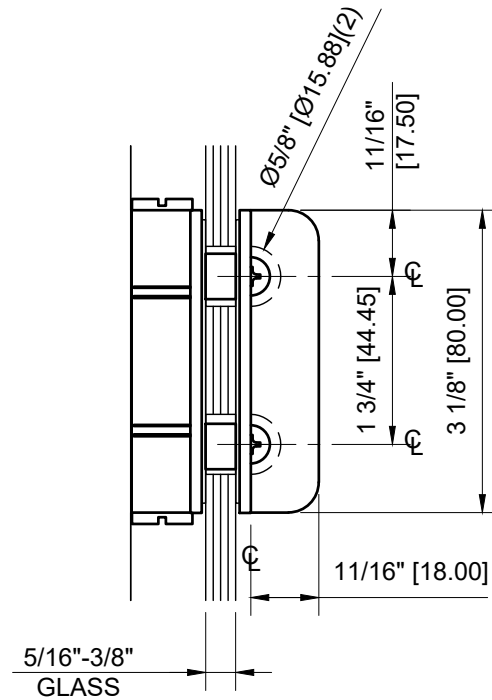
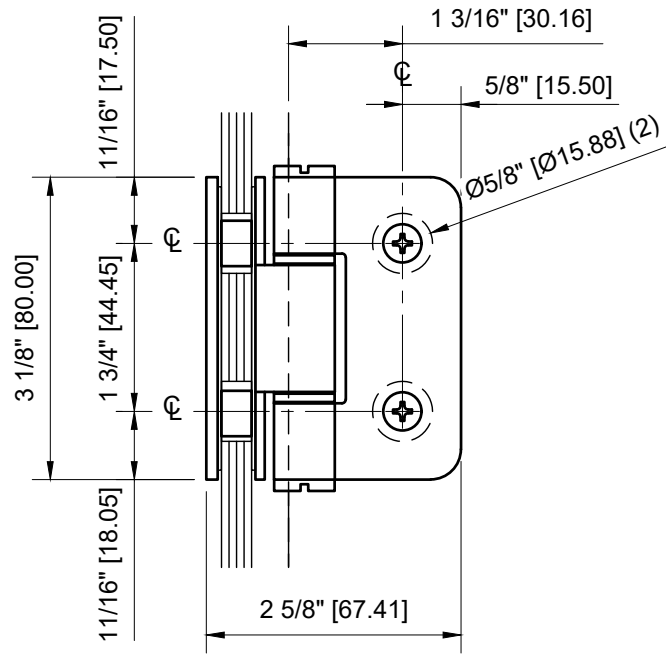
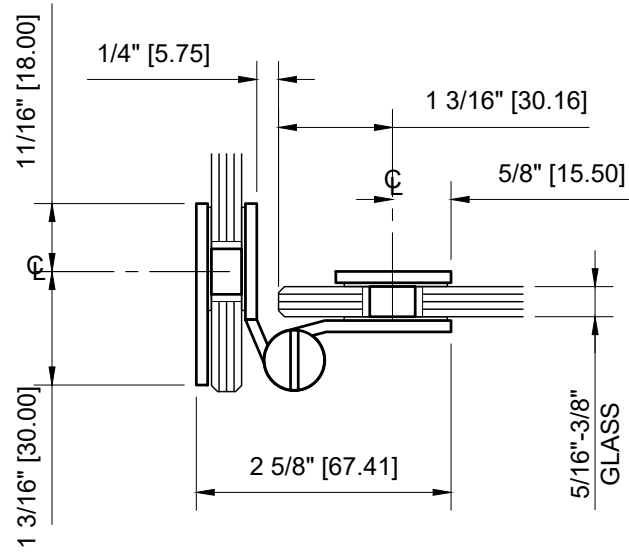


USE OF GASKETS	
FOR 5/16" (8mm) GLASS: USE ONE THICK GASKET ON EACH SIDE	
FOR 3/8" (10mm) GLASS: USE ONE THIN GASKET ON EACH SIDE	



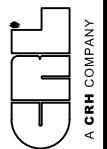
ZUR06XX - CRL ZURICH SERIES GLASS TO GLASS MOUNT OUT-SWING HINGE

CATALOG NUMBER	FINISH
ZUR06PS	POLISHED STAINLESS
ZUR06ORB	OIL RUBBED BRONZE
ZUR06GP	GOLD PLATE
ZUR06SS	BRUSHED STAINLESS

DATE: 9/24/19
 SCALE: 6"=1'-0"
 DRAWN BY: VM

DESCRIPTION: CRL ZURICH SERIES HINGE
 ZUR06 - GLASS TO GLASS MOUNT
 OUT-SWING HINGE

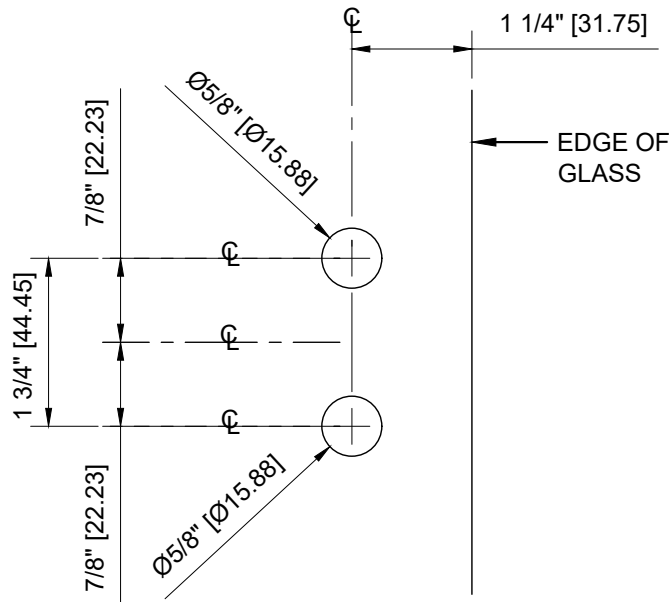
C.R. LAURENCE CO. ARCHITECTURAL PRODUCTS
 2503 E. Vernon Avenue, Los Angeles, CA 90058-1897
 PH (800)-421-6144 FX: 800-587-7501 www.crlaurence.com



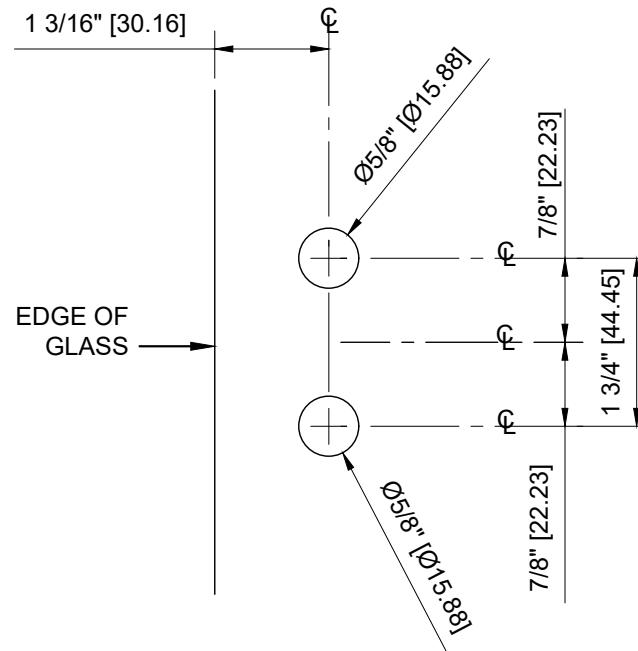
USE OF GASKETS

FOR 5/16" (8mm) GLASS: USE ONE THICK GASKET ON EACH SIDE

FOR 3/8" (10mm) GLASS: USE ONE THIN GASKET ON EACH SIDE



FIXED PANEL "A"
GLASS FABRICATION TEMPLATE

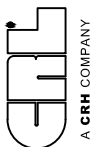


DOOR PANEL "B"
GLASS FABRICATION TEMPLATE

CATALOG NUMBER	FINISH
ZUR06PS	POLISHED STAINLESS
ZUR060RB	OIL RUBBED BRONZE
ZUR06GP	GOLD PLATE
ZUR06SS	BRUSHED STAINLESS

ZUR06XX - CRL ZURICH SERIES GLASS TO GLASS MOUNT OUT-SWING HINGE

C.R. LAURENCE CO. ARCHITECTURAL PRODUCTS
2503 E. Vernon Avenue, Los Angeles, CA 90058-1897
PH (800)-421-6144 FX: 800-587-7501 www.crlaurence.com



DESCRIPTION: CRL ZURICH SERIES HINGE
ZUR06 - GLASS TO GLASS MOUNT
OUT-SWING HINGE

DATE: 9/9/19
SCALE: 6"=1'-0"
DRAWN BY: VM