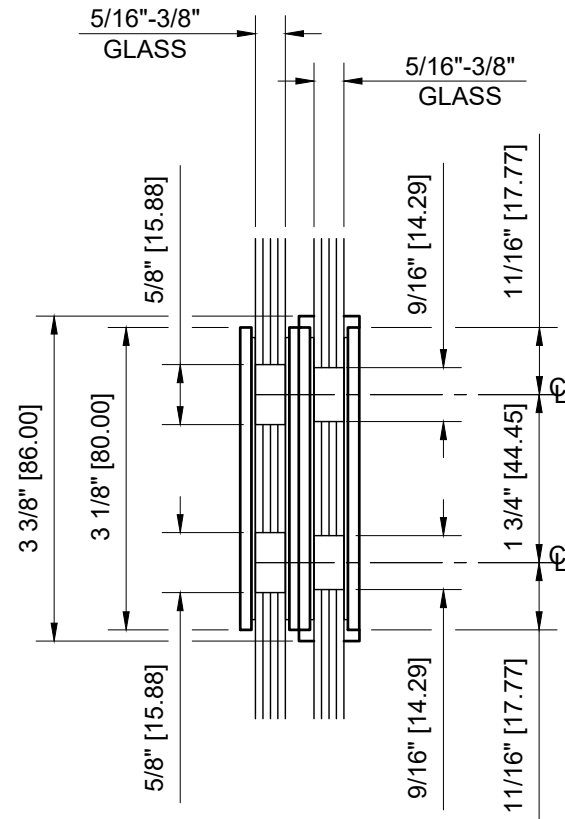
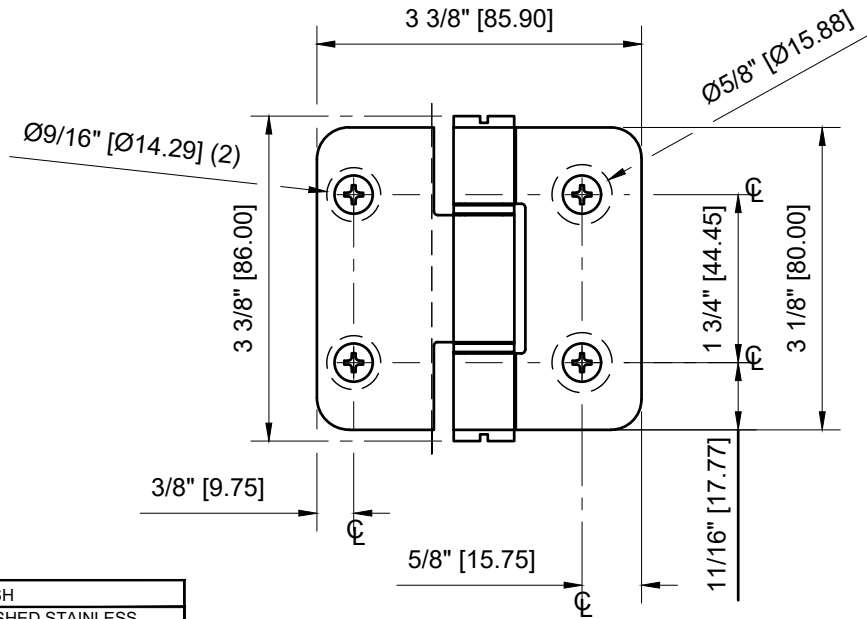
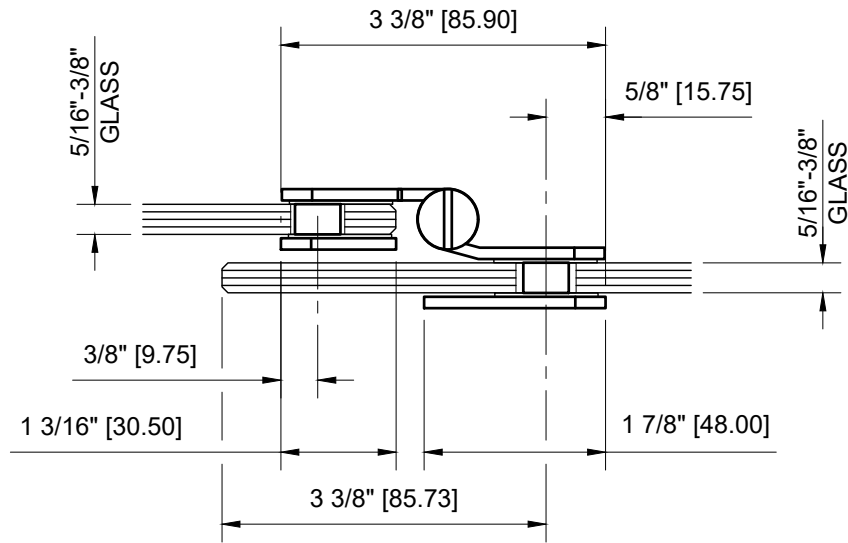


USE OF GASKETS

FOR 5/16" (8mm) GLASS: USE ONE THICK GASKET ON EACH SIDE

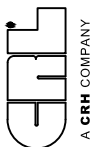
FOR 3/8" (10mm) GLASS: USE ONE THIN GASKET ON EACH SIDE



CATALOG NUMBER	FINISH
ZUR02PS	POLISHED STAINLESS
ZUR02BR	POLISHED BRASS
ZUR02BN	BRUSHED NICKEL
ZUR02GP	GOLD PLATE
ZUR02PN	POLISHED NICKEL
ZUR02SS	BRUSHED STAINLESS

ZUR02XX - CRL ZURICH SERIES GLASS TO GLASS MOUNT BI-FOLD HINGE

C.R. LAURENCE CO. ARCHITECTURAL PRODUCTS  
 2503 E. Vernon Avenue, Los Angeles, CA 90058-1897  
 PH (800)-421-6144 FX: 800-587-7501 www.crlaurence.com



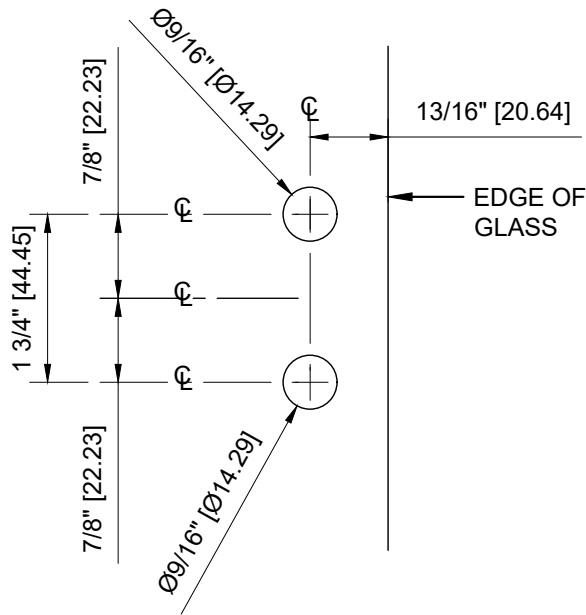
DESCRIPTION: CRL ZURICH SERIES HINGE  
 ZUR02 - GLASS TO GLASS MOUNT  
 180 DEGREE OUT / IN SWING BI-FOLD HINGE

DATE: 9/9/19  
 SCALE: 6"=1'-0"  
 DRAWN BY: VM

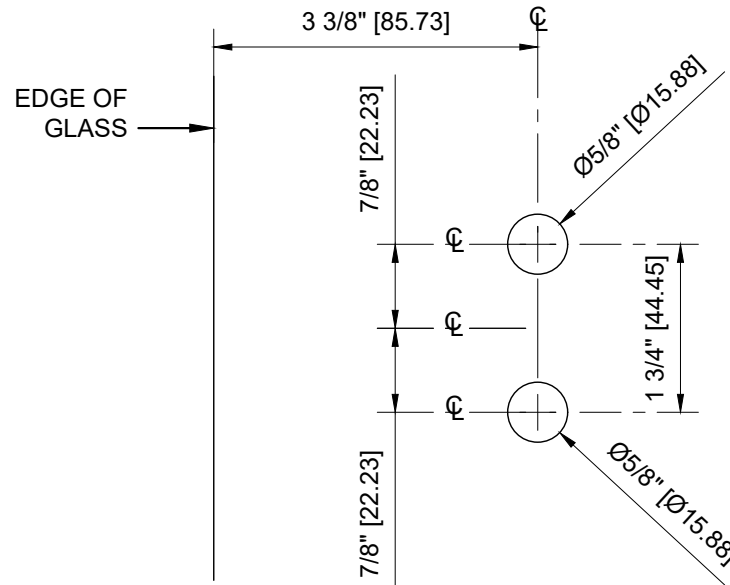
USE OF GASKETS

FOR 5/16" (8mm) GLASS: USE ONE THICK GASKET ON EACH SIDE

FOR 3/8" (10mm) GLASS: USE ONE THIN GASKET ON EACH SIDE



DOOR PANEL "A"  
GLASS FABRICATION TEMPLATE



DOOR PANEL "B"  
GLASS FABRICATION TEMPLATE

CATALOG NUMBER	FINISH
ZUR02PS	POLISHED STAINLESS
ZUR02BR	POLISHED BRASS
ZUR02BN	BRUSHED NICKEL
ZUR02GP	GOLD PLATE
ZUR02PN	POLISHED NICKEL
ZUR02SS	BRUSHED STAINLESS

ZUR02XX - CRL ZURICH SERIES GLASS TO GLASS MOUNT BI-FOLD HINGE

DATE: 9/9/19  
SCALE: 6"=1'-0"  
DRAWN BY: VM

DESCRIPTION: CRL ZURICH SERIES HINGE  
ZUR02 - GLASS TO GLASS MOUNT  
180 DEGREE OUT / IN SWING BI-FOLD HINGE

C.R. LAURENCE CO. ARCHITECTURAL PRODUCTS  
2503 E. Vernon Avenue, Los Angeles, CA 90058-1897  
PH (800)-421-6144 FX: 800-587-7501 www.crlaurence.com

