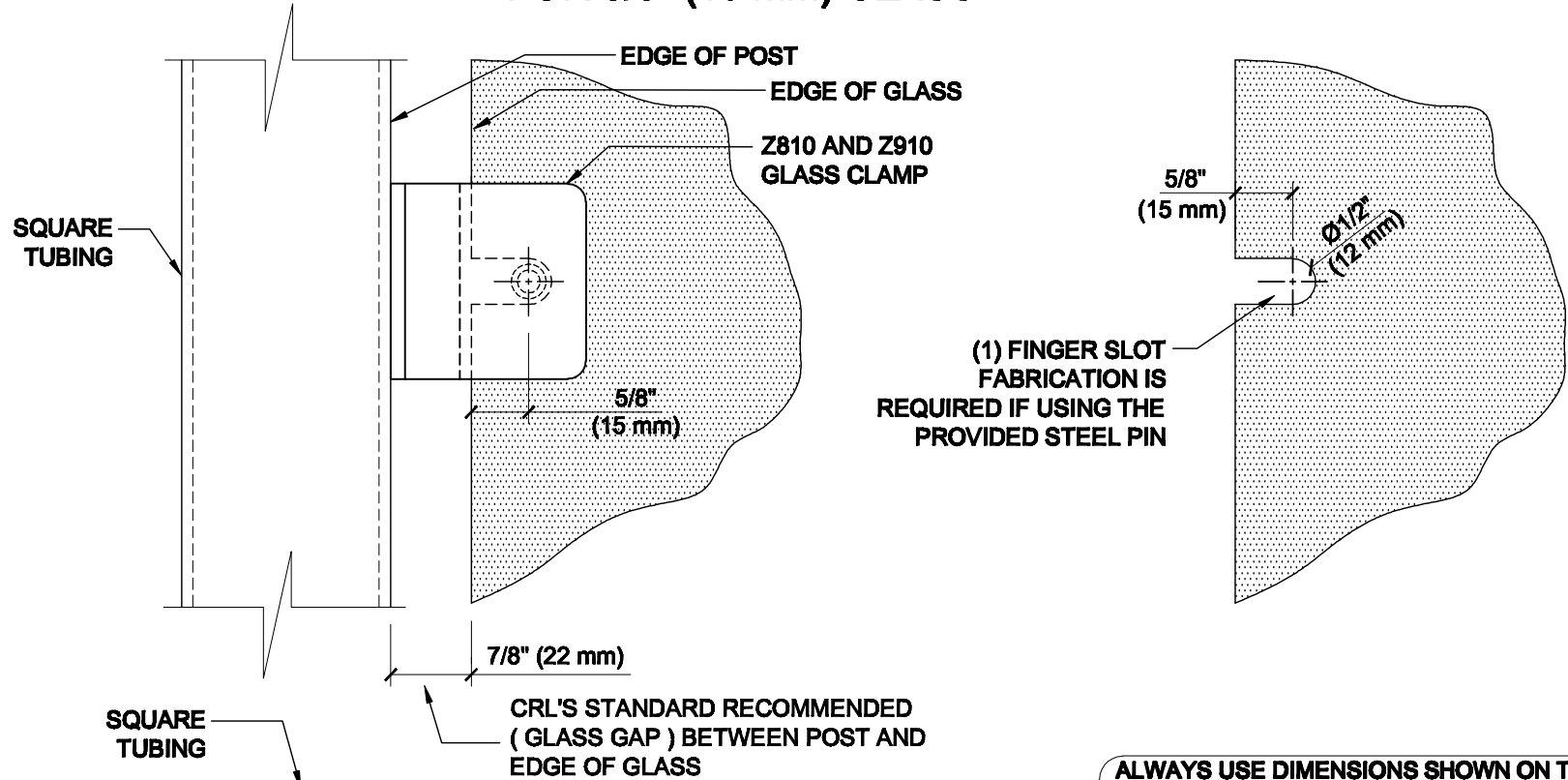


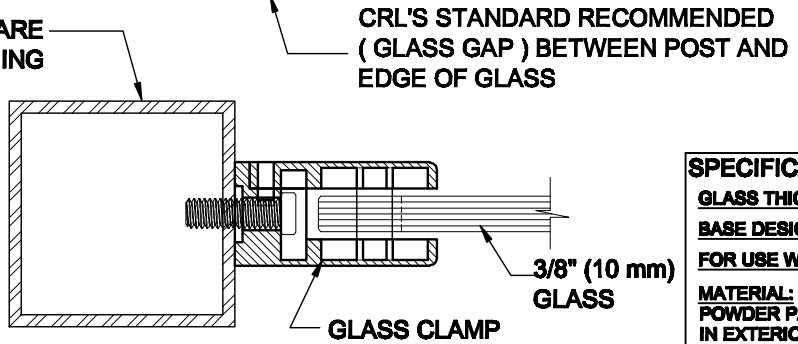
# GLASS FABRICATION TEMPLATE FOR THE Z-SERIES SQUARE TYPE FLAT BASE CLAMPS FOR 3/8" (10 mm) GLASS



**ALWAYS USE DIMENSIONS SHOWN ON THE PLAN.  
DO NOT SCALE OR DIMENSION ACTUAL DRAWING  
TO ENSURE ACCURACY**

**GLASS FABRICATION  
TEMPLATE USED FOR:**

CATALOG NUMBER
Z810BR
Z810CH
Z810SC
Z810BN
Z810GP
Z810W
Z910BS
Z910PS



**SPECIFICATIONS:**

- GLASS THICKNESS:** MODELS FOR 3/8" (10 mm) GLASS.
- BASE DESIGN:** FLAT BACK
- FOR USE WITH:** SQUARE TUBING OR OTHER FLAT SURFACES.
- MATERIAL:** CHOICE OF ZINC CONSTRUCTED OR STAINLESS STEEL. STAINLESS STEEL OR POWDER PAINTED ZINC CLAMPS ARE RECOMMENDED FOR MORE DURABILITY IN EXTERIOR APPLICATIONS.
- GLASS FABRICATION:** FOR 3/8" (10mm), THICK GLASS. 1/2" (12mm) FINGER SLOT REQUIRED IF USING PROVIDED STEEL PIN FOR GLASS SUPPORT
- INCLUDES:** RUBBER GASKETS AND STEEL PIN (FOR OPTIONAL USE) WITH GROMMET.



**ARCHITECTURAL PRODUCTS**  
 PH: 800-421-6144 FX: 800-262-3299  
 WWW.CRLAURENCE.COM

**DESCRIPTION:**  
**Z-SERIES SQUARE TYPE FLAT BASE GLASS CLAMP**  
**FOR 3/8" (10 mm) THICK GLASS**

<b>CAT. NO:</b> (SEE CHART)	<b>DATE:</b> 10/23/09
<b>FILE NAME:</b> Z810 -Gls Fab REV	<b>SCALE:</b> N.T.S.
<b>DRAWN BY:</b> R.A.	<b>CHECKED BY:</b> C.H.
<b>SHT 1 OF 1</b>	