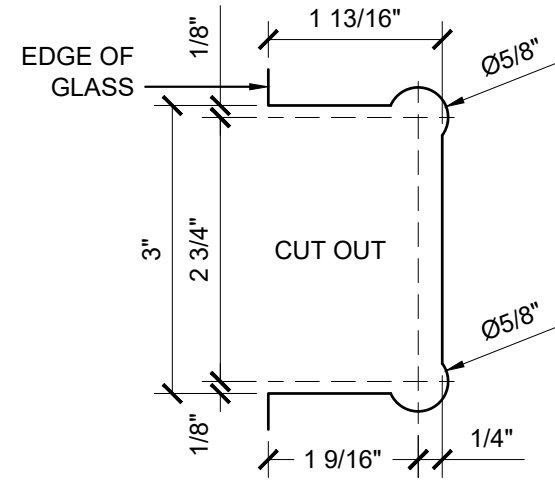
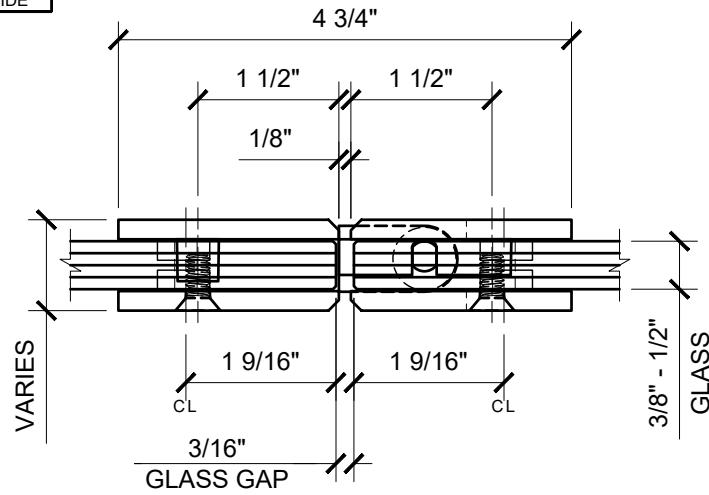
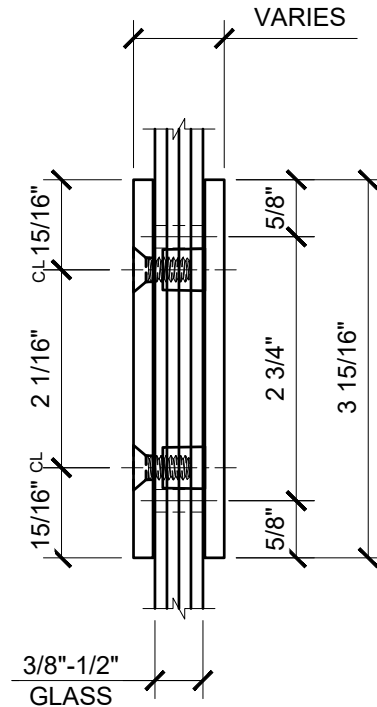
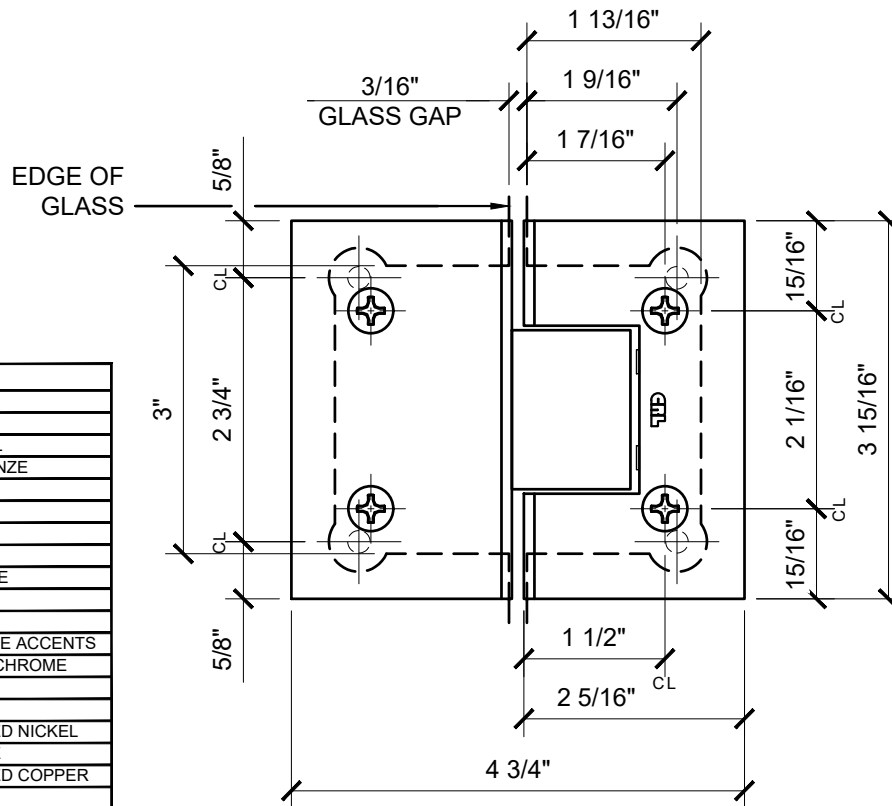


USE OF GASKETS

FOR 3/8" (10mm) GLASS: USE ONE THICK GASKET ON EACH SIDE
 FOR 1/2" (12mm) GLASS: USE ONE THIN GASKET ON EACH SIDE



TEMPLATE FOR DOOR AND FIXED PANEL ARE THE SAME



V1E180XX - CRL VIENNA SERIES 180° GLASS TO GLASS STANDARD HINGE

CATALOG NUMBER	FINISH
V1E180CH	CHROME
V1E180BN	BRUSHED NICKEL
V1E180PN	POLISHED NICKEL
V1E180ORB	OIL RUBBED BRONZE
V1E180BR	BRASS
V1E180MBL	MATTE BLACK
V1E180SB	SATIN BRASS
V1E180SN	SATIN NICKEL
V1E180BBRZ	BRUSHED BRONZE
V1E180SC	SATIN CHROME
V1E180ABR	ANTIQUE BRASS
V1E180BL	BLACK W/ CHROME ACCENTS
V1E180BSC	BRUSHED SATIN CHROME
V1E180GB	GOLD PLATED
V1E180AW	ALL WHITE
V1E180ABN	ANTIQUE BRUSHED NICKEL
V1E180ABRZ	ANTIQUE BRONZE
V1E180ABC0	ANTIQUE BRUSHED COPPER
V1E180GM	GUN METAL
V1E180CBA	CHROME W/ BRASS ACCENTS
V1E180BC0	BRUSHED COPPER
V1E180ABL	ALL BLACK
V1E180WC	WHITE W/ CHROME ACCENTS

C.R.LAURENCE CO. ARCHITECTURAL PRODUCTS
 2503 E. Vernon Avenue, Los Angeles, C.A 90058-1897
 PH (800)-421-6144 FX: 800-587-7501 www.crlaurence.com

DESCRIPTION: CRL V1E180

VIENNA SERIES
 180° GLASS TO GLASS STANDARD HINGE

DATE: 10/20/17
 SCALE: 6"=1'-0"
 DRAWN BY: VM

