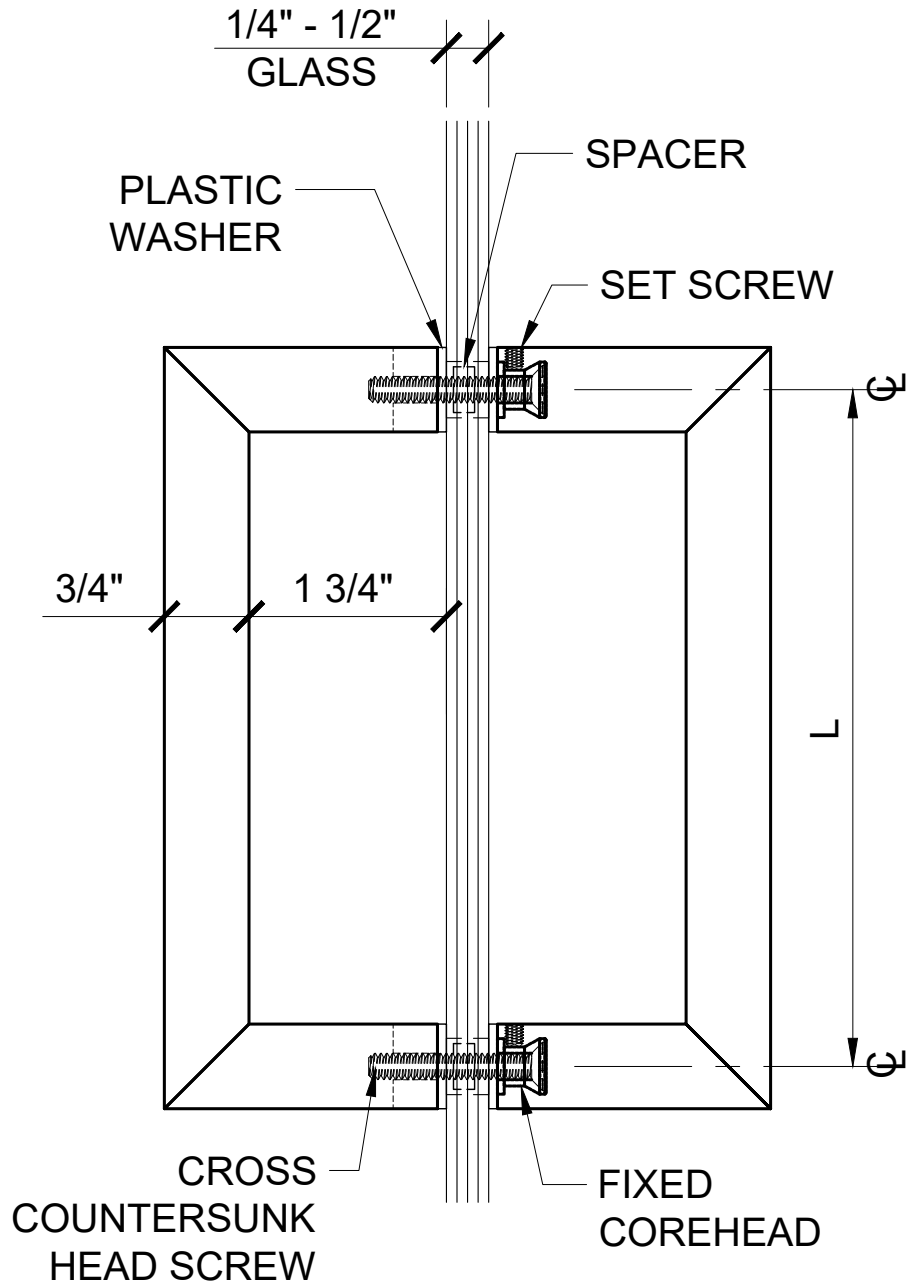
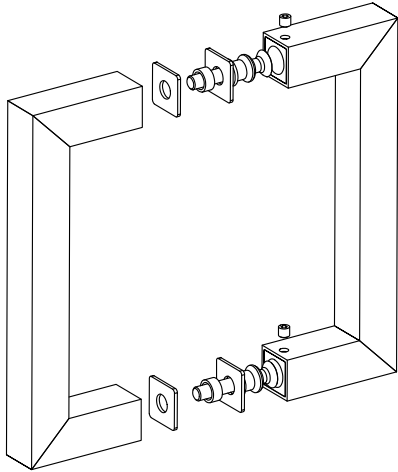


3/4" (19mm) Square Brass Tubing
Glass Thickness Range: 1/4" to 1/2" (6mm to 12 mm)
Hole Diameter Required: 1/2" (12 mm) (2)



PART NUMBER	FINISH	L
SQ6X6CH	POLISHED CHROME	6"
SQ6X6BR	POLISHED BRASS	6"
SQ6X60RB	OIL RUBBED BRONZE	6"
SQ6X6BN	BRUSHED NICKEL	6"
SQ6X6BSC	BRUSHED SATIN CHROME	6"
SQ6X6MBL	MATTE BLACK	6"
SQ6X6PN	POLISHED NICKEL	6"
SQ6X6SC	SATIN CHROME	6"
SQ6X6SN	SATIN NICKEL	6"
SQ6X6W	WHITE	6"

SQ8X8CH	POLISHED CHROME	8"
SQ8X8BR	POLISHED BRASS	8"
SQ8X80RB	OIL RUBBED BRONZE	8"
SQ8X8BN	BRUSHED NICKEL	8"
SQ8X8BSC	BRUSHED SATIN CHROME	8"
SQ8X8MBL	MATTE BLACK	8"
SQ8X8PN	POLISHED NICKEL	8"
SQ8X8SC	SATIN CHROME	8"
SQ8X8SN	SATIN NICKEL	8"
SQ8X8W	WHITE	8"

SQ18X18CH	POLISHED CHROME	18"
SQ18X18BR	POLISHED BRASS	18"
SQ18X180RB	OIL RUBBED BRONZE	18"
SQ18X18BN	BRUSHED NICKEL	18"
SQ18X18MBL	MATTE BLACK	18"
SQ18X18PN	POLISHED NICKEL	18"
SQ18X18SC	SATIN CHROME	18"
SQ18X18SN	SATIN NICKEL	18"
SQ18X18W	WHITE	18"

SQ24X24CH	POLISHED CHROME	24"
SQ24X24BR	POLISHED BRASS	24"
SQ24X240RB	OIL RUBBED BRONZE	24"
SQ24X24BN	BRUSHED NICKEL	24"
SQ24X24MBL	MATTE BLACK	24"
SQ24X24PN	POLISHED NICKEL	24"
SQ24X24SC	SATIN CHROME	24"
SQ24X24SN	SATIN NICKEL	24"
SQ24X24W	WHITE	24"



C.R. LAURENCE CO. ARCHITECTURAL PRODUCTS
 2503 E. Vernon Avenue, Los Angeles, C.A 90058-1897
 PH (800)-421-6144 FX: 800-587-7501 www.crlaurence.com

DESCRIPTION: CRL SQUARE TUBING PULL HANDLE & TOWEL BAR
 PART #: SQ SERIES BTB

DATE: 11/12/2018
 SCALE: NTS
 DRAWN BY: VM