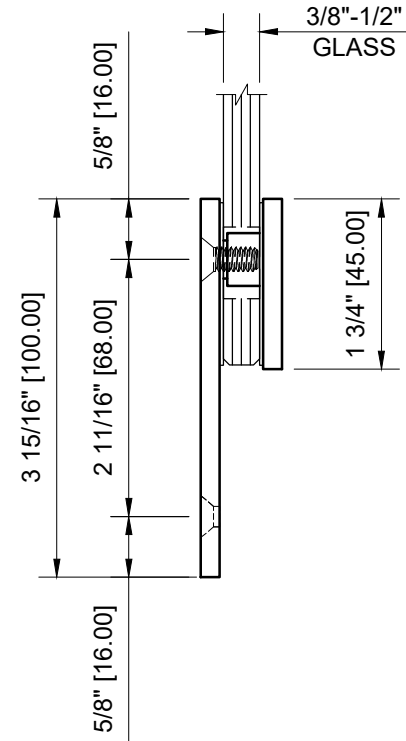
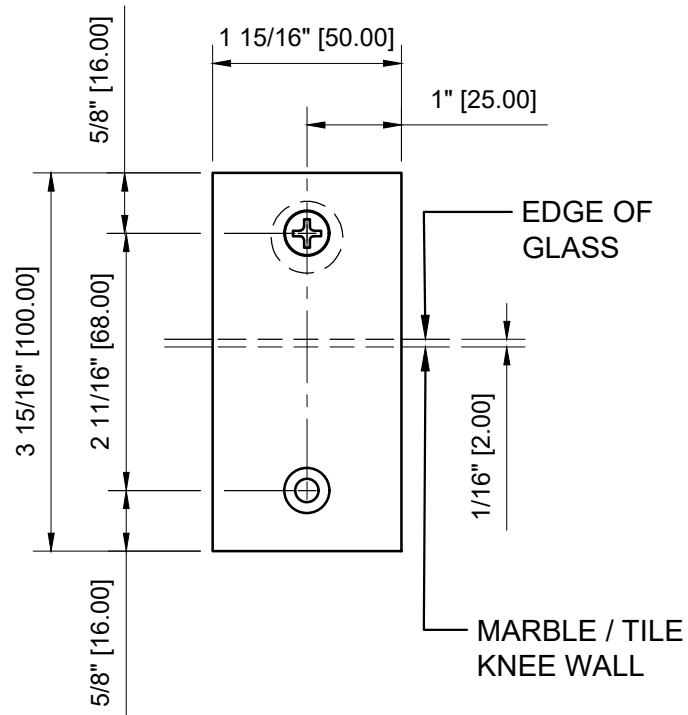
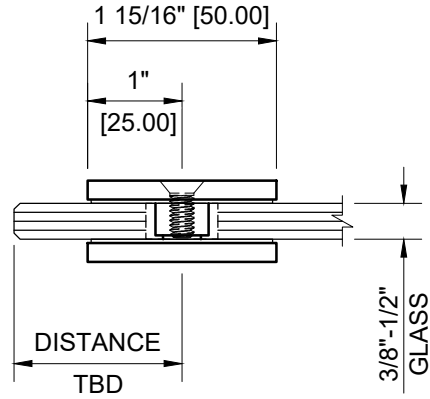


USE OF GASKETS

FOR 3/8" (10mm) GLASS:

FOR 1/2" (12mm) GLASS:



CATALOG NUMBER	FINISH
SGC1820RB	OIL RUBBED BRONZE
SGC182BN	BRUSHED NICKEL
SGC182BR	POLISHED BRASS
SGC182CH	POLISHED CHROME
SGC182MBL	MATTE BLACK

SGC182XX - CRL SQUARE CORNER STYLE "Y" INLINE WALL TO GLASS CLAMPS

DATE: 12-3-2019  
 SCALE: 6"=1'-0"  
 DRAWN BY: VM

DESCRIPTION: CRL - SQUARE CORNER GLASS CLAMP  
 'Y' INLINE WALL TO GLASS APPLICATION

C.R. LAURENCE CO. ARCHITECTURAL PRODUCTS  
 2503 E. Vernon Avenue, Los Angeles, CA 90058-1897  
 PH (800)-421-6144 FX: 800-587-7501 www.crlaurence.com

