



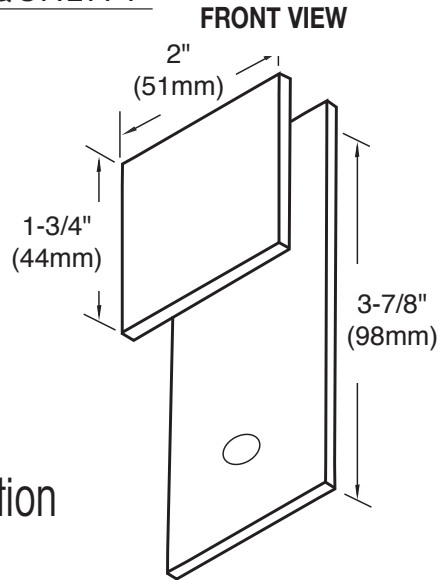
C.R. LAURENCE CO., INC.
PROFESSIONAL QUALITY

GLASS CLAMPS

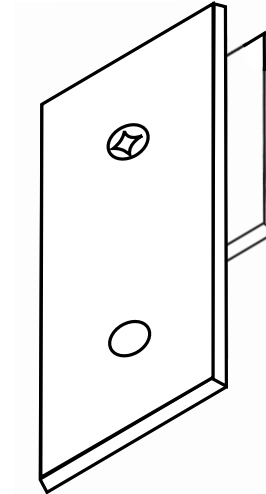
Square Style

"Y" Inline Wall-to-Glass Application

CAT. No. SGC182



REAR VIEW



Specifications:

Material: Solid brass

Glass Thickness Range: 5/16" (8mm) to 1/2" (12mm)

Hole Size Required: 5/8" (16mm) or 3/4" (19mm)

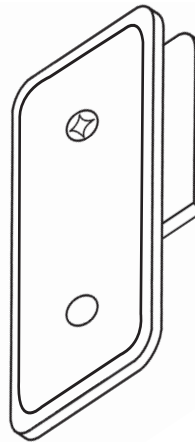
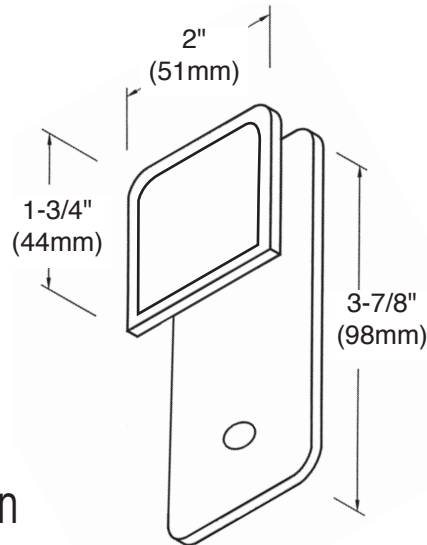
Includes: Mounting screws and gaskets

GLASS CLAMPS

Beveled Style

"Y" Inline Wall-to-Glass Application

CAT. No. BGC182



Specifications:

Material: Solid brass

Glass Thickness Range: 5/16" (8mm) to 1/2" (12mm)

Hole Size Required: 5/8" (16mm) or 3/4" (19mm)

Includes: Mounting screws and gaskets

Template Shown on Next Page

FRONT VIEW

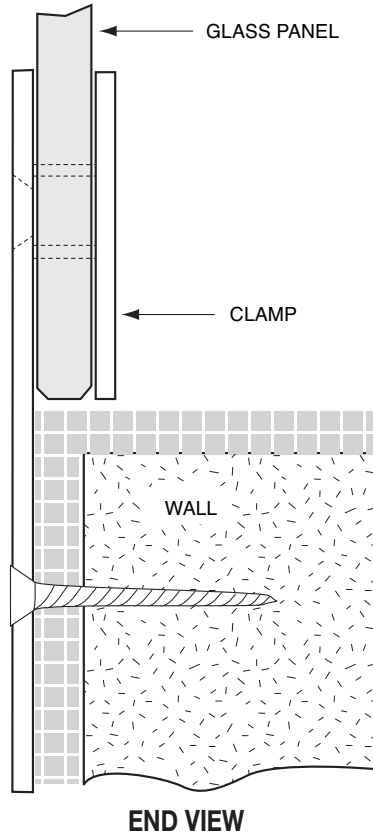
REAR VIEW

4X-28A

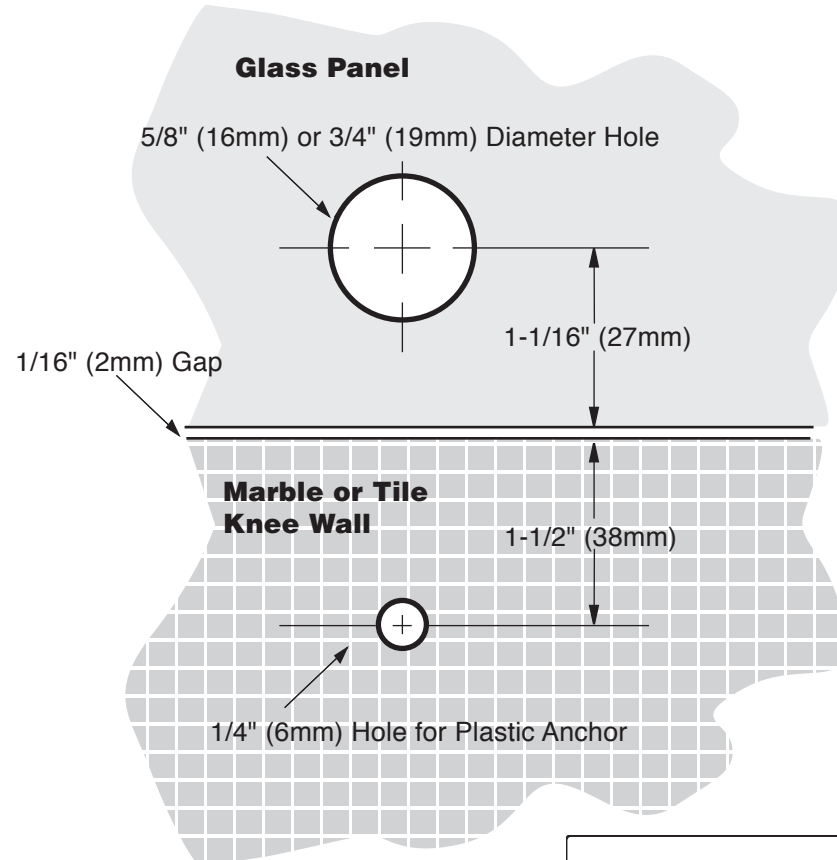


C.R. LAURENCE CO., INC.
PROFESSIONAL QUALITY

TYPICAL INSTALLATION



Important: Project measurements from the edge of glass.



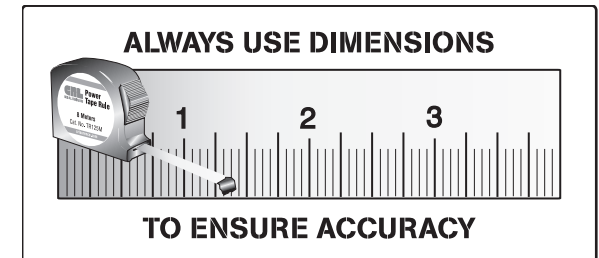
GLASS CLAMPS

Square Style "Y" Inline Wall-to-Glass Application

CAT. No. SGC182

Beveled Style "Y" Inline Wall-to-Glass Application

CAT. No. BGC182



C.R. Laurence Co., Inc.
crlaurence.com

For technical assistance in the United States call toll free (800) 421-6144; from Canada call toll free (877) 421-6144; Outside the U.S. and Canada call (323) 588-1281. Ask for Tech Sales at Extension 7740. Toll free fax (800) 458-7496.