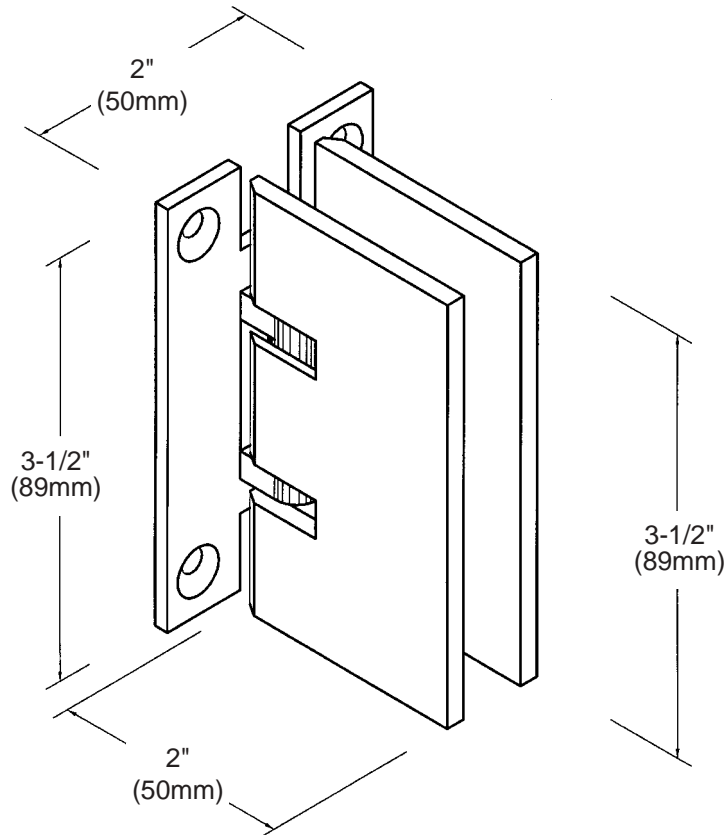




C.R. LAURENCE CO., INC.
PROFESSIONAL QUALITY



Specifications:

Glass Sizes: 3/8" (10mm) to 1/2" (12mm) thick tempered safety glass

Construction: Solid brass

Closing Type: Self-centering when within 15° of closed position

Cutout Required

Includes: Gaskets, screws and template

Use of Gaskets:

For 3/8"(10mm) Glass: Use one thick gasket on each side

For 1/2"(12mm) Glass: Use one thin gasket on each side

Recommendations:

For public safety, we recommend the use of only tempered safety glass.

Do not use power tools when installing these hinges.

Maintenance Guidelines:

- Never use an abrasive cleaner on the hardware. Many of the components are coated with a clear lacquer that will be irreparably damaged if subjected to harsh, abrasive chemicals. Advise your customer that drying the hardware with a clean, soft towel on a daily basis is the best way to maintain the hardware. If mineral deposits build-up, mix a couple of drops of a mild liquid soap (such as Ivory or a similar product) into a cup of warm water. Using a soft, non-abrasive cloth, clean the hardware. Rinse thoroughly with clean, warm water and dry.

CONCORD (FORMERLY LALIQUE)

Wall Mount Hinge

CAT No. SDH037

| *Maximum Door Capacities | 3/8" (10mm) Glass | | 1/2" (12mm) Glass | |
|--------------------------|-------------------|------------|-------------------|------------|
| | Weight | Width | Weight | Width |
| Using 2 Hinges | 80 lbs.(36 kg) | 28"(711mm) | 80 lbs.(36 kg) | 26"(660mm) |
| Using 3 Hinges | 120 lbs.(55 kg) | 34"(864mm) | 120 lbs.(55 kg) | 30"(762mm) |

*NOTE: Do not exceed either maximum weight or width when choosing proper quantity of hinges.