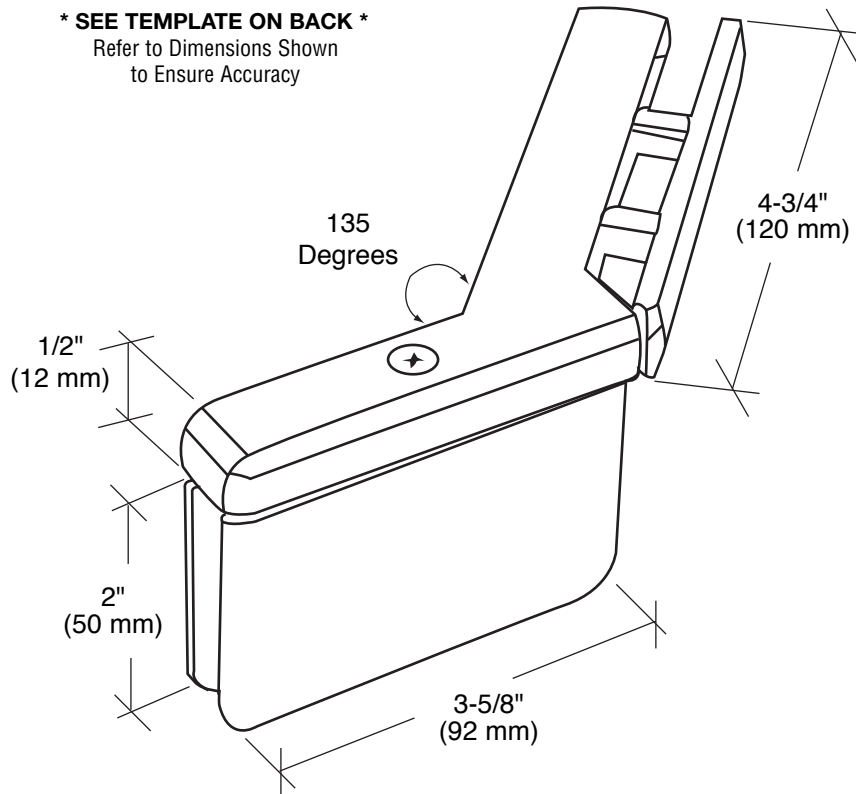




**C.R. LAURENCE CO., INC.**  
PROFESSIONAL QUALITY

**\* SEE TEMPLATE ON BACK \***  
Refer to Dimensions Shown  
to Ensure Accuracy



# PRIMA

## 135° Glass-to-Glass Hinge

**CAT. No. PPH135R**

**(RIGHT HAND VIEWED FROM SHOWER EXTERIOR)**

*Maximum Door Capacities	5/16" (8 mm) Glass Weight	5/16" (8 mm) Glass Width	3/8" (10 mm) Glass Weight	3/8" (10 mm) Glass Width
Using 2 Hinges	100 lbs.(46 kg)	31"(787 mm)	100 lbs.(46 kg)	31"(787 mm)

**\*NOTE:** Do not exceed either maximum weight or width.

## Important Information:

**NOTE:** Fixed panel must be at least 2" (51 mm) above door.

**Optional Pivot Pins:** Optional 5 degree Pivot Pins (Cat. No. P1VP1N) may be purchased separately. The P1VP1N is sold as a set, one pin for the top hinge and one pin for the bottom hinge. These 5° offset Pivot Pins allow the installer to adjust the closing position of the door 5° inwards or outwards.

## Specifications:

**Glass Sizes:** 5/16" (8 mm) to 3/8" (10 mm) thick tempered safety glass

**Construction:** Solid brass

**Closing Type:** Self-centering when within 15° of closed position

**Cutout and Holes Required**

**Includes:** Gaskets, screws and template

## Use of Gaskets:

**For 5/16" (8 mm) Glass:** Use one thick gasket and one thin gasket on each side

**For 3/8" (10 mm) Glass:** Use one thick gasket on each side

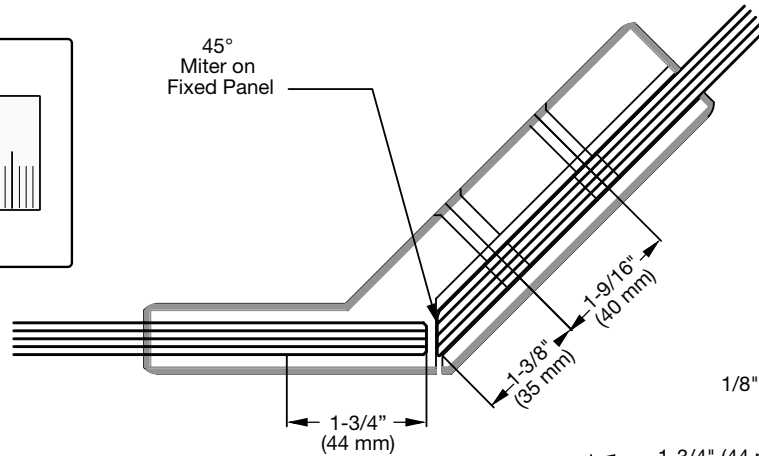
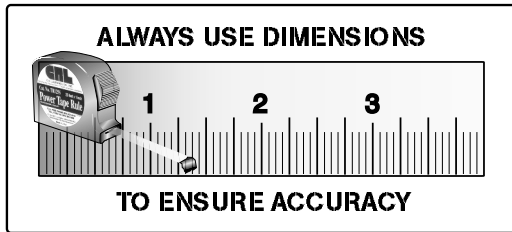
## Recommendations:

For public safety, we recommend the use of only tempered safety glass.

Do not use power tools when installing these hinges.

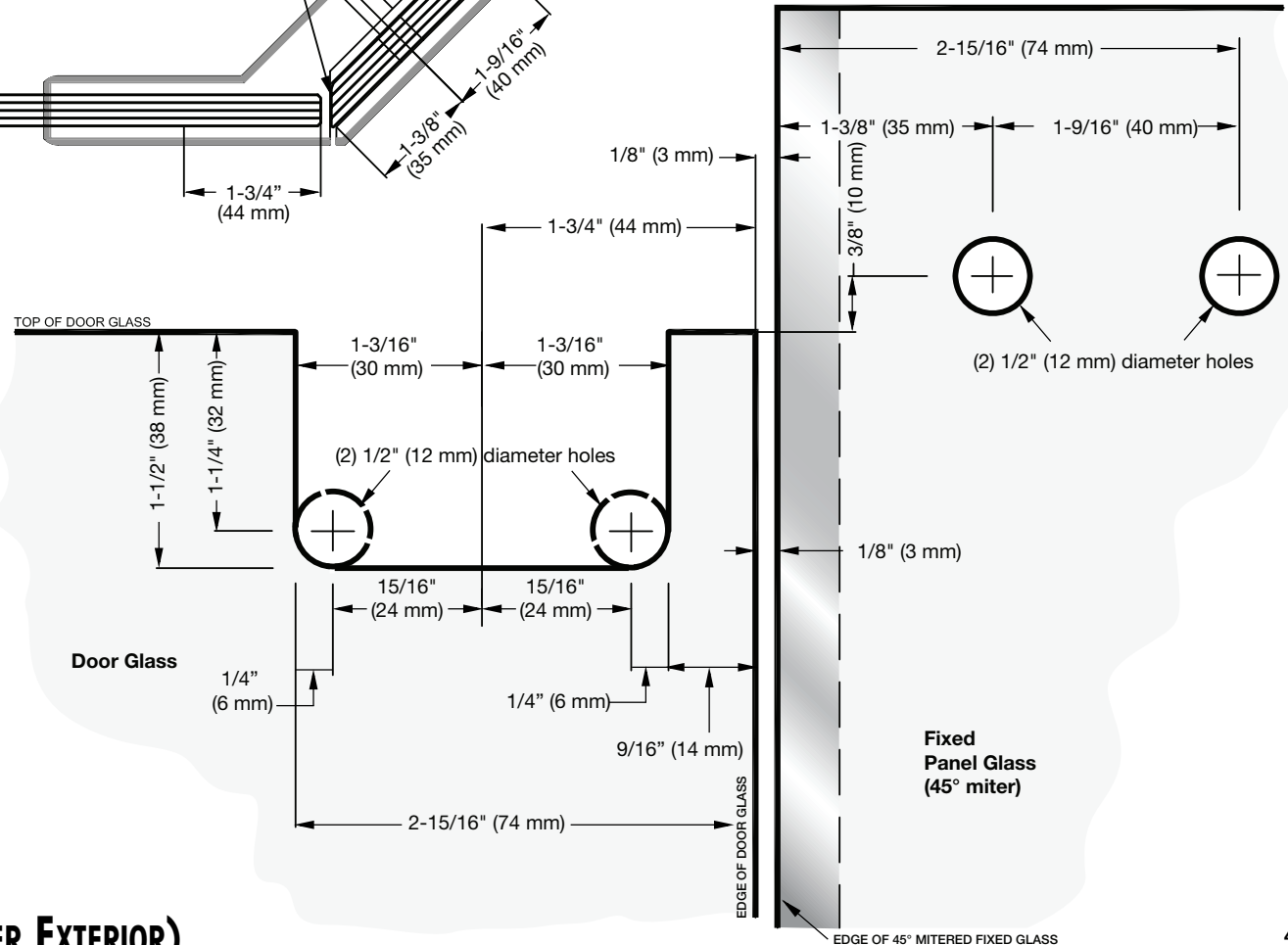
## Maintenance Guidelines:

- Never use an abrasive cleaner on the hardware. Many of the components are coated with a clear lacquer that will be irreparably damaged if subjected to harsh, abrasive chemicals. Advise your customer that drying the hardware with a clean, soft towel on a daily basis is the best way to maintain the hardware. If mineral deposits build-up, mix a couple of drops of a mild liquid soap (such as Ivory or a similar product) into a cup of warm water. Using a soft, non-abrasive cloth, clean the hardware. Rinse thoroughly with clean, warm water and dry.



**NOTE:** Fixed panel must be at least 2" (51 mm) above door

**IMPORTANT:**  
Project measurements from the edge of the glass.



**PRIMA**  
135° Glass-to-Glass Hinge  
Cat. No. PPH135R  
(RIGHT HAND VIEWED FROM SHOWER EXTERIOR)