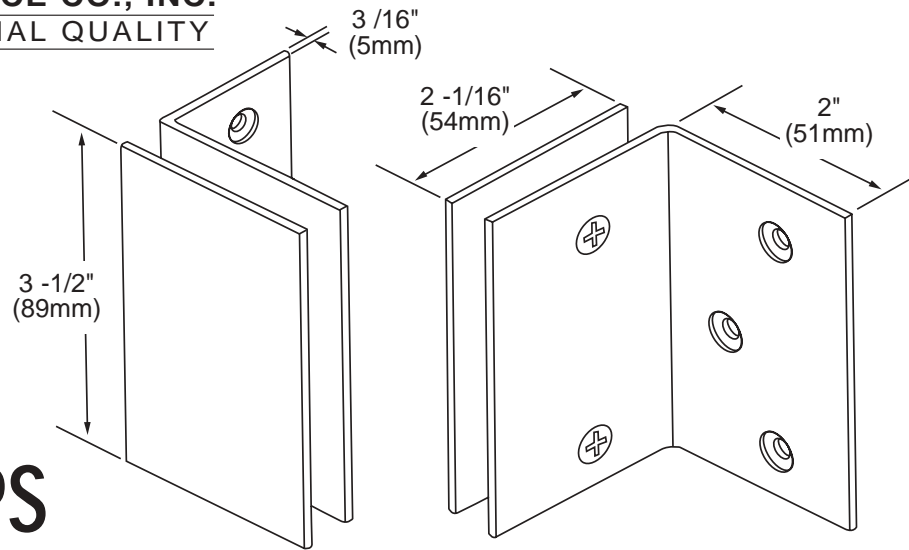




**C.R. LAURENCE CO., INC.**  
 PROFESSIONAL QUALITY



FRONT VIEW

REAR VIEW

**Specifications:**

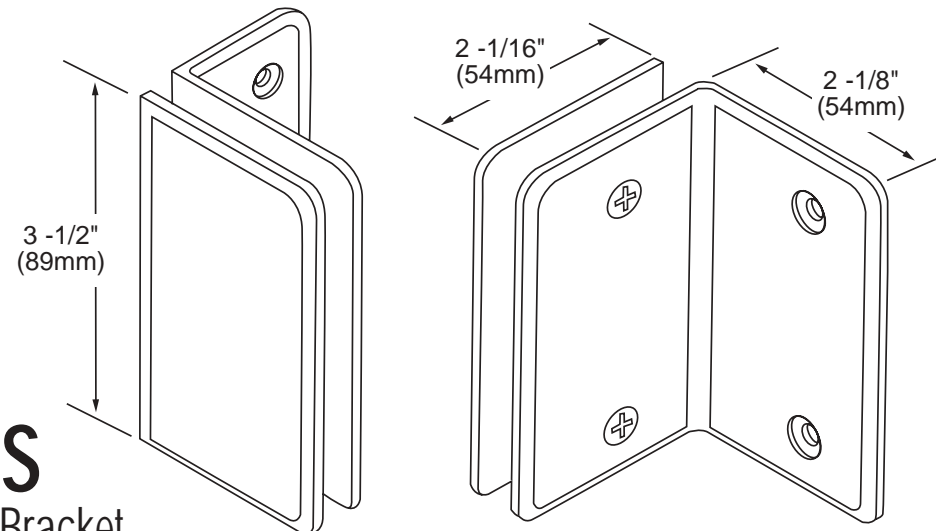
**Material:** Solid Brass  
**Glass Thickness:** 3/8" (10mm) to 1/2" (12mm)  
**Hole Size Required:** 3/4" (19mm)  
**Includes:** Mounting screws and gaskets

**GLASS CLAMPS**

Geneva Wall Bracket

CAT No. GE90S

Template Shown on Next Page



FRONT VIEW

REAR VIEW

**Specifications:**

**Material:** Solid Brass  
**Glass Thickness:** 3/8" (10mm) to 1/2" (12mm)  
**Hole Size Required:** 3/4" (19mm)  
**Includes:** Mounting screws and gaskets

**GLASS CLAMPS**

Pinnacle and Prima Wall Bracket

CAT No. P190S

Template Shown on Next Page