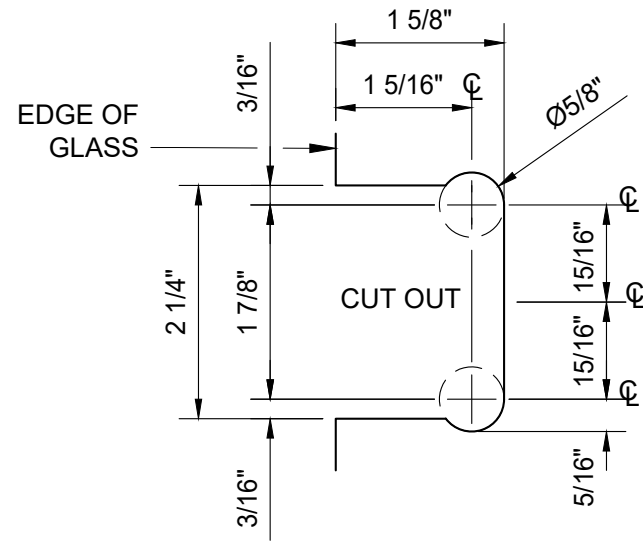
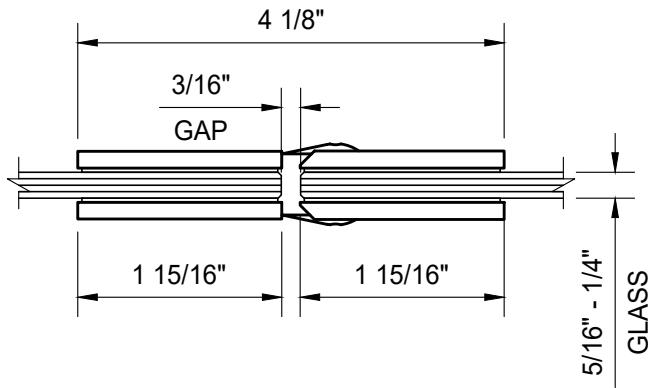


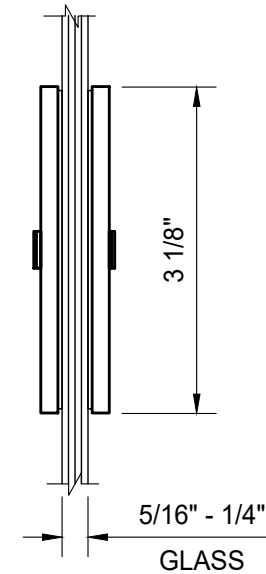
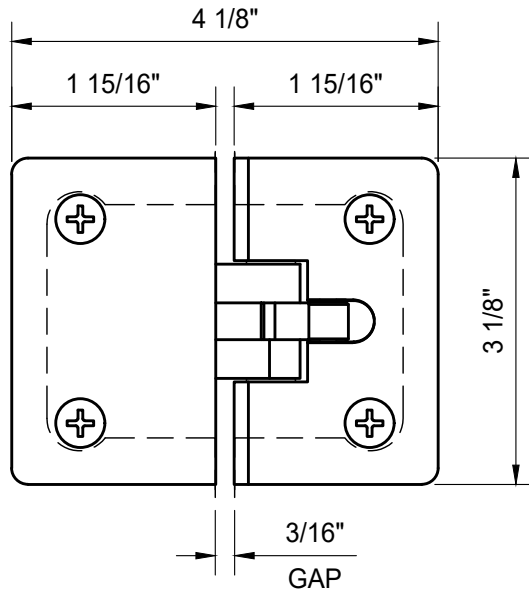
USE OF GASKETS

FOR 1/4" (6mm) GLASS: USE ONE THICK GASKET ON EACH SIDE

FOR 5/16" (8mm) GLASS: USE ONE THIN GASKET ON EACH SIDE



GLASS FABRICATION TEMPLATE



M1L180XX - CRL MILANO 180 DEGREE GLASS TO GLASS HINGE

CATALOG NUMBER	FINISH
M1L180CH	POLISHED CHROME
M1L180BR	POLISHED BRASS
M1L180SC	SATIN CHROME

DATE: 3/19/19
SCALE: 6"=1'-0"
DRAWN BY: VM

DESCRIPTION: CRL M1L180___
CRL MILANO SERIES HINGE
180 DEGREE GLASS TO GLASS MOUNT

C.R.LAURENCE CO. ARCHITECTURAL PRODUCTS
2503 E. Vernon Avenue, Los Angeles, C.A 90058-1897
PH (800)-421-6144 FX: 800-387-7501 www.crlaurence.com
CRL
ALUMINIUM
A CRL COMPANY