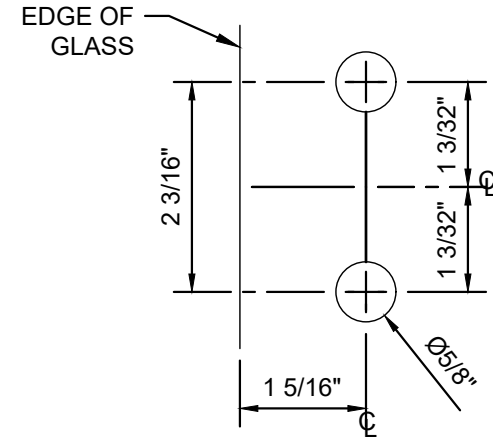
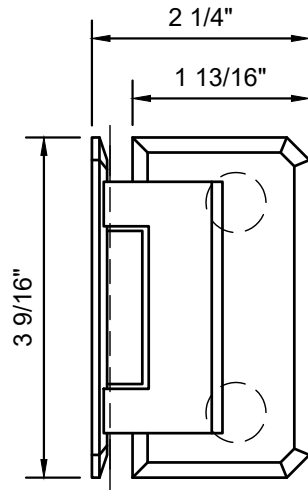
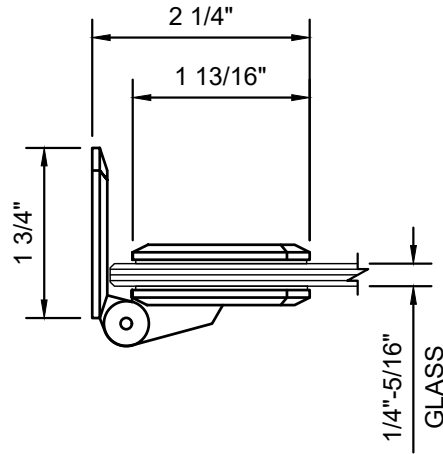


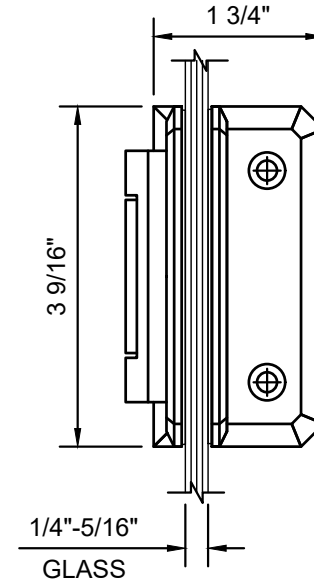
USE OF GASKETS

FOR 1/4" (6mm) GLASS: USE ONE THICK GASKET ON EACH SIDE

FOR 5/16" (8mm) GLASS: USE ONE THIN GASKET ON EACH SIDE



GLASS FABRICATION TEMPLATE



CATALOG NUMBER	FINISH
M0N244CH	POLISHED CHROME
M0N244BN	BRUSHED NICKEL

M0N244XX - CRL MONACO SERIES WALL MOUNT OFFSET BACK PLATE HINGE

DATE: 3/5/19

SCALE: 6"=1'-0"

DRAWN BY: VM

DESCRIPTION: CRL MONACO SERIES HINGE

MON244 WALL MOUNT  
OFFSET BACK PLATE HINGE

C.R.LAURENCE CO. ARCHITECTURAL PRODUCTS  
2503 E. Vernon Avenue, Los Angeles, CA 90058-1897  
PH (800)-421-6144 FX: 800-587-7501 www.crlaurence.com

