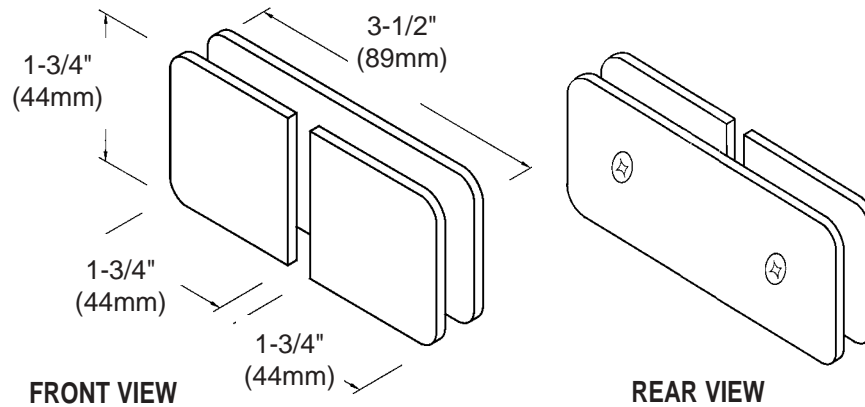




C.R. LAURENCE CO., INC.
PROFESSIONAL QUALITY

GLASS CLAMPS
180° Split Face
(Glass-to-Glass Application)
CAT. No. GCB182

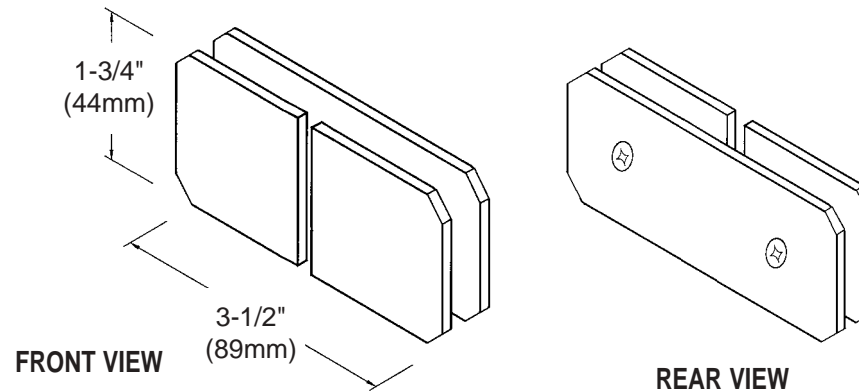


Note: The GCB182 and M0682 Clamp shown on this page can also be used in a wall-to-glass "Y" inline application. For information on this see pages 4X-23 and 4X-24.

Specifications:

Material: Solid brass
Glass Thickness Range: 5/16" (8mm) to 1/2" (12mm)
Hole Size Required: 5/8" (16mm) or 3/4" (19mm)
Includes: Mounting screws and gaskets

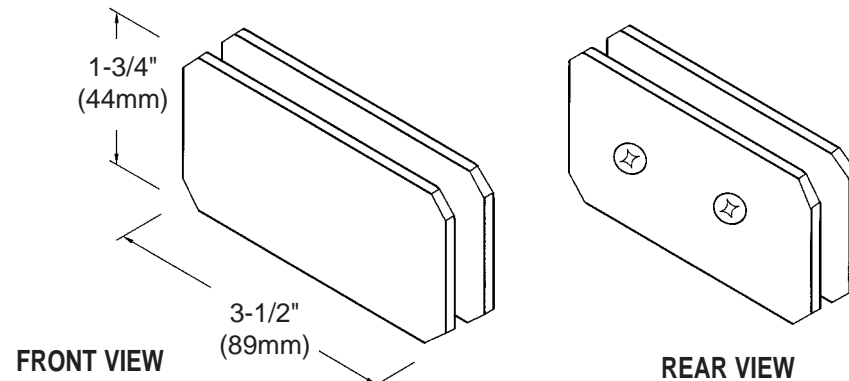
GLASS CLAMPS
180° Monaco Split Face
(Glass-to-Glass Application)
CAT. No. M0682



Specifications:

Material: Solid brass
Glass Thickness Range: 1/4"(6mm) to 5/16" (8mm)
Hole Size Required: 5/8" (16mm) or 3/4" (19mm)
Includes: Mounting screws and gaskets

GLASS CLAMPS
180° Monaco Double Stud
CAT. No. M0684



Specifications:

Material: Solid brass
Glass Thickness Range: 1/4"(6mm) to 5/16" (8mm)
Hole Size Required: 5/8" (16mm) or 3/4" (19mm)
Includes: Mounting screws and gaskets

Template Shown on Next Page

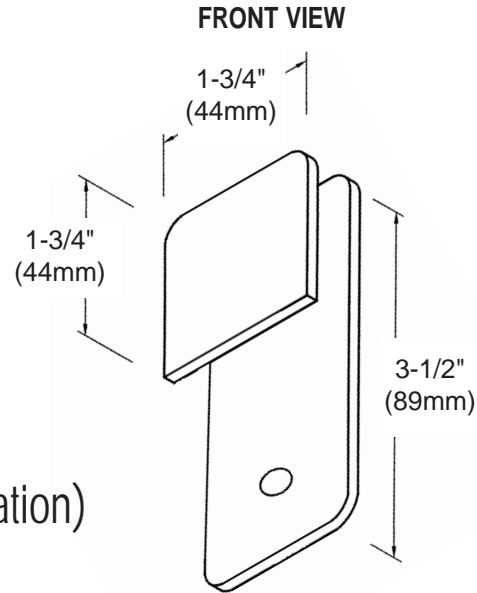


Note: The clamp shown on this page can also be used in a glass-to-glass application. For information on this see pages 4X-21 and 4X-22.

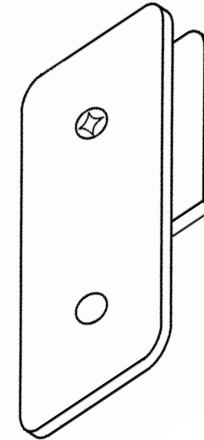
GLASS CLAMPS

180° Split Face Glass Clamp
("Y" Inline Wall-to-Glass Application)

CAT. No. GCB182



REAR VIEW



Specifications:

Material: Solid brass

Glass Thickness Range: 5/16" (8mm) to 1/2" (12mm)

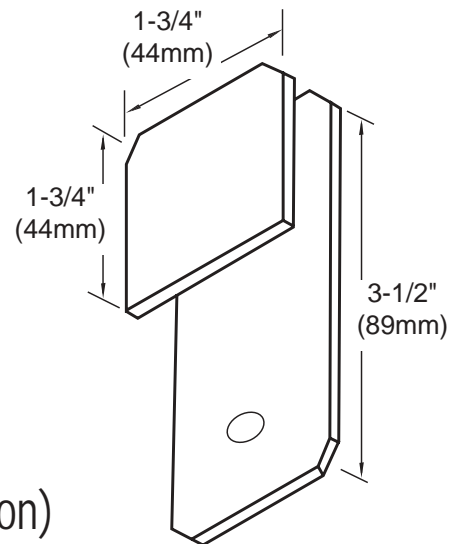
Hole Size Required: 5/8" (16mm) or 3/4" (19mm)

Includes: Mounting screws and gaskets

GLASS CLAMPS

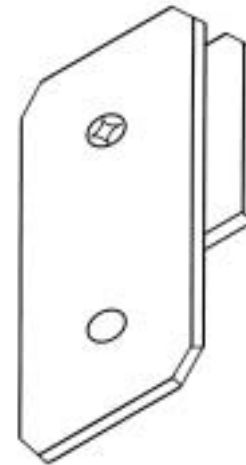
180° Monaco Split Face Clamp
("Y" Inline Wall-to-Glass Application)

CAT. No. M0682



FRONT VIEW

REAR VIEW



Specifications:

Material: Solid brass

Glass Thickness Range: 1/4" (6mm) to 5/16" (8mm)

Hole Size Required: 5/8" (16mm) or 3/4" (19mm)

Includes: Mounting screws and gaskets

Template Shown on Next Page



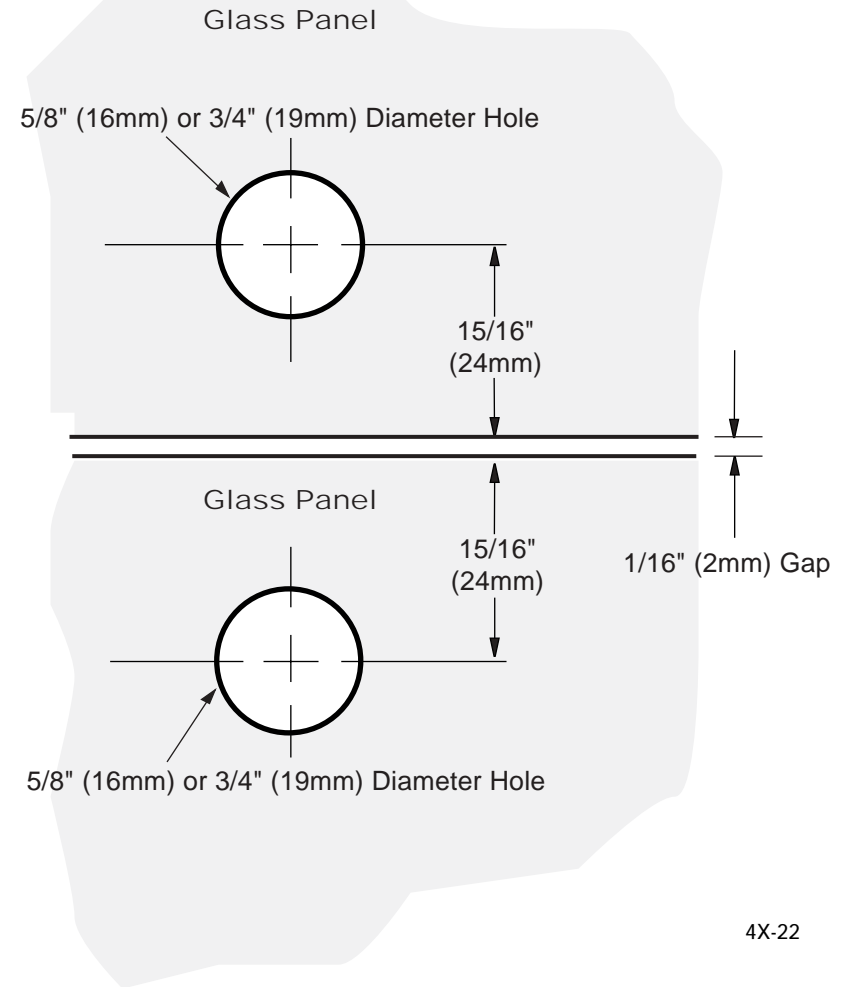
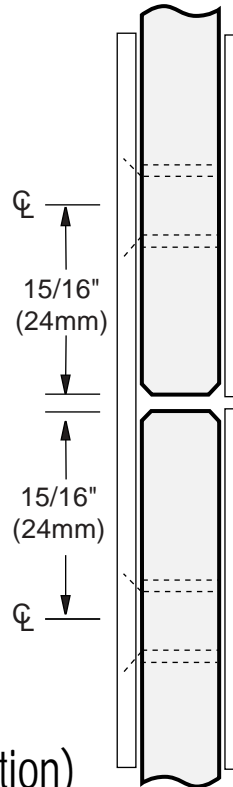
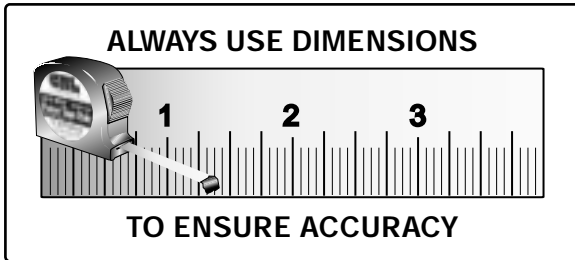
C.R. LAURENCE CO., INC.
PROFESSIONAL QUALITY

Note: The Clamp shown on this page can also be used in a wall-to-glass "Y" inline application. For information on this see pages 4X-23 and 4X-24.

TYPICAL INSTALLATION

TEMPLATE FOR 180° GLASS-TO-GLASS APPLICATION

Important: Project measurements from the edge of the glass.



GLASS CLAMPS

180° Split Face (Glass-to-Glass Application)

CAT. No. **GCB182**

180° Monaco Split Face (Glass-to-Glass Application)

CAT. No. **M0682**

180° Monaco Double Stud

CAT. No. **M0684**