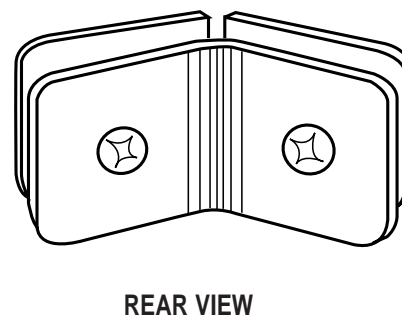
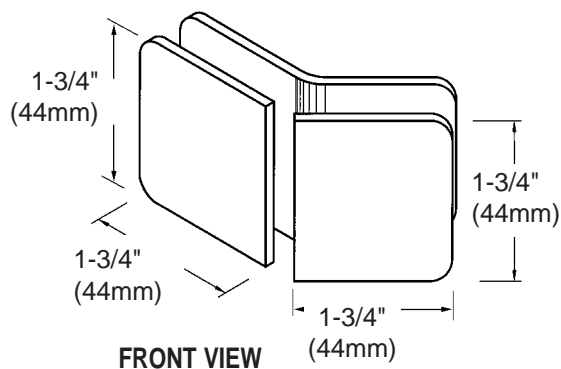




**C.R. LAURENCE CO., INC.**  
 PROFESSIONAL QUALITY

**GLASS CLAMPS**  
 135° Glass Clamp  
 CAT. No. GCB135

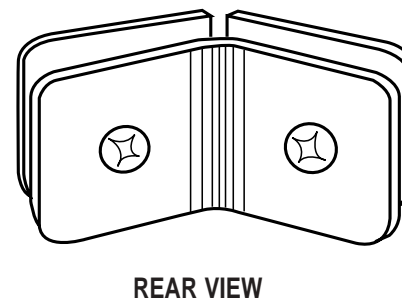
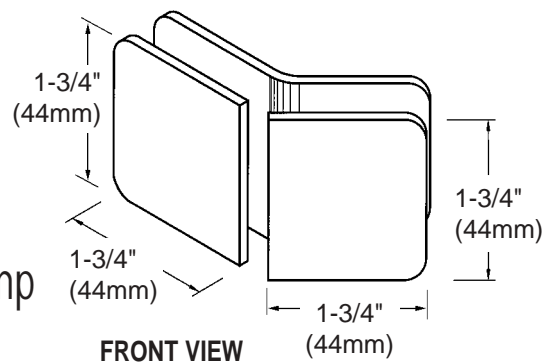


**Specifications:**

**Material:** Solid brass  
**Glass Thickness Range:** 5/16" (8mm) to 1/2" (12mm)  
**Hole Size Required:** 5/8" (16mm) or 3/4" (19mm)  
**Includes:** Mounting screws and gaskets

Template Shown on Next Page

**GLASS CLAMPS**  
 Junior 135° Glass Clamp  
 CAT. No. GCB635

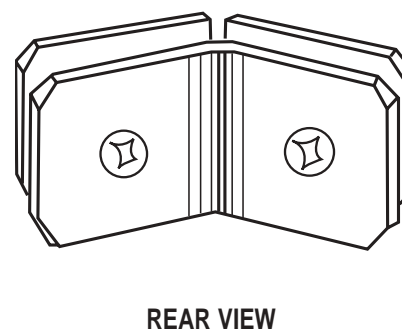
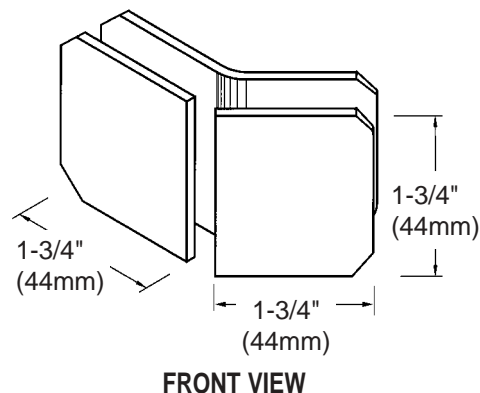


**Specifications:**

**Material:** Solid brass  
**Glass Thickness:** 1/4" (6mm)  
**Hole Size Required:** 5/8" (16mm) or 3/4" (19mm)  
**Includes:** Mounting screws and gaskets

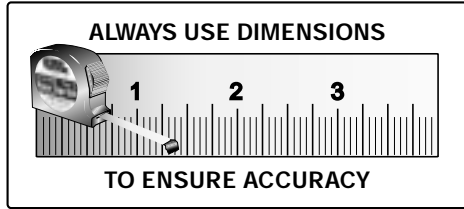
Template Shown on Next Page

**GLASS CLAMPS**  
 Monaco 135<sup>a</sup> Glass Clamp  
 CAT. No. M0635



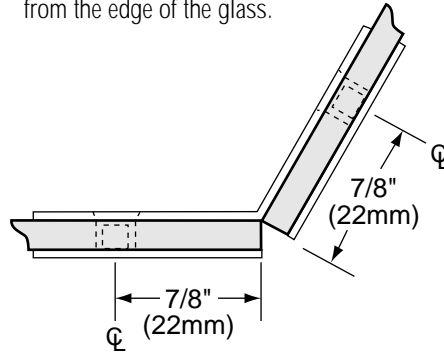
**Specifications:**

**Material:** Solid brass  
**Glass Thickness:** 1/4" (6mm) to 5/16" (8mm)  
**Hole Size Required:** 5/8" (16mm) or 3/4" (19mm)  
**Includes:** Mounting screws and gaskets



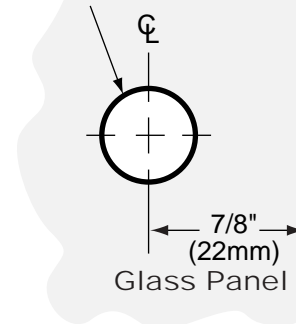
### TYPICAL INSTALLATION

**Important:** Project measurements from the edge of the glass.

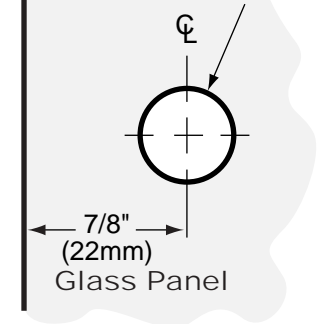


### TEMPLATE OPTION FOR SQUARE CUT GLASS

5/8" (16mm) or 3/4" (19mm) Diameter Hole



5/8" (16mm) or 3/4" (19mm) Diameter Hole



## GLASS CLAMPS

THE TEMPLATE OPTIONS ON THIS PAGE APPLIES TO THE FOLLOWING CLAMPS:

135° Glass Clamp

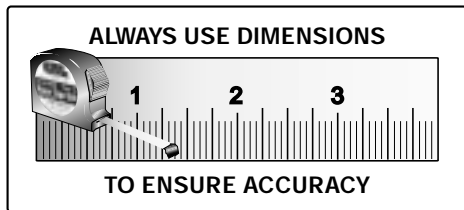
CAT. No. GCB135

Junior 135° Glass Clamp

CAT. No. GCB635

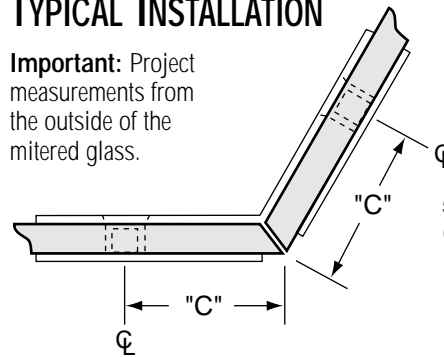
Monaca Glass Clamp

CAT. No. MO635



### TYPICAL INSTALLATION

**Important:** Project measurements from the outside of the mitered glass.

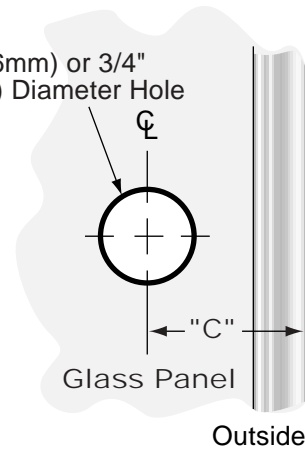


| Glass Thickness | "C"* Measurement |
|-----------------|------------------|
| 1/4" (6mm)      | 1" (25mm)        |
| 5/16" (8mm)     | 1-1/16" (27mm)   |
| 3/8" (10mm)     | 1-1/16" (27mm)   |
| 1/2" (12mm)     | 1-1/8" (29.5mm)  |

\*From outside edge of miter

### TEMPLATE OPTION FOR 22-1/2° MITERED GLASS

5/8" (16mm) or 3/4" (19mm) Diameter Hole



5/8" (16mm) or 3/4" (19mm) Diameter Hole

