

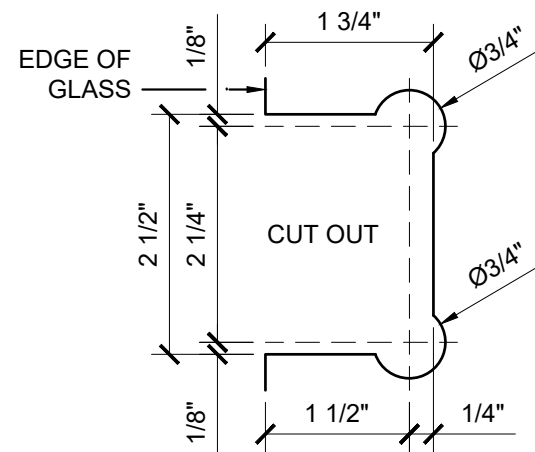
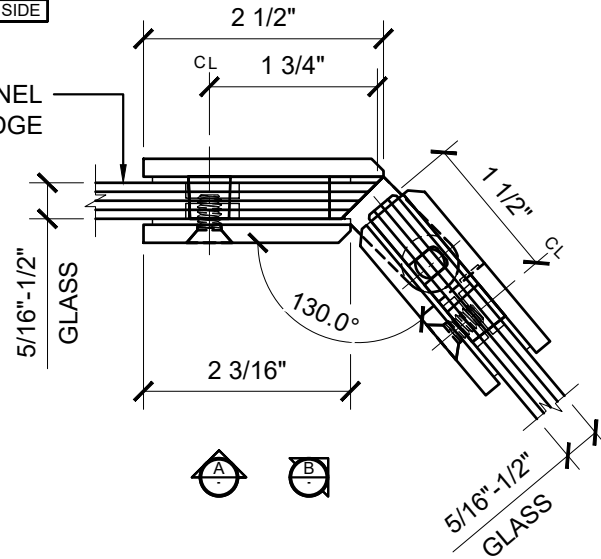
USE OF GASKETS

FOR 5/16" (8mm) GLASS: USE ONE THICK GASKET ON EACH SIDE

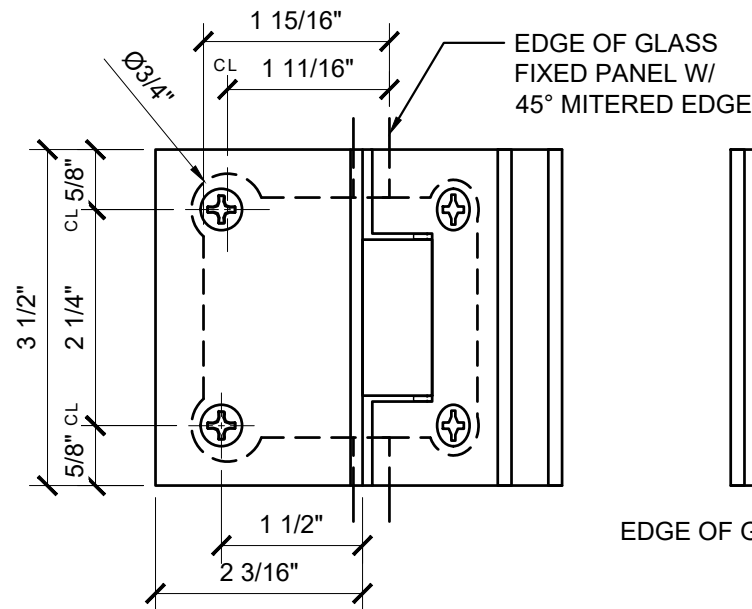
FOR 3/8" (10mm) GLASS: USE ONE THICK GASKET ON EACH SIDE

FOR 1/2" (12mm) GLASS: USE ONE THIN GASKET ON EACH SIDE

FIXED GLASS PANEL
W/ 45° MITERED EDGE

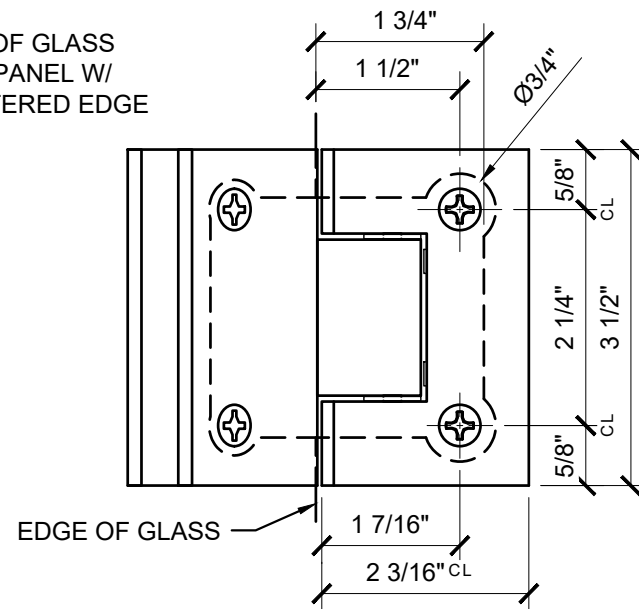


GLASS FABRICATION TEMPLATE 1 OF 2



(A) VIEW

ARCH REF: 6"=1'-0"



(B) VIEW

ARCH REF: 6"=1'-0"

CATALOG NUMBER	FINISH
GEN545CH	CHROME
GEN545BR	BRASS
GEN545ORB	OIL RUBBED BRONZE
GEN545ABC0	ANTIQUÉ BRUSHED COPPER
GEN545ABR	ANTIQUÉ BRASS
GEN545ABRZ	ANTIQUÉ BRONZE
GEN545BBRZ	BRUSHED BRONZE
GEN545AW	ANTIQUÉ WHITE
GEN545BN	BRUSHED NICKEL
GEN545BSC	BRUSHED SATIN CHROME
GEN545GP	GOLD PLATED
GEN545PN	POLISHED NICKEL
GEN545SC	SATIN CHROME
GEN545SN	SATIN NICKEL

GEN545XX - CRL GENEVA 545 SERIES 135 DEGREE GLASS TO GLASS HINGE

DATE: 6/21/17
SCALE: 6"=1'-0"
DRAWN BY: VM

DESCRIPTION: CRL GEN545
GENEVA SERIES 135 DEGREE
GLASS TO GLASS HINGE

C.R.LAURENCE CO. ARCHITECTURAL PRODUCTS
2503 E. Vernon Avenue, Los Angeles, C.A 90058-1897
PH (800)-421-6144 FX: 800-587-7501 www.crlaurence.com

