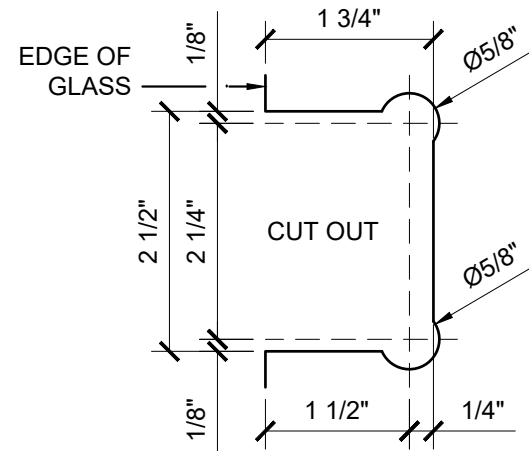
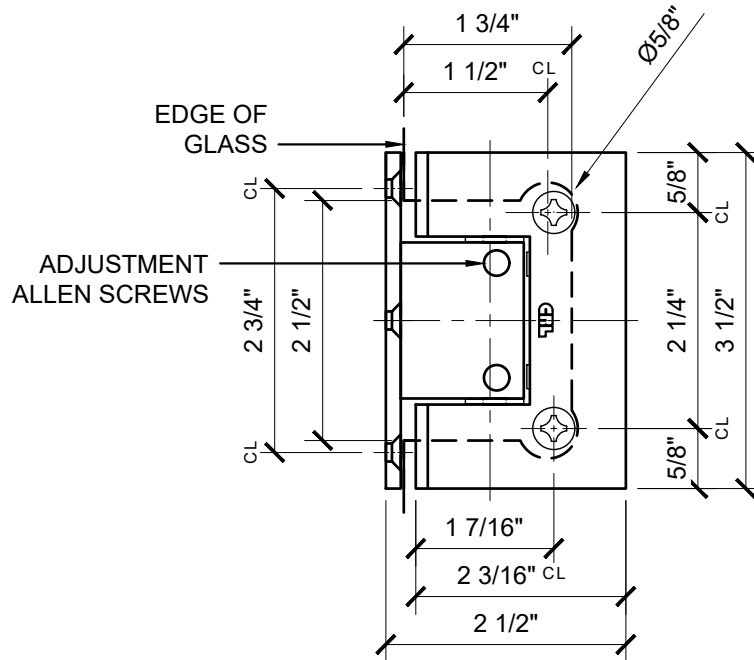
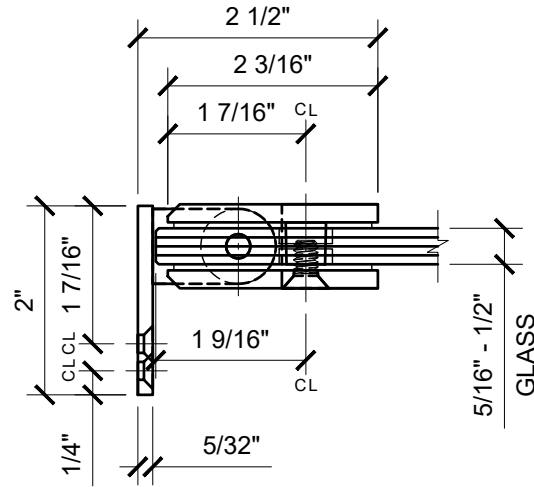


USE OF GASKETS

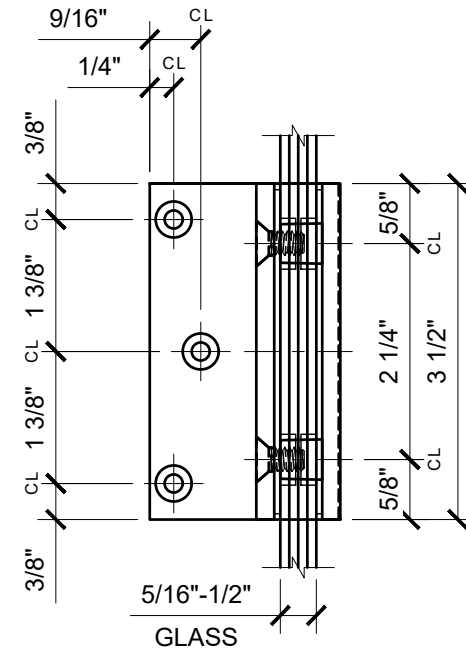
FOR 5/16" (8mm) GLASS: USE ONE THICK GASKET ON EACH SIDE

FOR 3/8" (10mm) GLASS: USE ONE THICK GASKET ON EACH SIDE

FOR 1/2" (12mm) GLASS: USE ONE THIN GASKET ON EACH SIDE



GLASS FABRICATION TEMPLATE



CATALOG NUMBER	FINISH
GEN344CH	CHROME
GEN344BR	BRASS
GEN344ORB	OIL RUBBED BRONZE
GEN344BN	BRUSHED NICKEL
GEN344MBL	MATTE BLACK

GEN344XX - CRL GENEVA SERIES ADJUSTABLE WALL MOUNT OFFSET BACK PLATE

DATE: 6/20/17
SCALE: 6"=1'-0"
DRAWN BY: VM

DESCRIPTION: CRL GEN344
GENEVA SERIES ADJUSTABLE WALL MOUNT
OFFSET BACK PLATE HINGE

C.R.LAURENCE CO. ARCHITECTURAL PRODUCTS
2503 E. Vernon Avenue, Los Angeles, C.A 90058-1897
PH (800)-421-6144 FX: 800-587-7501 www.crlaurence.com

