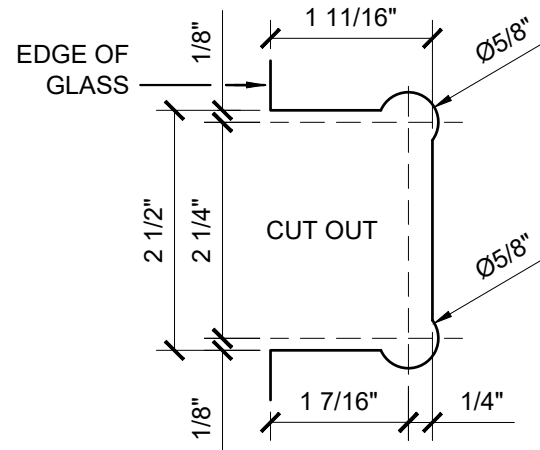
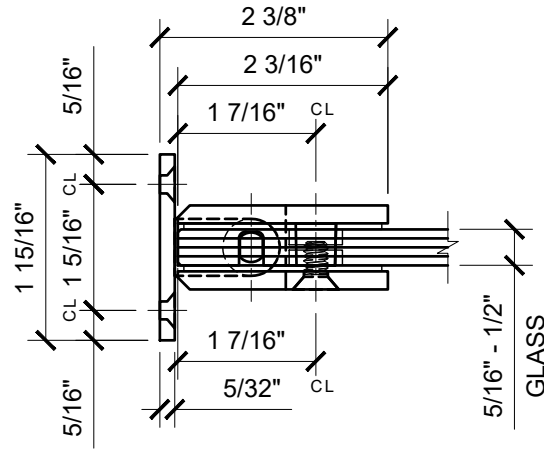


USE OF GASKETS

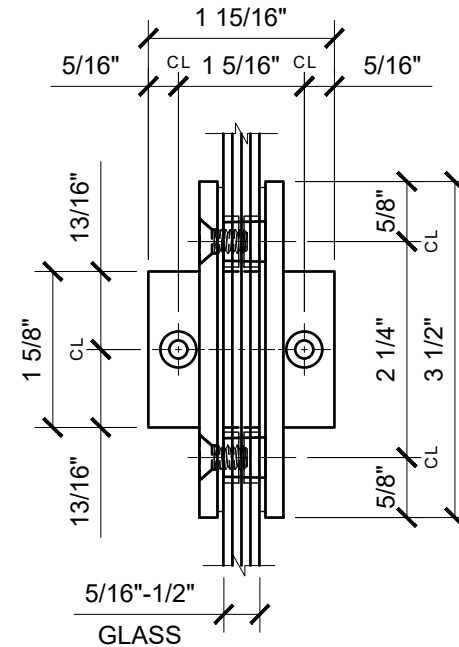
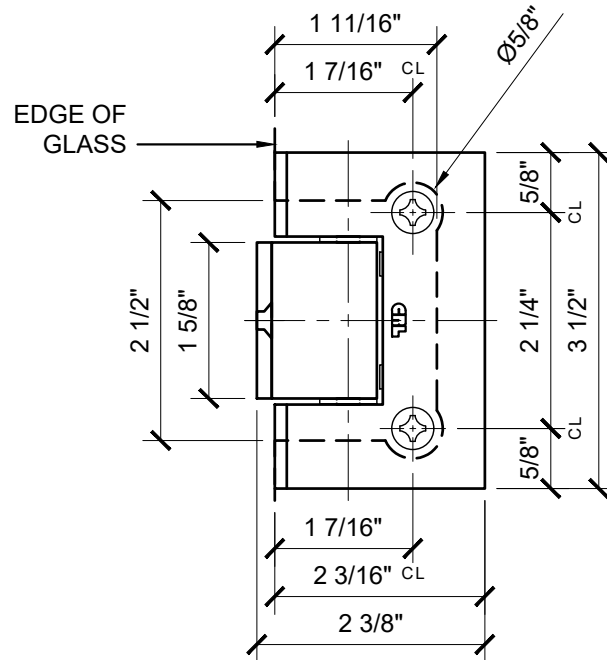
FOR 5/16" (8mm) GLASS: USE ONE THICK GASKET ON EACH SIDE

FOR 3/8" (10mm) GLASS: USE ONE THICK GASKET ON EACH SIDE

FOR 1/2" (12mm) GLASS: USE ONE THIN GASKET ON EACH SIDE



GLASS FABRICATION TEMPLATE



CATALOG NUMBER	FINISH
GEN245CH	CHROME
GEN245BN	BRUSHED NICKEL
GEN245ORB	OIL RUBBED BRONZE
GEN245PN	POLISHED NICKEL
GEN245BR	BRASS

GEN245XX - CRL GENEVA SERIES 135 DEGREE PONY WALL MOUNT HINGE

DATE: 6/20/17
SCALE: 6"=1'-0"
DRAWN BY: VM

DESCRIPTION: CRL GEN245
GENEVA 245 SERIES 135 DEGREE
PONY WALL MOUNT HINGE

C.R.LAURENCE CO. ARCHITECTURAL PRODUCTS
2503 E. Vernon Avenue, Los Angeles, C.A 90058-1897
PH (800)-421-6144 FX: 800-587-7501 www.crlaurence.com

