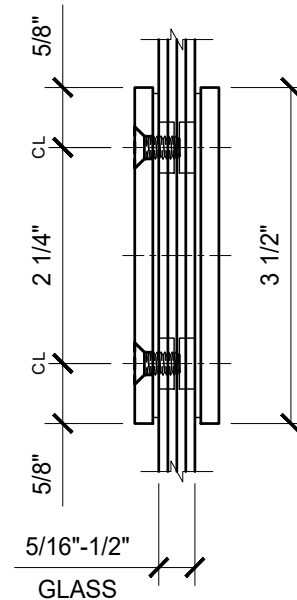
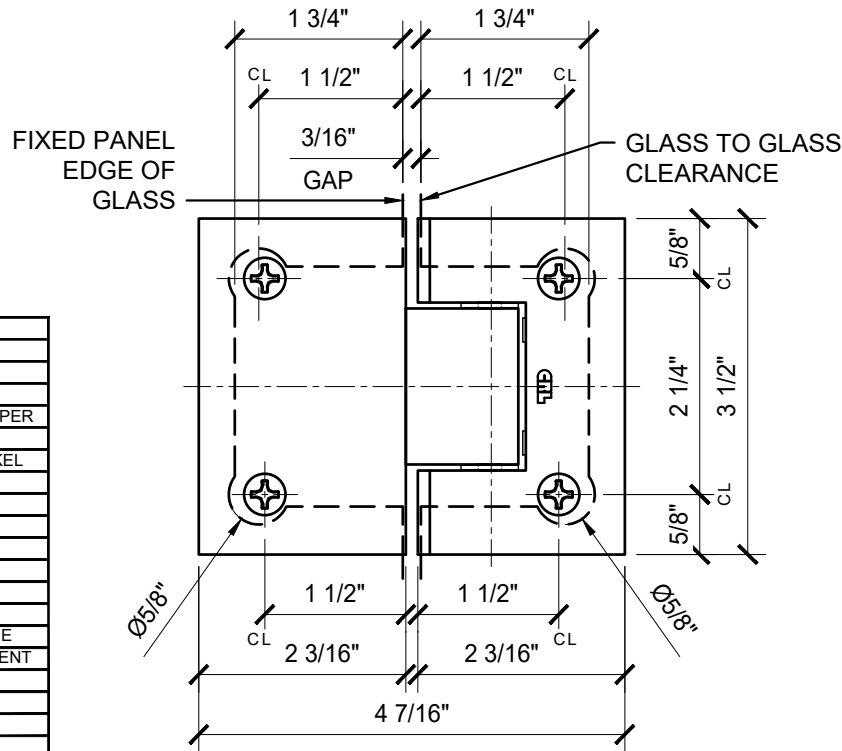
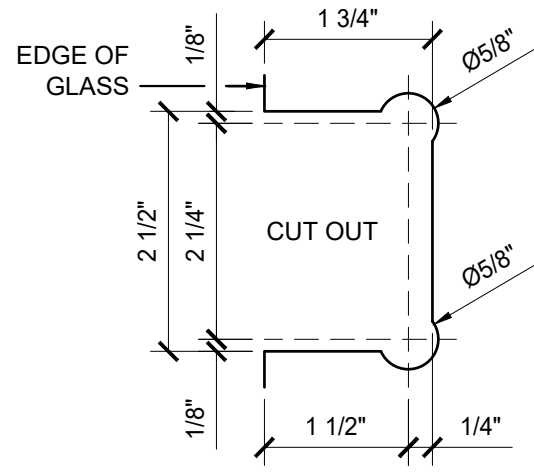
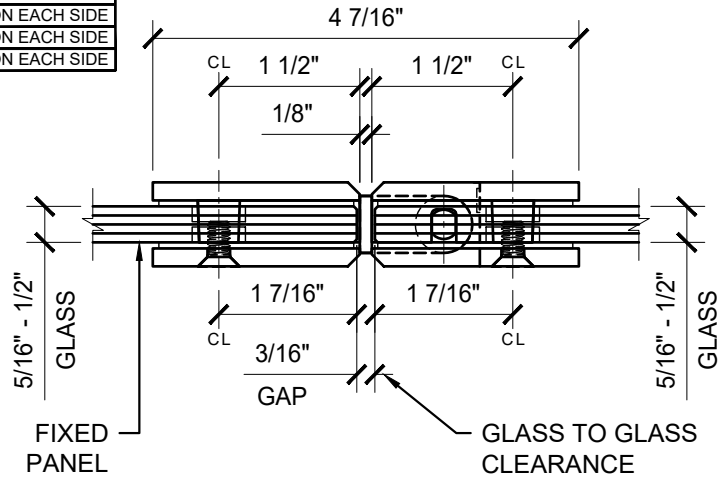


USE OF GASKETS

FOR 5/16" (8mm) GLASS: USE ONE THICK GASKET ON EACH SIDE

FOR 3/8" (10mm) GLASS: USE ONE THICK GASKET ON EACH SIDE

FOR 1/2" (12mm) GLASS: USE ONE THIN GASKET ON EACH SIDE



CATALOG NUMBER	FINISH
GEN180CH	CHROME
GEN180BR	BRASS
GEN180ORB	OIL RUBBED BRONZE
GEN180ABC0	ANTIQUE BRUSHED COPPER
GEN180ABL	ALL BLACK
GEN180ABN	ANTIQUE BRUSHED NICKEL
GEN180ABR	ANTIQUE BRASS
GEN180ABRZ	ANTIQUE BRONZE
GEN180AW	ALL WHITE
GEN180BRZ	BRUSHED BRONZE
GEN180BC0	BRUSHED COPPER
GEN180BL	BLACK
GEN180BN	BRUSHED NICKEL
GEN180BSC	BRUSHED SATIN CHROME
GEN180CBA	CHROME W/ BRASS ACCENT
GEN180GM	GUN METAL
GEN180GP	GOLD PLATED
GEN180MBL	MATTE BLACK
GEN180PC0	POLISHED COPPER
GEN180PN	POLISHED NICKEL
GEN180SB	SATIN BRASS
GEN180SC	SATIN CHROME
GEN180SN	SATIN NICKEL
GEN180UBR	ULTRA BRASS
GEN180WC	WHITE W/ CHROME ACCENT

DATE: 6/28/17
SCALE: 6"=1'-0"
DRAWN BY: VM

DESCRIPTION: CRL GEN180
GENEVA SERIES 180 DEGREE
GLASS TO GLASS STANDARD HINGE

C.R.LAURENCE CO. ARCHITECTURAL PRODUCTS
2503 E. Vernon Avenue, Los Angeles, C.A 90058-1897
PH (800)-421-6144 FX: 800-587-7501 www.crlaurence.com

