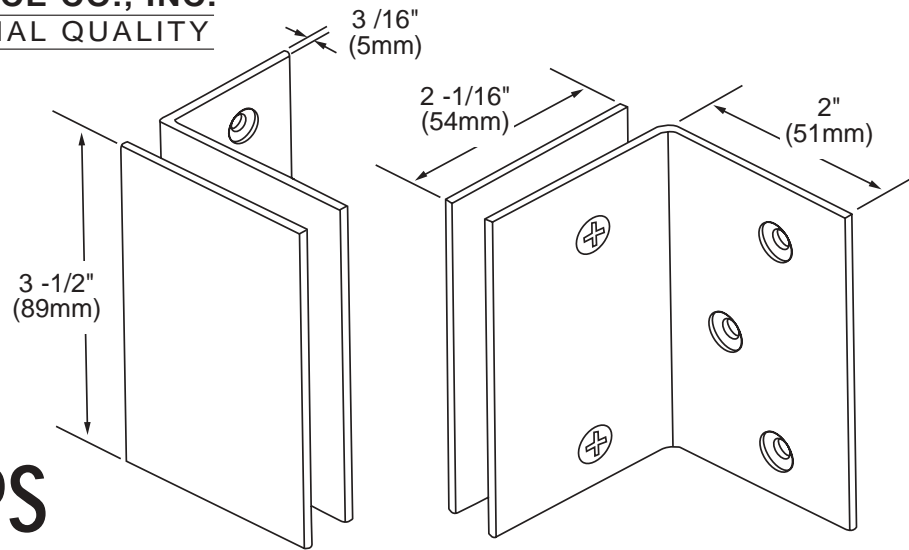




C.R. LAURENCE CO., INC.
 PROFESSIONAL QUALITY



FRONT VIEW

REAR VIEW

Specifications:

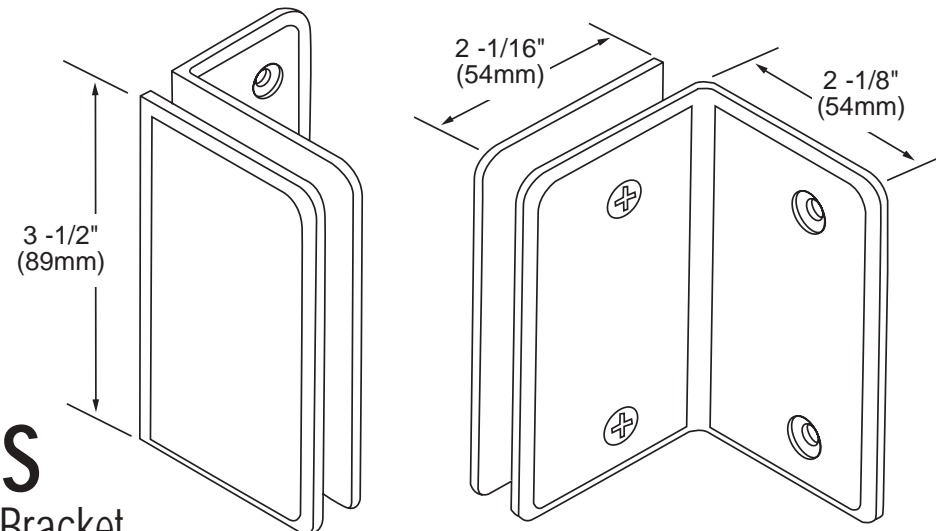
Material: Solid Brass
Glass Thickness: 3/8" (10mm) to 1/2" (12mm)
Hole Size Required: 3/4" (19mm)
Includes: Mounting screws and gaskets

GLASS CLAMPS

Geneva Wall Bracket

CAT No. GE90S

Template Shown on Next Page



FRONT VIEW

REAR VIEW

Specifications:

Material: Solid Brass
Glass Thickness: 3/8" (10mm) to 1/2" (12mm)
Hole Size Required: 3/4" (19mm)
Includes: Mounting screws and gaskets

GLASS CLAMPS

Pinnacle and Prima Wall Bracket

CAT No. P190S

Template Shown on Next Page