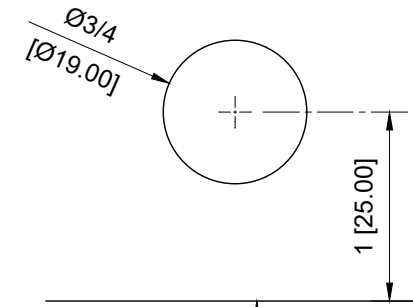
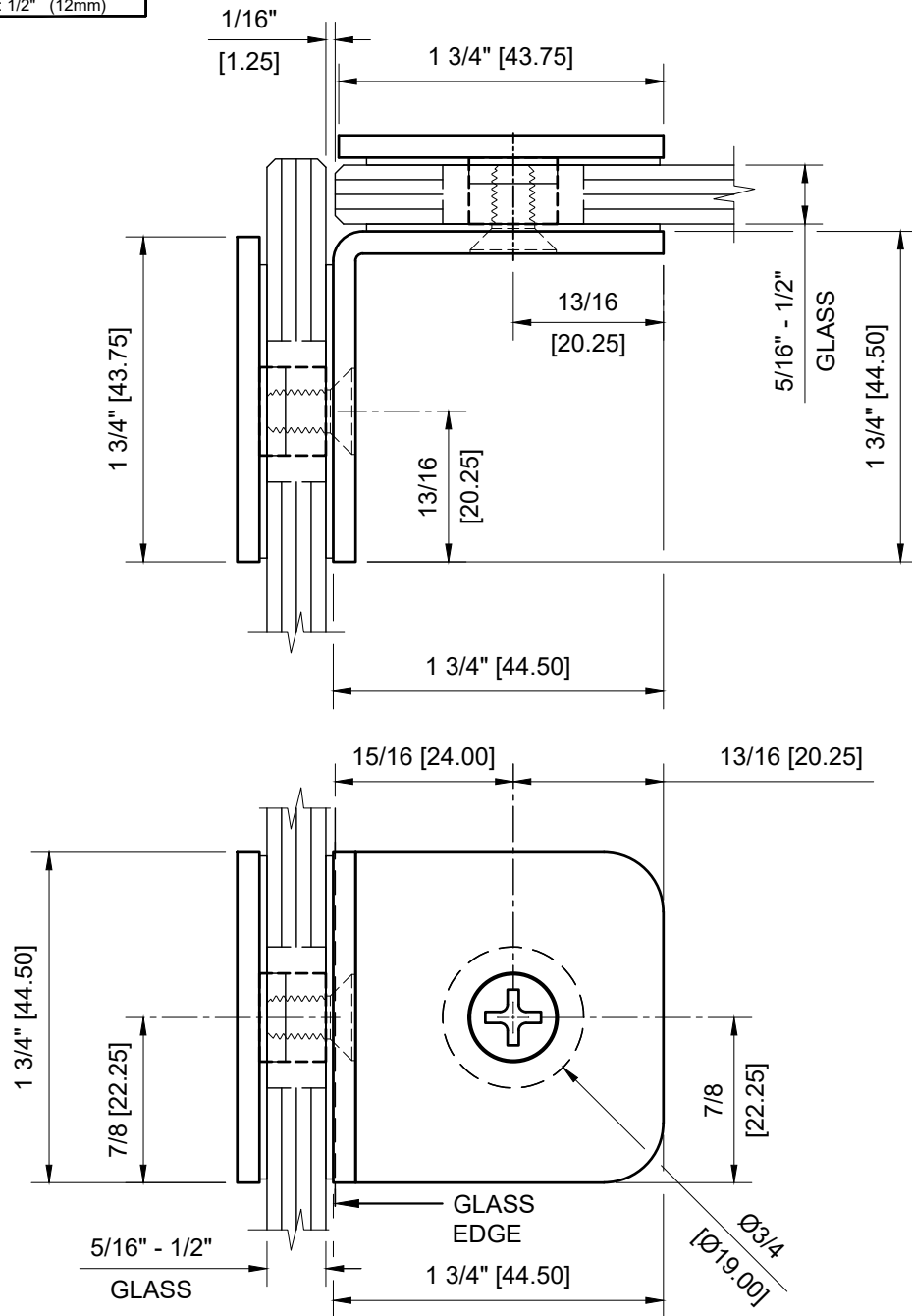
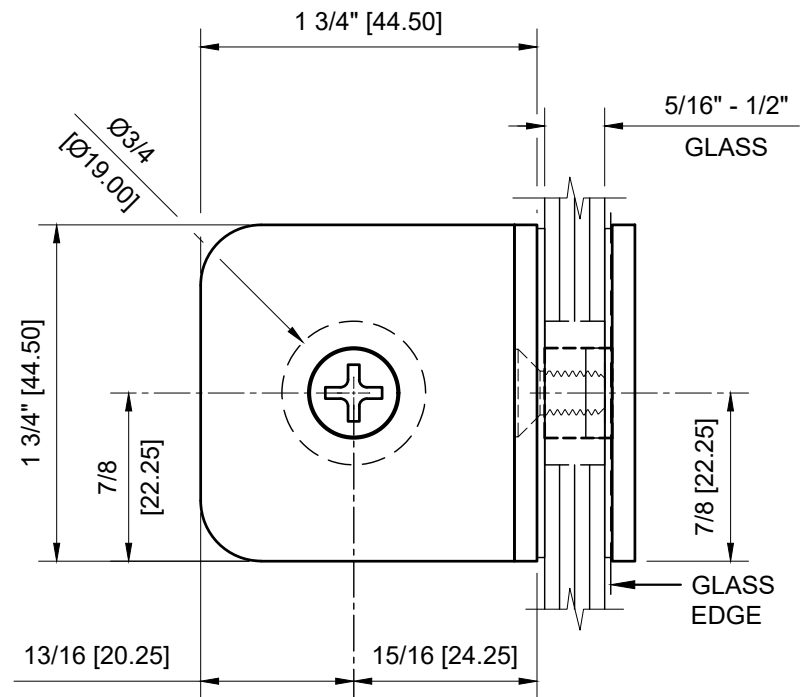


GLASS: 5/16" (8mm)
GLASS: 3/8" (10mm)
GLASS: 1/2" (12mm)



EDGE OF GLASS

GLASS FABRICATION TEMPLATE
WALL TO GLASS



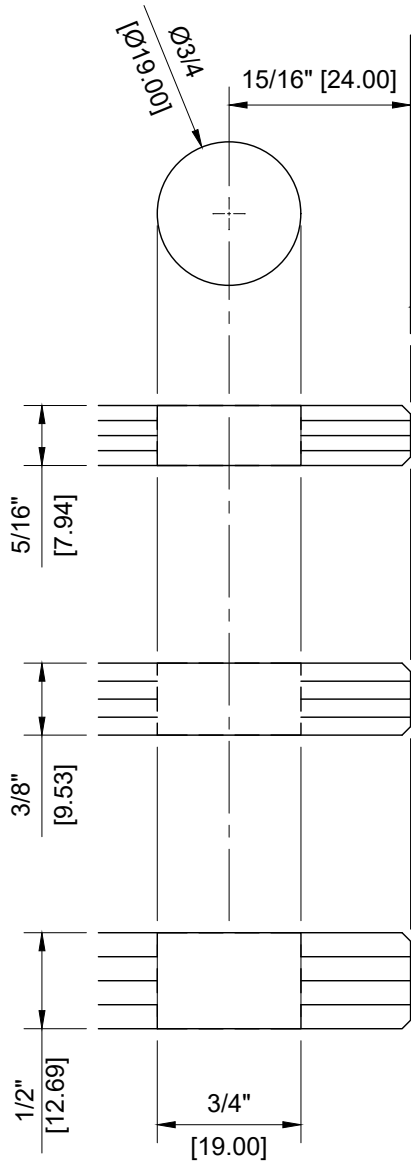
CRL - GCB90 TRADITIONAL STYLE 90° GLASS TO WALL OR GLASS TO GLASS CLAMP FOR 5/16" - 1/2" GLASS

DATE: 10-13-2020
SCALE: 1'-0"=1'-0"
DRAWN BY: VM

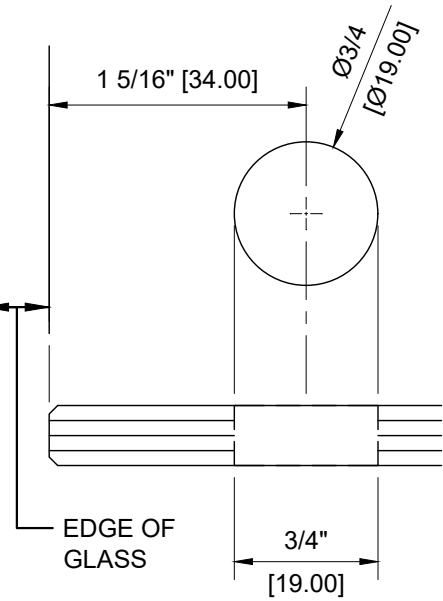
DESCRIPTION: CRL - GCB90
STANDARD 90° GLASS CLAMP

C.R. LAURENCE CO. ARCHITECTURAL PRODUCTS
2503 E. Vernon Avenue, Los Angeles, CA 90058-1897
PH (800)-421-6144 FX: 800-587-7501 www.crlclarence.com

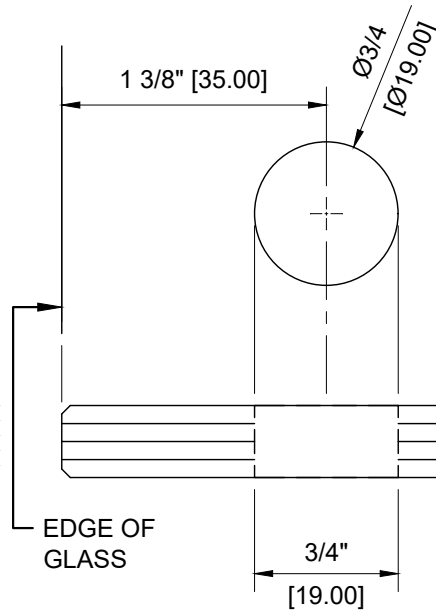




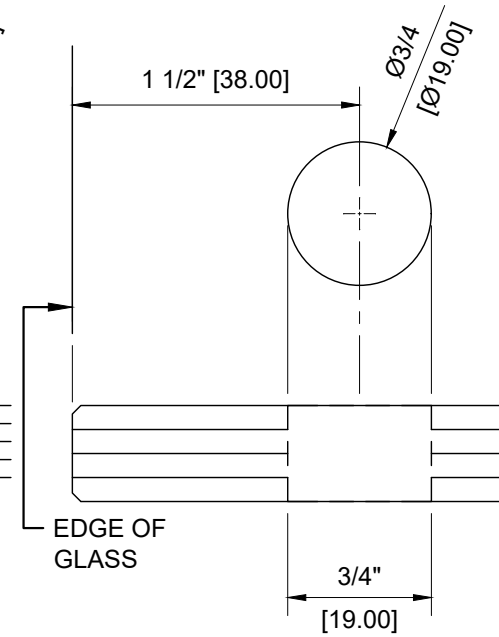
"A" - 5/16"-1/2"
GLASS TO GLASS OVERLAP
GLASS FABRICATION TEMPLATE



"B" - 5/16"
GLASS TO GLASS OVERLAP
GLASS FABRICATION TEMPLATE



"B" - 3/8"
GLASS TO GLASS OVERLAP
GLASS FABRICATION TEMPLATE



"B" - 1/2"
GLASS TO GLASS OVERLAP
GLASS FABRICATION TEMPLATE

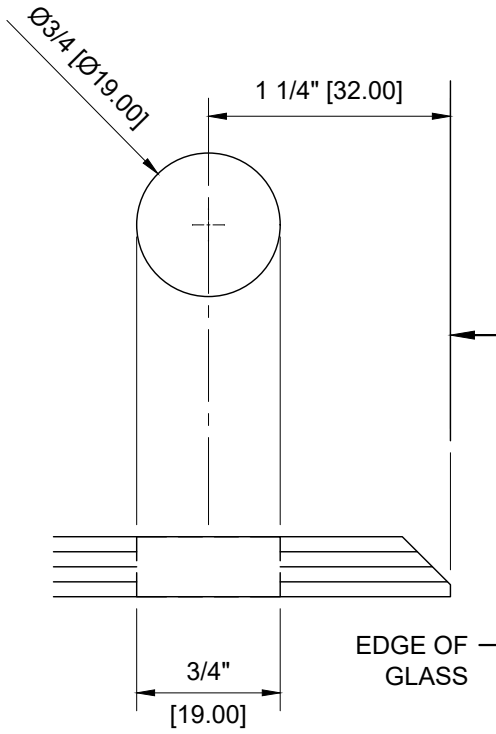
DATE: 10-13-2020
SCALE: 1'-0"=1'-0"
DRAWN BY: VM

DESCRIPTION: CRL - GCB90

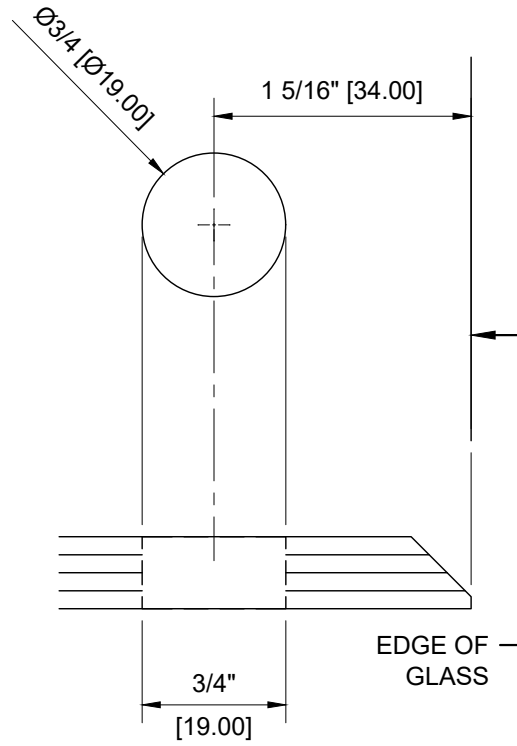
STANDARD 90° GLASS CLAMP

C.R. LAURENCE CO. ARCHITECTURAL PRODUCTS
2503 E. Vernon Avenue, Los Angeles, CA 90058-1897
PH (800)-421-6144 FX: 800-587-7301 www.crlaurence.com

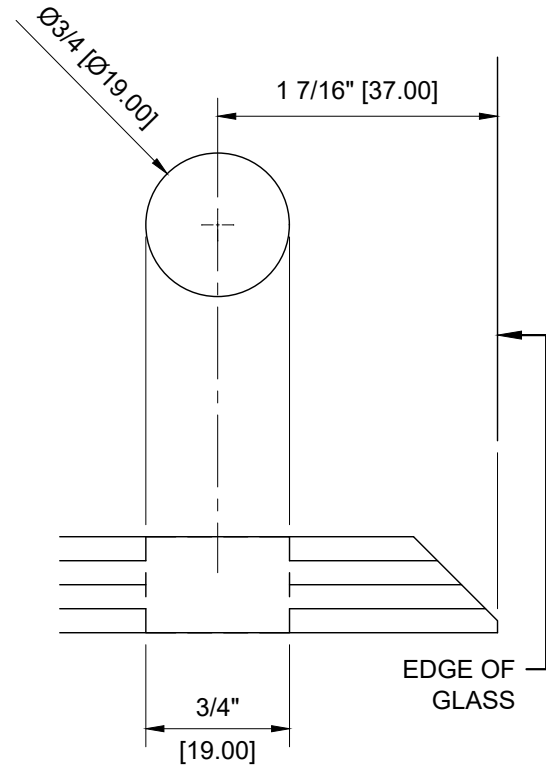




"C" - 5/16"
GLASS TO GLASS 45° MITERED
GLASS FABRICATION TEMPLATE



"C" - 3/8"
GLASS TO GLASS 45° MITERED
GLASS FABRICATION TEMPLATE



"C" - 1/2"
GLASS TO GLASS 45° MITERED
GLASS FABRICATION TEMPLATE

DATE: 10-13-2020
 SCALE: 1'-0"=1'-0"
 DRAWN BY: VM

DESCRIPTION: CRL - GCB90
 STANDARD 90° GLASS CLAMP

C.R. LAURENCE CO. ARCHITECTURAL PRODUCTS
 2503 E. Vernon Avenue, Los Angeles, CA 90058-1897
 PH (800)-421-6144 FX: 800-587-7501 www.crlaurence.com

