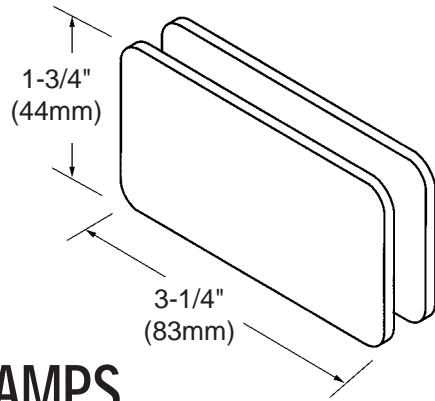


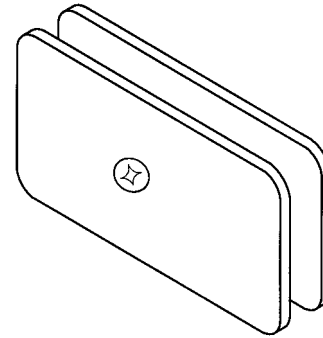


**C.R. LAURENCE CO., INC.**  
**PROFESSIONAL QUALITY**

**FRONT VIEW**



**REAR VIEW**



## GLASS CLAMPS

180° Single Stud

CAT. No. GCB180

## Specifications:

**Material:** Solid brass

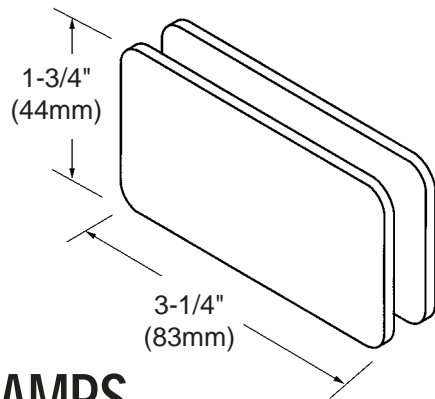
**Glass Thickness Range:** 5/16" (8mm) to 1/2" (12mm)

**Hole Size Required:** See Templates

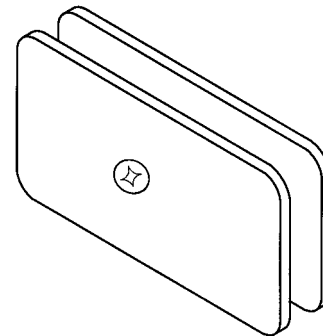
**Includes:** Mounting screws and gaskets

Template Shown on Next Page

**FRONT VIEW**



**REAR VIEW**



## GLASS CLAMPS

Junior 180° Single Stud

CAT. No. GCB680

## Specifications:

**Material:** Solid brass

**Glass Thickness:** 1/4" (6mm)

**Hole Size Required:** See Templates

**Includes:** Mounting screws and gaskets

Template Shown on Next Page