



C.R. LAURENCE CO., INC.
PROFESSIONAL QUALITY

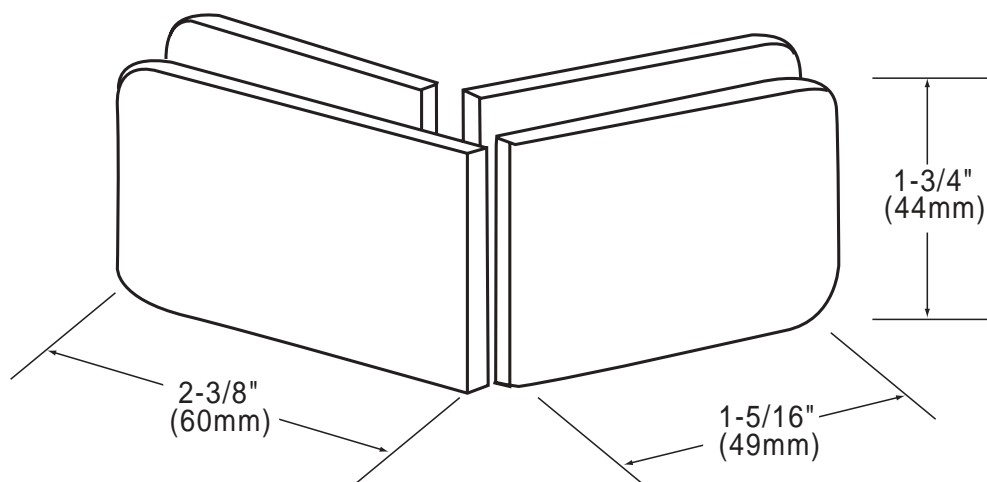
Specifications:

Material: Solid Brass

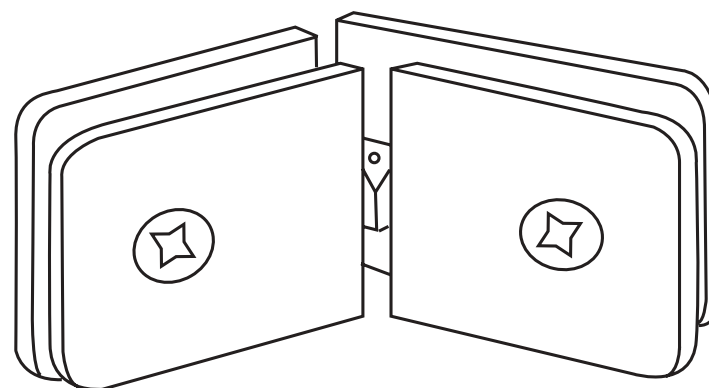
Glass Thickness Range: 5/16" (8mm) to 1/2" (12mm)

Template Required: 3/4" (19mm) Hole for transom, notch for fixed panel

Includes: Gaskets, screws and template



FRONT VIEW



REAR VIEW

GLASS CLAMPS

Glass-to-Glass 135° Moveable Transom Clamp

CAT No. GCB335

Template Shown on Next Page

4X-33

C.R. Laurence Corporate Headquarters: P.O. Box 58923 Los Angeles, CA 90058-0923; Toll Free Phone (800) 421-6144, Technical Assistance/Extension 777; Toll Free Fax (800) 587-7501

© Copyright 2001, C.R. Laurence Co., Inc.