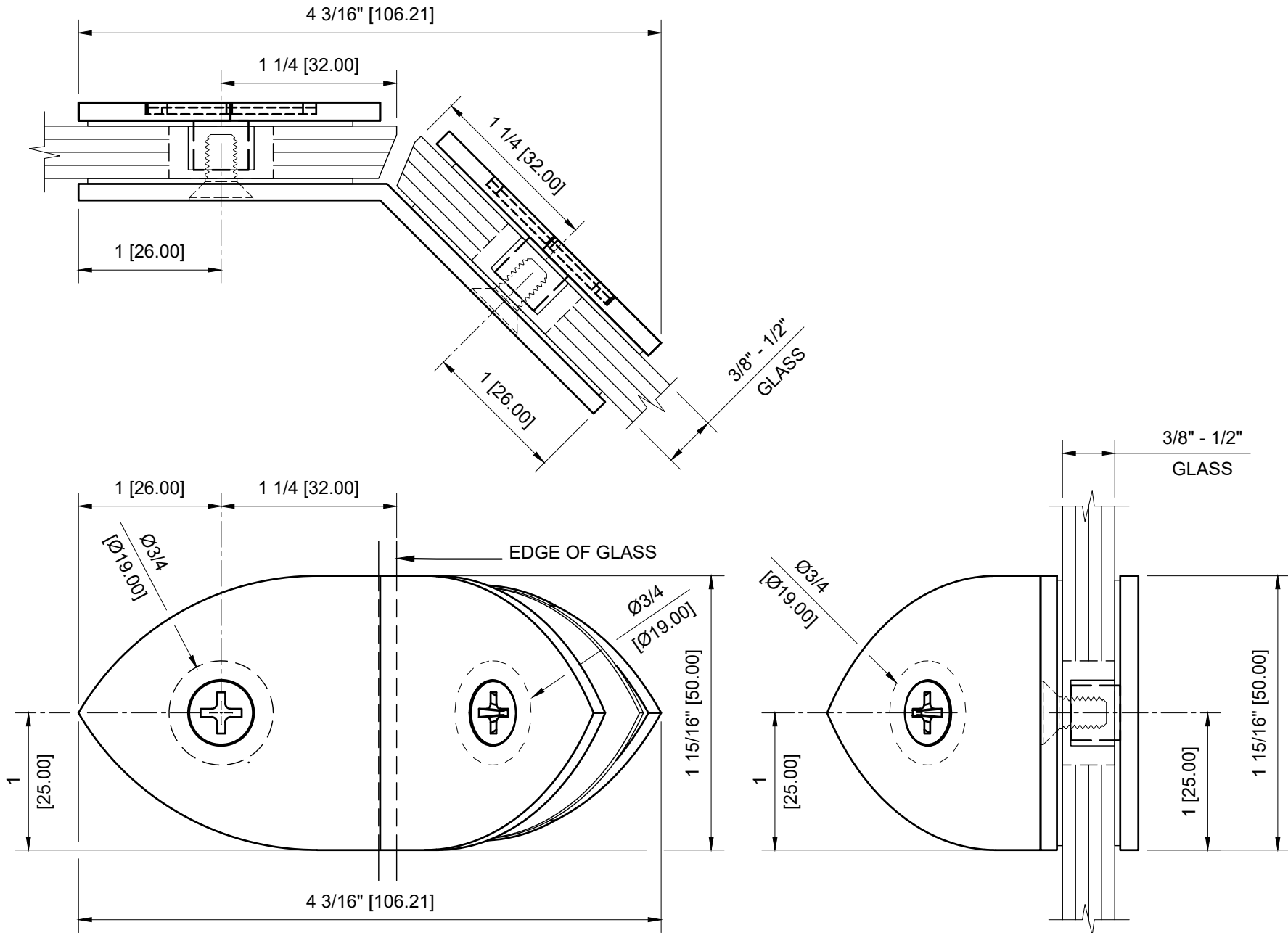


GLASS: 3/8" (10mm)
GLASS: 1/2" (12mm)



**CRL - GCB235 CATHEDRAL SERIES 135 DEGREE GLASS TO GLASS CLAMP FOR 3/8" - 1/2" GLASS**

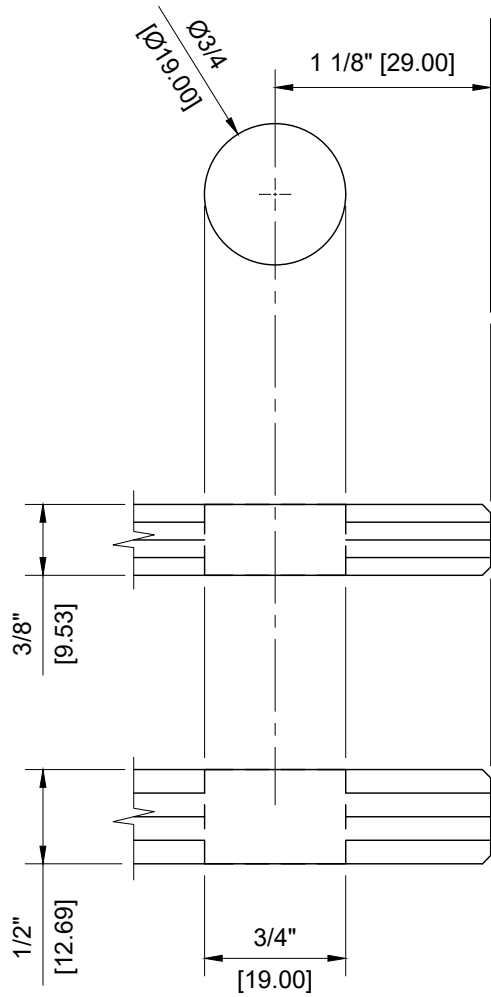
DATE: 10-28-2020
SCALE: 1'-0"=1'-0"
DRAWN BY: VM

DESCRIPTION: CRL - GCB235
135° CATHEDRAL STYLE GLASS CLAMP

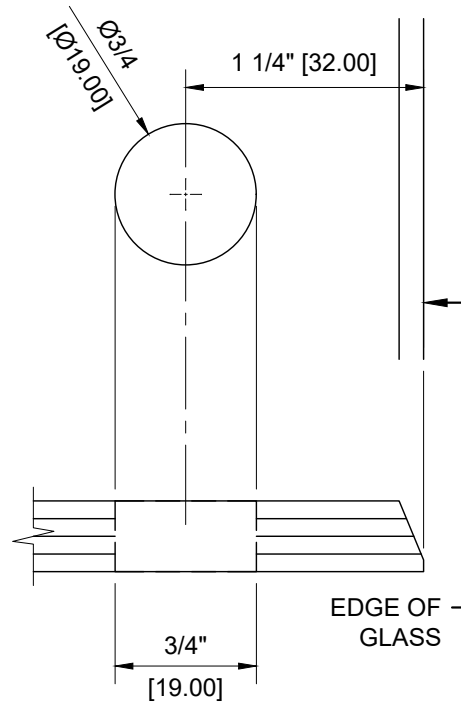
C.R. LAURENCE CO. ARCHITECTURAL PRODUCTS  
 2503 E. Vernon Avenue, Los Angeles, CA 90058-1897  
 PH (800)-421-6144 FX: 800-587-7501 www.crlaurence.com



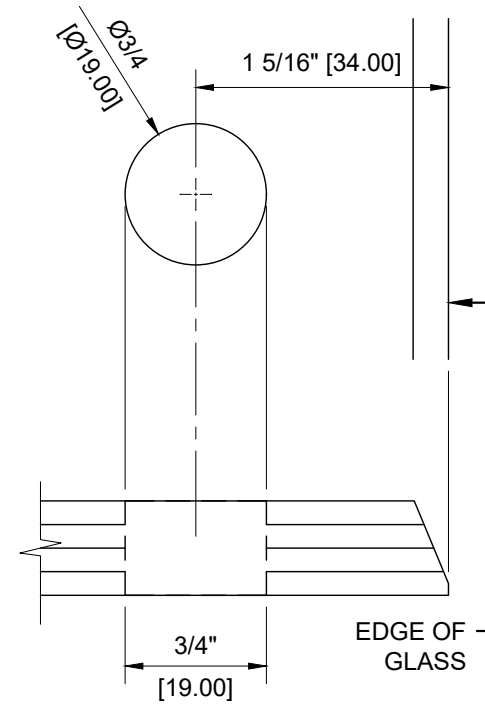
GLASS: 3/8" (10mm)  
 GLASS: 1/2" (12mm)



**SQUARE CUT  
 GLASS FABRICATION TEMPLATE**



**"C" - 3/8"  
 22.5° MITERED  
 GLASS FABRICATION TEMPLATE**



**"C" - 1/2"  
 22.5° MITERED  
 GLASS FABRICATION TEMPLATE**

DATE: 10-28-2020  
 SCALE: 1'-0"=1'-0"  
 DRAWN BY: VM

DESCRIPTION: CRL - GCB235  
 135° CATHRAL STYLE GLASS CLAMP

C.R.LAURENCE CO. ARCHITECTURAL PRODUCTS  
 2503 E. Vernon Avenue, Los Angeles, CA 90058-1897  
 PH (800)-421-6144 FX: 800-587-7501 www.crlaurence.com

