



INSTALLATION INSTRUCTIONS

FALLBROOK INTERIOR PARTITION SYSTEM



GENERAL INSTALLATION NOTES

Recommended Guidelines For All Installations:

1. **REVIEW CONTRACT DOCUMENTS.** Check shop drawings, installation instructions, architectural drawings, and shipping lists to become thoroughly familiar with the project. The shop drawings take precedence and include specific details for the project. Note any field verified notes on the shop drawings prior to installing. The installation instructions are of a general nature and cover most conditions.
2. **INSTALLATION.** All materials are to be installed plumb, level, and true. Install operable windows preglazed only.
3. **BENCH MARKS.** All work should start from bench marks and/or column lines as established by the architectural drawings and the general contractor with guaranteed accuracy. Working from these datum points and lines determine:
 - a) The plane of the wall in reference to offset lines provided on each floor.
 - b) The finish floor lines in reference to bench marks on the outer building columns.
 - c) Mullion spacing from both ends of masonry opening to prevent dimensional build-up of daylight opening.
4. **SURROUNDING CONDITIONS.** Make certain that construction which will receive your materials is in accordance with the contract documents. If not, notify the general contractor in writing and resolve differences before proceeding with work.
5. **SEALANTS.** Sealants must be compatible with all materials with which they have contact, including other sealant surfaces. Consult with sealant manufacturer for recommendations relative to joint size, shelf life, compatibility, cleaning, priming, tooling, adhesion, etc. It is the responsibility of the Glazing Contractor to submit a statement from the sealant manufacturer indicating that glass and glazing materials have been tested for compatibility and adhesion with glazing sealants, and interpreting test results relative to material performance, including recommendations for primers and substrate preparation required to obtain adhesion. The chemical compatibility of all glazing materials and framing sealants with each other and with like materials used in glass fabrication must be established. This is required on every project.
6. **FASTENING.** Within the body of these instructions „fastening“ means any method of securing one part to another or to adjacent materials. Only those fasteners used within the system are specified in these instructions. Due to the varying perimeter conditions and performance requirements, perimeter and anchor fasteners are not specified in these instructions. For perimeter and anchor fasteners refer to the shop drawings or consult the fastener supplier.
7. **BUILDING CODES.** Due to the diversity in state/provincial local, and federal laws and codes that govern the design and application of architectural products, it is the responsibility of the individual architect, owner, and installer to assure that products selected for use on projects comply with all the applicable building codes and laws. CRL exercises no control over the use or application of its products, glazing materials, and operating hardware and assumes no responsibility thereof.
8. **EXPANSION JOINTS.** Expansion joints and perimeter seals shown in these instructions and in the shop drawings are shown at normal size. Actual dimensions may vary due to perimeter conditions and/or difference in metal temperature between the time of fabrication and the time of installation. Gaps between expansion members should be based on temperature at time of installation.
9. **COORDINATION WITH OTHER TRADES.** Coordinate with the general contractor any sequence with other trades which offset installation (i.e. fire proofing, back-up walls, partitions, ceilings, mechanical ducts, converters, etc.)
12. **CARE AND MAINTENANCE.**
 - 12.1. **GLASS:**

For cleaning the glass, it is best to use clean water and a microfibre cloth. Alternatively, clean the glass surface with a mild soapy water solution using a sponge or soft cloth. Rinse thoroughly and repeat if necessary. If additional cleaning is required, we recommend using a non-ammonia cleaner for glass, which you apply to the areas to be cleaned using moderate pressure and circular movements.
 - 12.2. **PROFILES AND GASKETS:**
 - Carefully remove loose surface deposits with a wet sponge.
 - Use a soft brush (non-abrasive), sponge or soft cloth and a diluted solution of a mild detergent, e.g. pH neutral liquid hand dishwashing detergent in warm water (DO NOT use solvents) to remove dust and other deposits.
 - Be sure to rinse surfaces thoroughly with clean water after cleaning to remove all residue.
 - High-quality aluminum cleaners can be used to remove heavier soiling. All cleaning solutions must be washed off immediately.
 - To ensure a longer lifetime of the gaskets, they should be cleaned with clean water and a soft cloth. It is recommended to treat the seals with silicone spray afterwards.
 - 12.3. **GLASS FITTINGS GENERAL INFORMATION AND MOUNTING**
 - Glass fittings are not suitable for rooms where chemicals (e.g. chlorine) are used, e.g. swimming pools, saunas and brine baths.
 - Do not shut doors with excessive force. Install a door stop to prevent door from opening too far.
 - Before final fitting, the glass in the clamping area must be cleaned of grease using grease-dissolving household agents.

12.4. MAINTENANCE

The fit and movement of the fittings and the adjustment of the door must be checked regularly. Especially highly-frequented door systems require inspection carried out by a specialist or installation company. Immediately replace damaged glass elements (no glass flaking and/or conchoidal fractures)! For metallic surfaces (anodized shades, stainless steel), please use only suitable cleaners without abrasives.

HANDLING, STORAGE, AND PROTECTION OF ALUMINUM

The following precautions are recommended to protect the material against damage. Following these precautions will help ensure early acceptance of your products and workmanship.

A. HANDLE CAREFULLY.

All aluminum materials at job site must be stored in a safe place, well removed from possible damage by other trades. Cardboard wrapped or paper interleaved materials must be kept dry.

B. CHECK ARRIVING MATERIALS.

Check for quantities and keep records of where various materials are stored.

C. KEEP MATERIALS AWAY FROM WATER, MUD, AND SPRAY.

Prevent cement, plaster or other materials from damaging the finish.

D. PROTECT THE MATERIALS AFTER ERECTION.

Protect erected frame with polyethylene or canvas splatter screen. Cement, plaster, terrazzo, other alkaline solutions, and acid based materials used to clean masonry are harmful to the finish. If any of these materials come in contact with the aluminum, immediately remove with water and mild soap.

FALLBROOK, DOOR AND HINGE LIMITATION

Maximum door width = 36" (914mm)

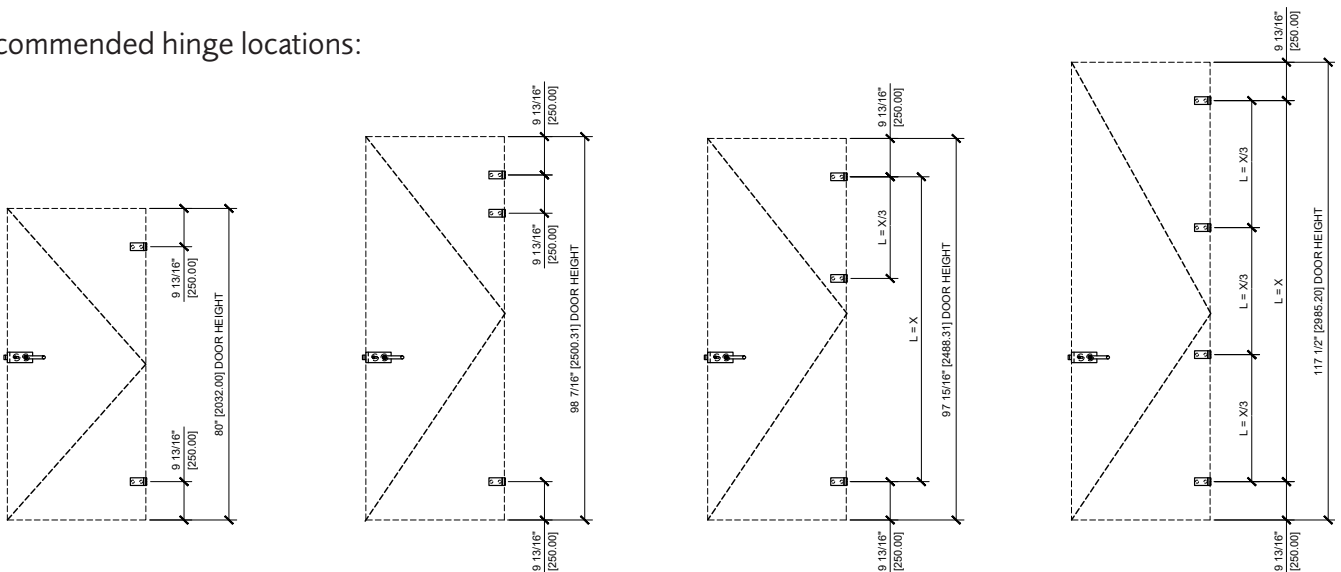
Maximum door height = 118" (2997mm)

Maximum door weight = 190lbs (86kg)

Number of hinges required:

- ◆ 2 hinges - door weight up to 110lbs (50kg) OR door height up to 80" (2032mm)
- ◆ 3 hinged - door weight over 110lbs (50kg) and up to 190lbs (86kg) OR door heights 80" to 98-7/16"
- ◆ 4 hinges - door height over 98-7/16" to maximum height 118" (3000mm) up to 190lbs.

Recommended hinge locations:



IMPORTANT: READ THIS MANUAL THOROUGHLY BEFORE BEGINNING INSTALLATION

EXTRUSION IDENTIFICATION

We have placed an Indicator Label on the inside or back side of each part before final packaging. Use the Identification Key (below) to organize and lay out each FALLBROOK / FALLBROOK XL / FALLBROOK XL NY Partition System before proceeding with the assembly process.

NOTE: Read these instructions carefully to identify the parts needed for your particular installation.

6M EXTRUSION

| | | |
|--|---|--|
| <p>FALLBROOK</p> <p>FBD6MBL / FBD6SA</p> | <p>FALLBROOK / XL / XL NY</p> <p>FCLPD6MBL / FCLPD6SA</p> | <p>FALLBROOK</p> <p>FRMD6MBL / FRMD6SA</p> |
| <p>FALLBROOK</p> <p>FTPD6MBL / FTPD6SA</p> | <p>FALLBROOK</p> <p>FCLPCP6SA / FCLPCP6MBL</p> | |

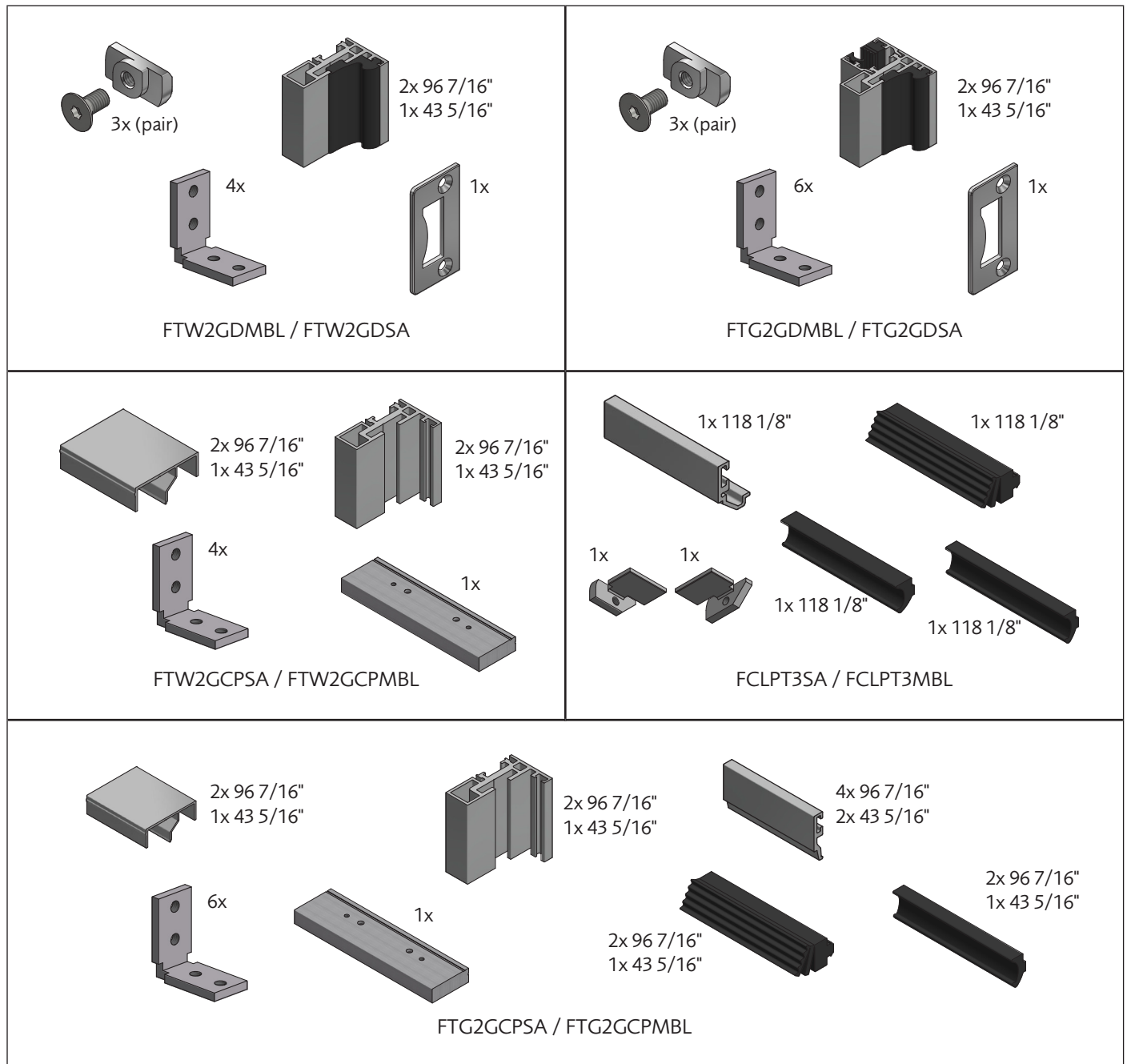
3 & 1.1M EXTRUSION SETS

| | | |
|---|---|--|
| <p>FALLBROOK</p> <p>FG2GD1MBL / FG2GD1SA / FG2GD3MBL / FG2GD3SA</p> | <p>FALLBROOK</p> <p>FW2GD1MBL / FW2GD1SA / FW2GD3MBL / FW2GD3SA</p> | <p>FALLBROOK</p> <p>FW2GF3MBL / FW2GF3SA</p> |
| <p>FALLBROOK</p> <p>FC2GF3MBL / FC2GF3SA</p> | <p>FALLBROOK</p> <p>FCLPT3SA / FCLPT3MBL</p> | |

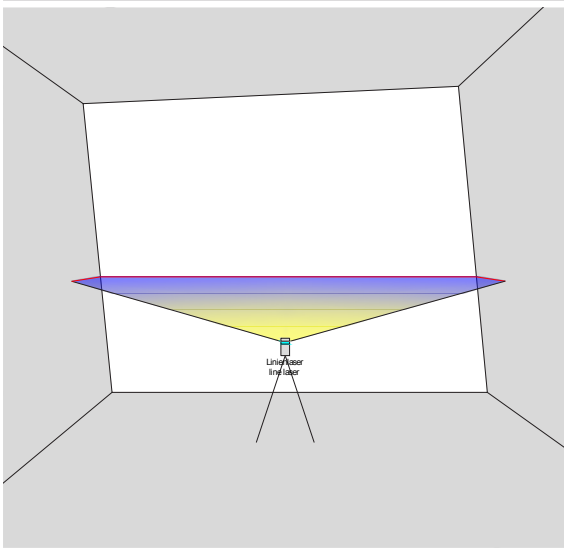
COMPONENTS

| | | |
|--|--|---|
| <p>FALLBROOK / XL / XL NY</p> <p>FFCC</p> | <p>FALLBROOK / XL / XL NY</p> <p>FXCH</p> | <p>FALLBROOK / XL / XL NY</p> <p>FFCCL</p> |
| <p>FALLBROOK</p> <p>FTC</p> | <p>FALLBROOK</p> <p>FSP</p> | <p>FALLBROOK</p> <p>FDSP</p> |
| <p>FALLBROOK / XL / XL NY</p> <p>FFP16BL / FFP16GR</p> | <p>FALLBROOK / XL / XL NY</p> <p>FFPBL / FFPBL25 / FFGR / FFGR25</p> | <p>FALLBROOK</p> <p>FDJBL / FDJBL25 / FDJGR / FDJGR25</p> |
| <p>FALLBROOK / XL / XL NY</p> <p>FRGBL / FRGBL25 / FRGGR / FRGGR25</p> | <p>FALLBROOK / XL / XL NY</p> <p>FFP14BL / FFP14GR</p> | <p>FALLBROOK</p> <p>FHHN12</p> |
| <p>FALLBROOK</p> <p>FHHN</p> | <p>FALLBROOK</p> <p>FCPDB1SA / FCPDB1MBL</p> | <p>FALLBROOK</p> <p>FTHHN1 / FTHHN1MBL</p> |

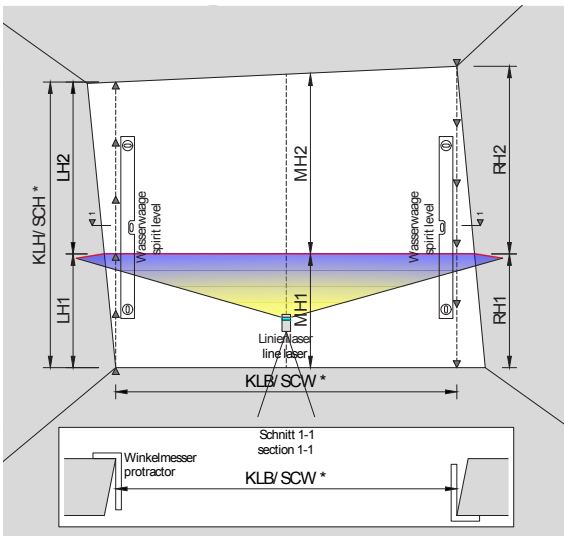
DOOR FRAME KITS



MEASUREMENT GUIDE FOR PLANNING



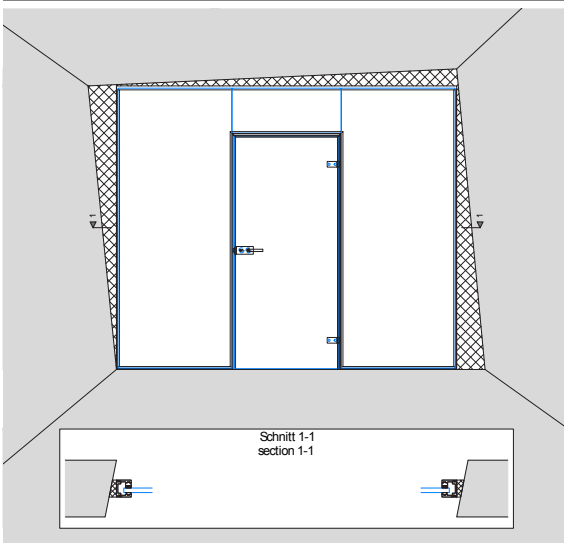
Step 1:
Set up self-leveling line laser.



Step 2:
Take measurements for planning.

LEGEND

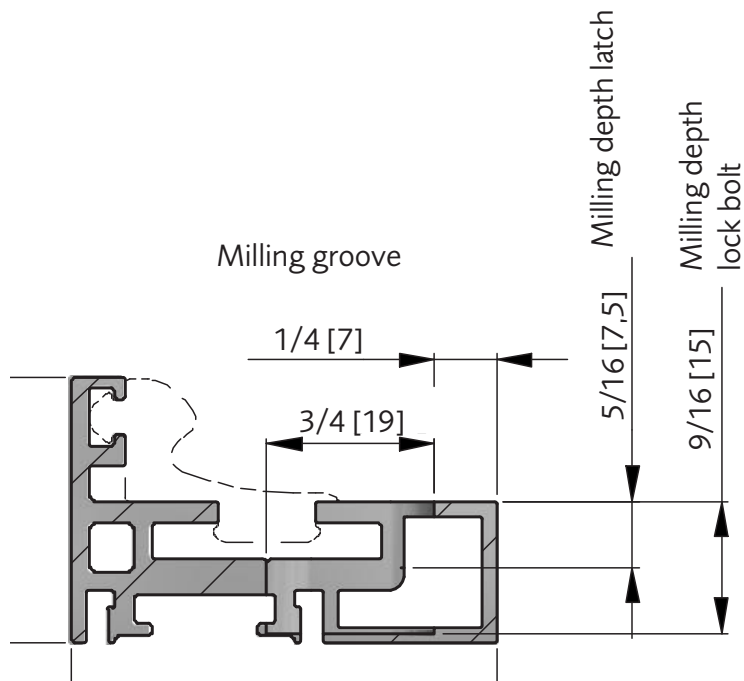
- LH1 left height 1
- LH2 left height 2
- MH1 middle height 1
- MH2 middle height 2
- RH1 right height 1
- RH2 right height 2
- *SCH smallest clear height
- *SCW smallest clear width
- *relevant measurement for the planning



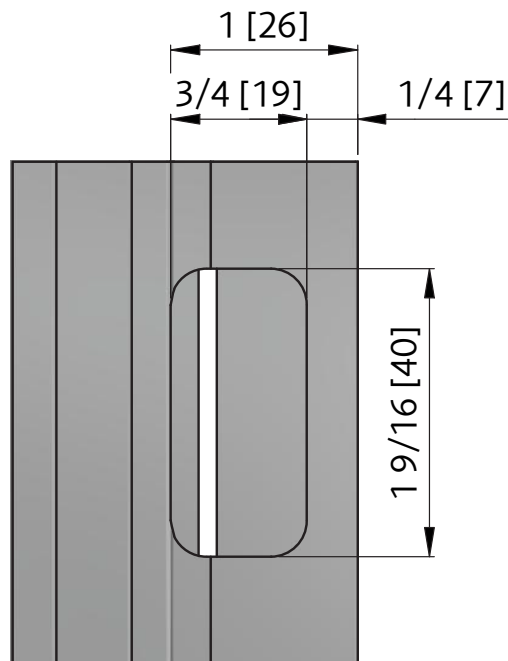
Step 3:
Install AL-OFFICE system and, if necessary backfill the space between the profile and the masonry.



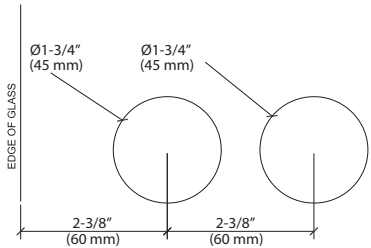
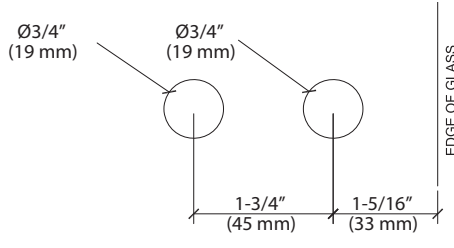
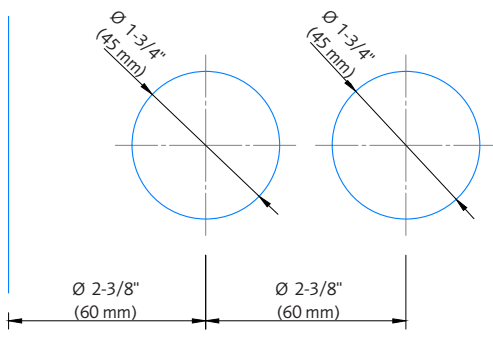
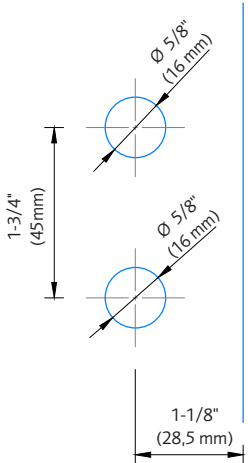
MILLING GROOVE FOR THE DOOR LOCK SYSTEM FALLBROOK



SECTION 1:
Milling groove for 8/10/12 mm glass

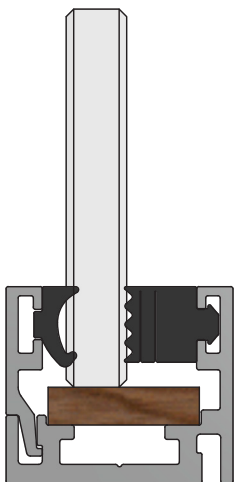
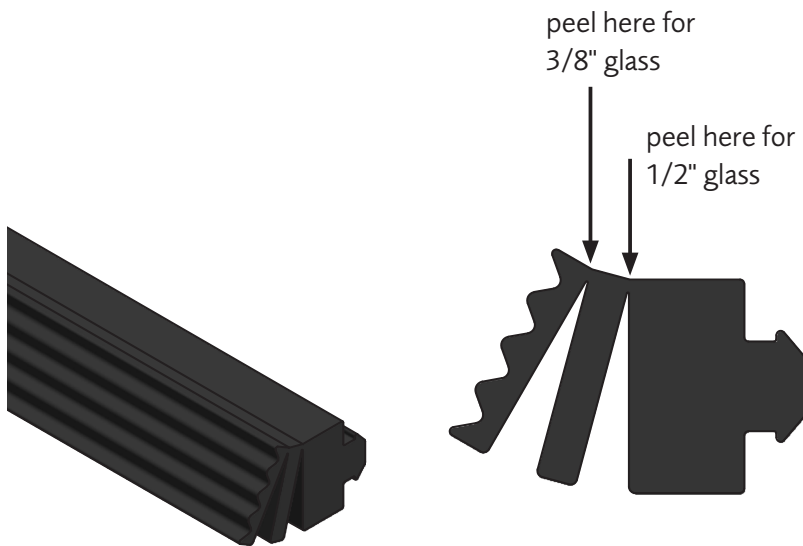


GLASS PREP

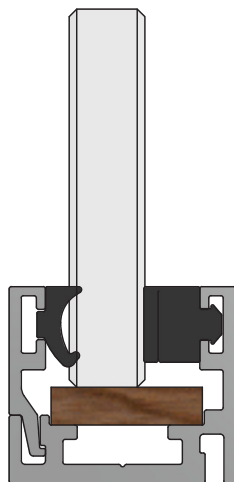
| | |
|--|---|
| <p>LOCK:</p> <p>FLKSBN / FLKSMBL / FLKSSA FLSBN / FLSMBL / FLSSA</p> | <p>HINGE WITH FRAME PIECE:</p> <p>FHDBN / FHDMBL / FHDSA FHSBN / FHSMBL / FHSSA</p> |
|  |  |
| <p>LOCK:</p> <p>DORMA STUDIO RONDO (only available in sets) FDSETDSA / FDSETDMBL / FDSETDBN FDSETKDSA / FDSETKDMBL / FDSETKDBN</p> <p>DORMA OFFICE CLASSIC (only available in sets) FDSETSSA / FDSETSMBL / FDSETSBN FDSETKSSA / FDSETKSMBL / FDSETKSBN</p> | <p>HINGE WITH FRAME PIECE:</p> <p>DORMA OFFICE JUNIOR FDHDSA / FDHDMBL / FDHDBN</p> <p>DORMA OFFICE CLASSIC FDHSSA / FDHSMBL / FDHSBN</p> |
|  |  |

ADJUST GASKET TO GLASS THICKNESS

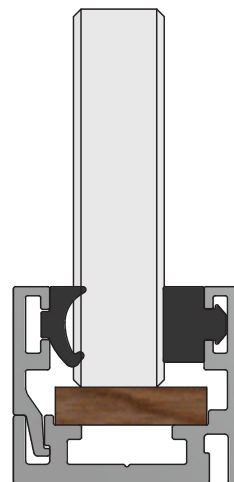
The Gasket FFBL / FFBL25 / FFPGR / FFPGR25 is suitable for 5/16", 3/8" and 1/2" glass.
 You can easily adjust the gasket.



5/16" glass
 use the entire gasket
 as supplied



3/8" glass
 peel off one layer of
 the gasket



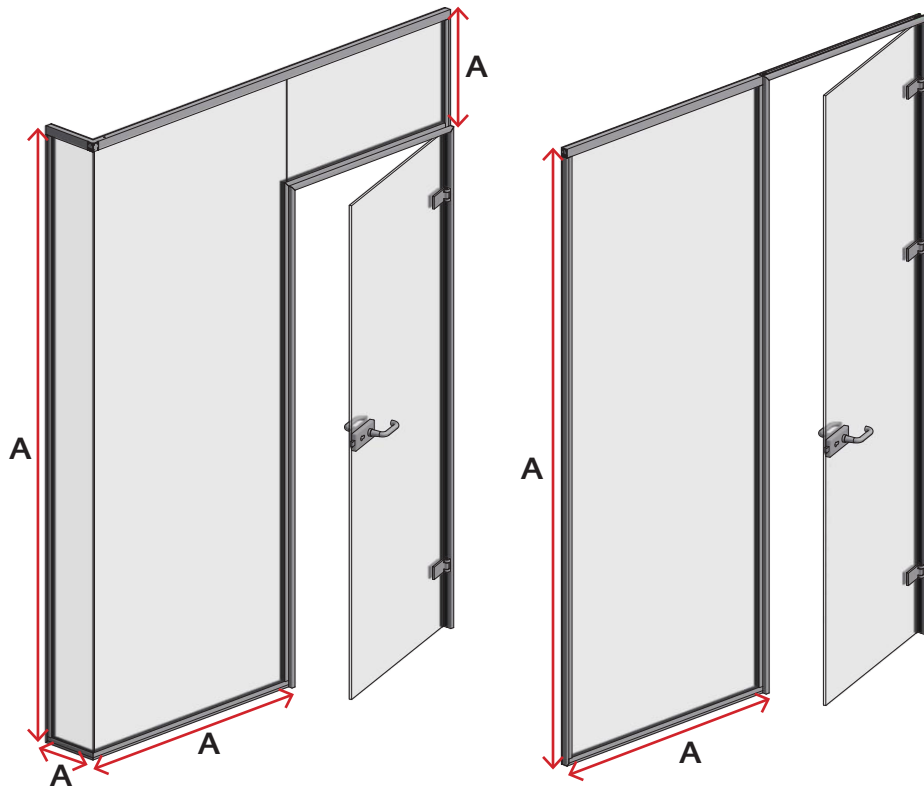
1/2" glass
 peel off both layer of
 the gasket

ASSEMBLY INSTRUCTION FALLBROOK

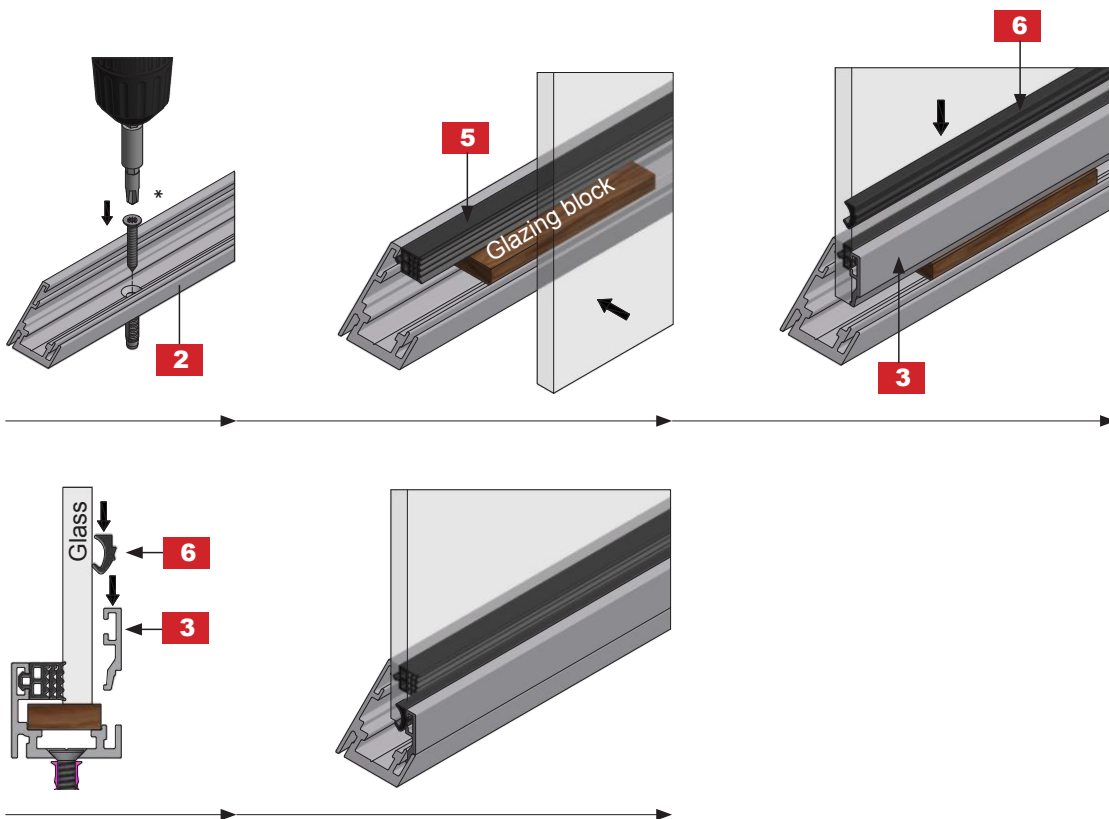


ITEMS

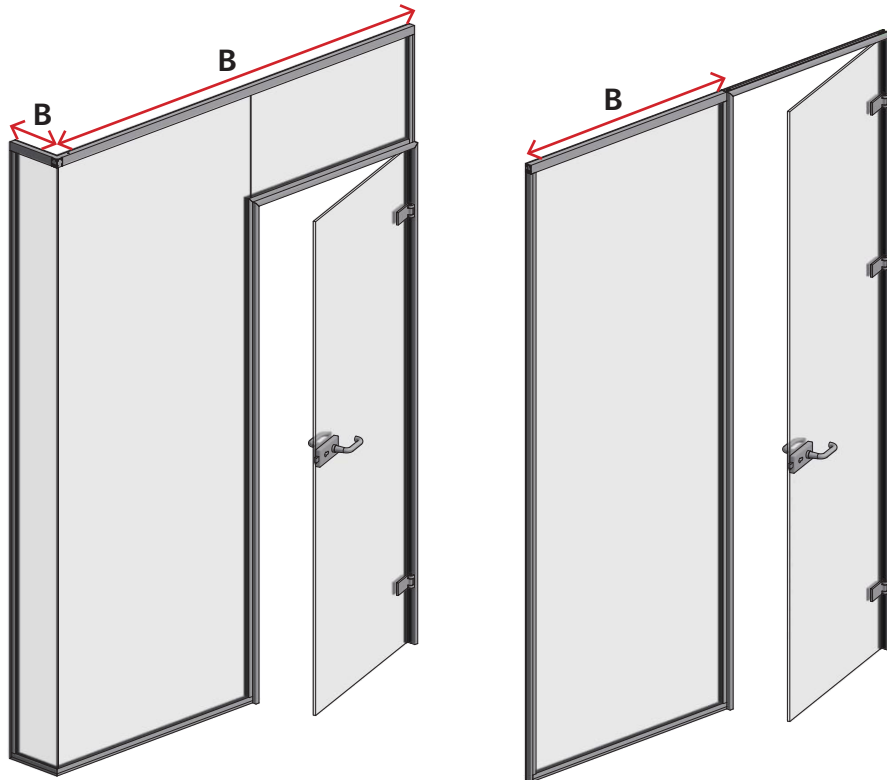
| | | |
|---|--|--|
| <p>1</p> <p>FBD6MBL / FBD6SA</p> | <p>2</p> <p>FRMD6MBL / FRMD6SA</p> | <p>3</p> <p>FCLPD6MBL / FCLPD6SA</p> |
| <p>4</p> <p>FTPD6MBL / FTPD6SA</p> | <p>5</p> <p>FFPBL / FFPBL 25 / FFGR / FFGR25</p> | <p>6</p> <p>FRGBL / FRGBL25 / FRGR / FRGR25</p> |
| <p>7</p> <p>FFP16BL / FFP16GR</p> | <p>8</p> <p>FDJBL / FDJBL25 / FDJGR / FDJGR25</p> | <p>9</p> <p>FFCC</p> |
| <p>10</p> <p>FTC</p> | <p>11</p> <p>FFCL</p> | <p>12</p> <p>FXCH</p> |
| <p>13</p> <p>FHHN</p> | <p>14</p> <p>FHHN12</p> | <p>15</p> <p>FSP</p> |



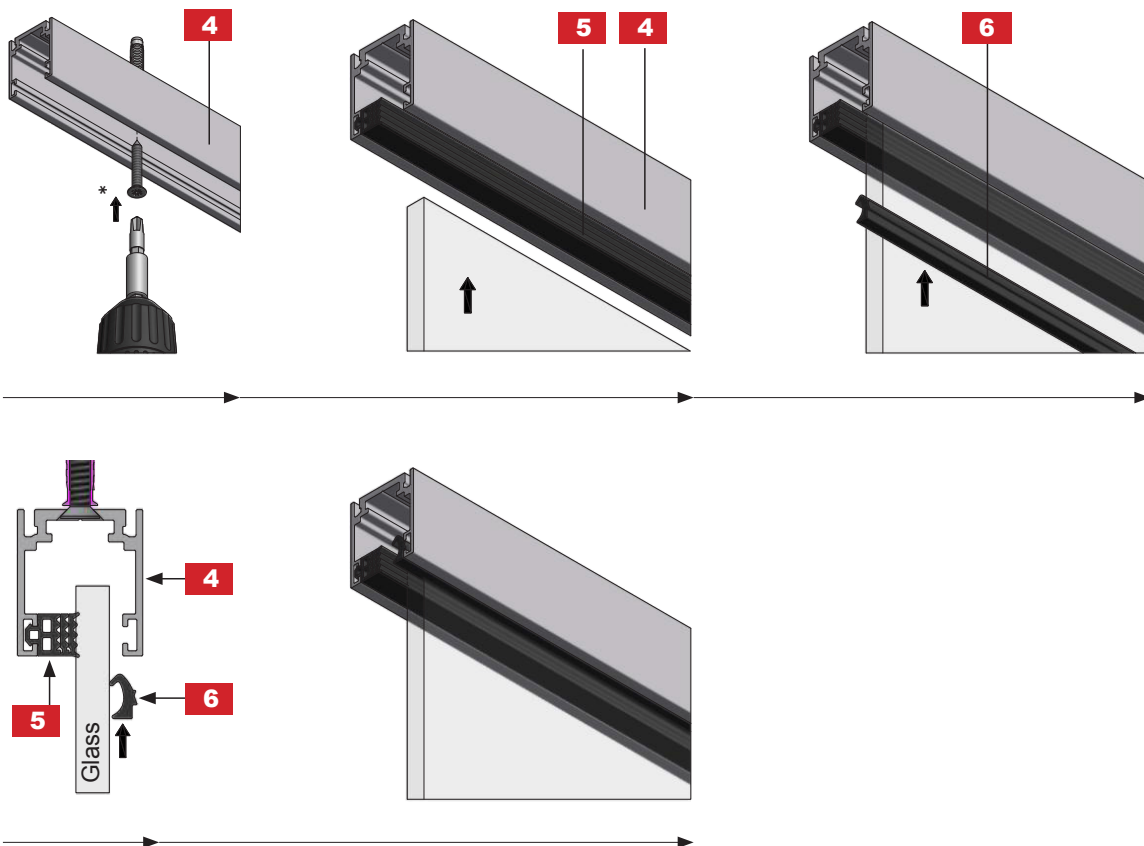
A FIXED FRAME (FLOOR AND WALL)



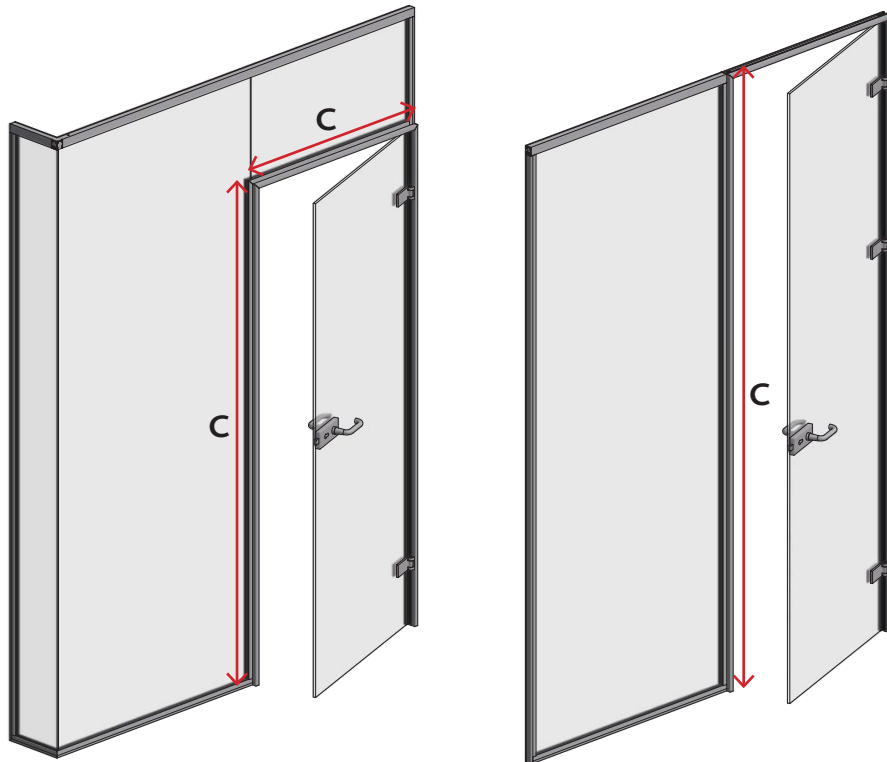
* ...fasteners are not included



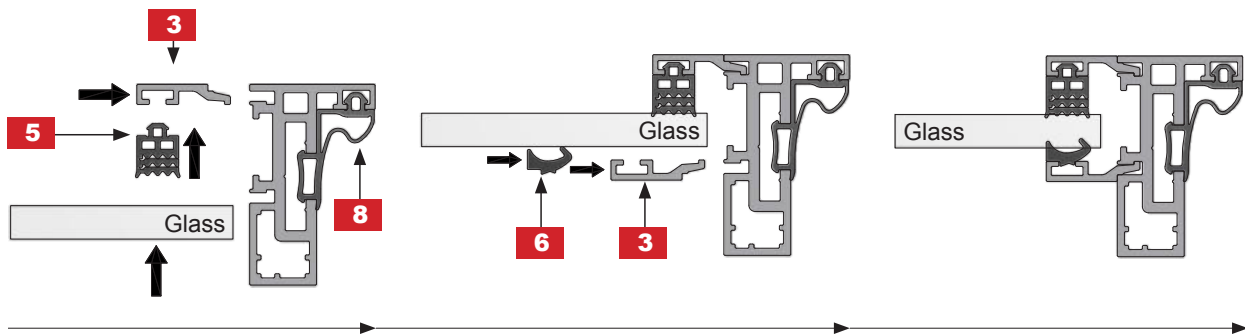
B FIXED FRAME (TOP)

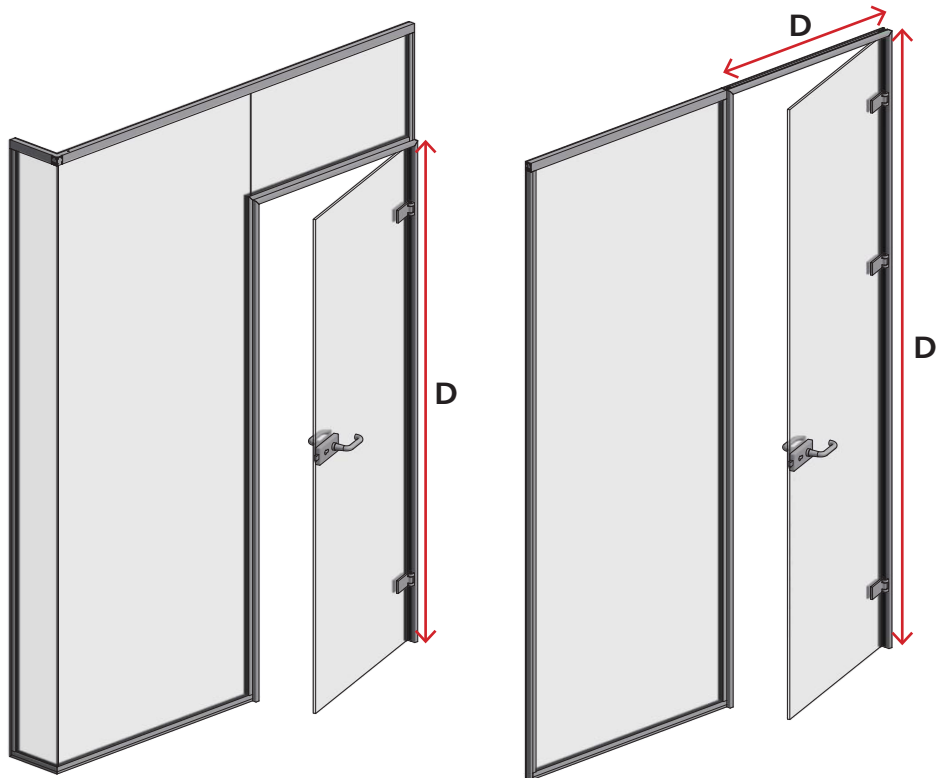


* ...fasteners are not included

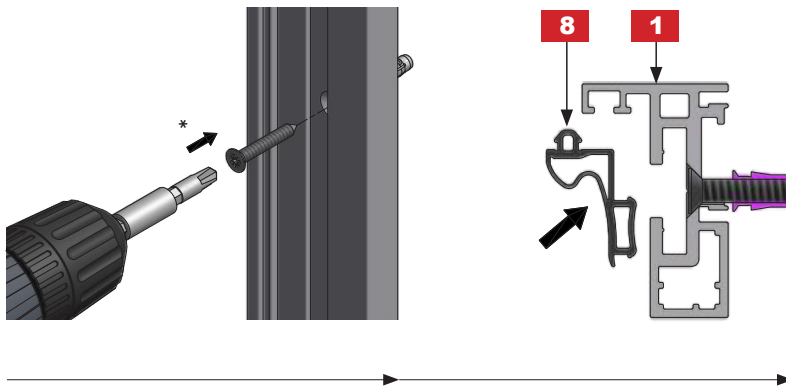


C DOOR FRAME WITH GLASS CONNECTION

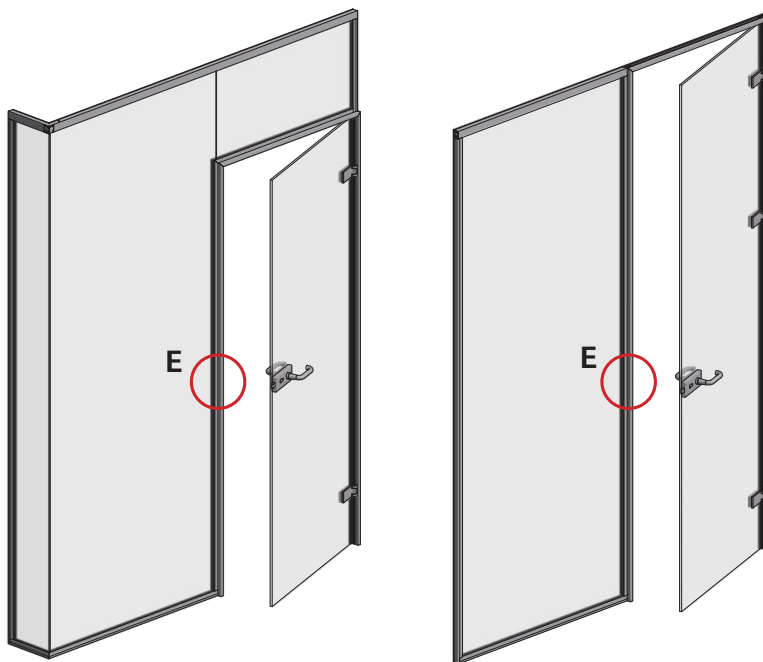




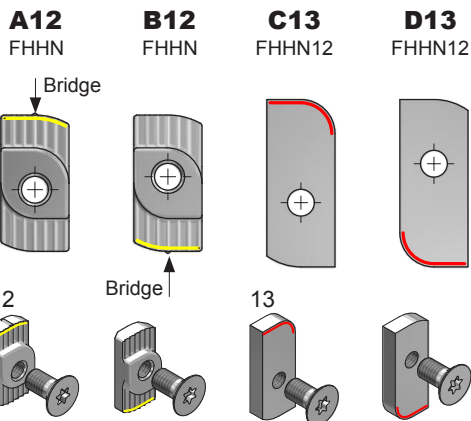
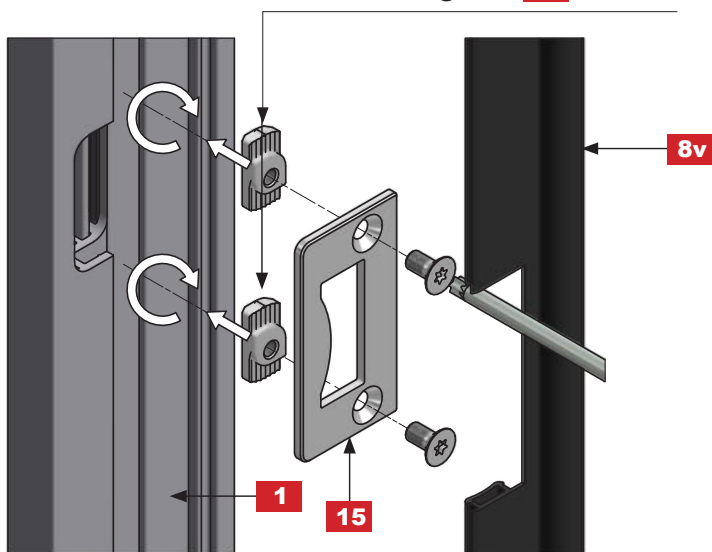
D DOOR FRAME WITH WALL CONNECTION



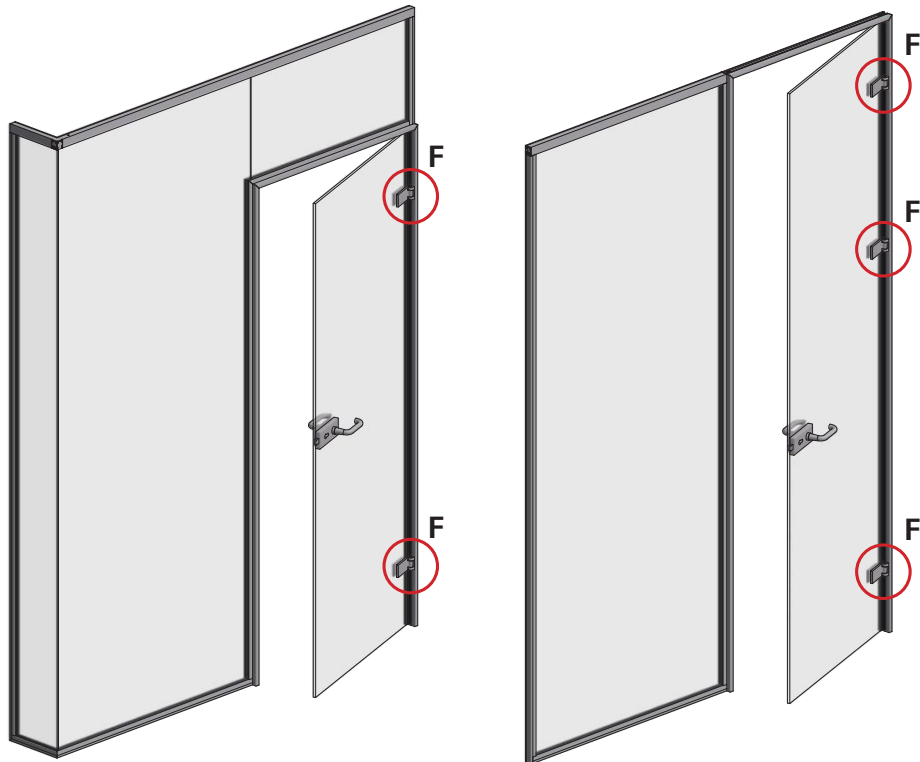
* ...fasteners are not included



E Installation position of hammerhead nut (13/14) according to table **14**

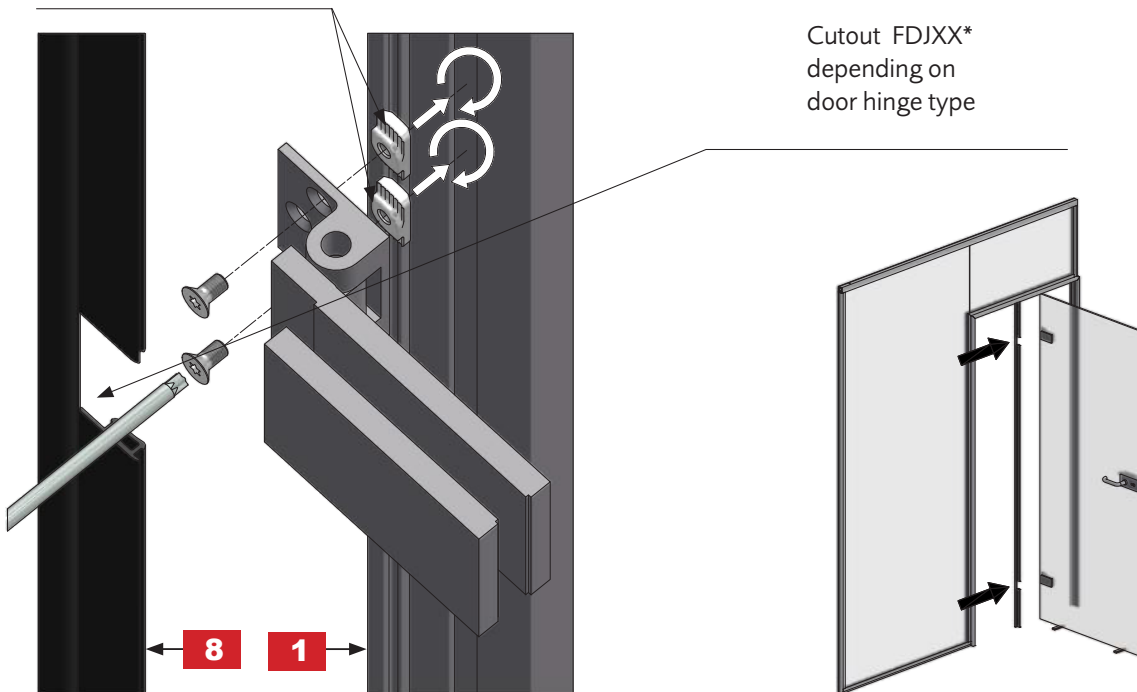


| Table | Strike plate | | | Door hinge | | |
|-------|--------------|------|------|------------|------|------|
| | 5/16" | 3/8" | 1/2" | 5/16" | 3/8" | 1/2" |
| LH | A12 | B12 | D13 | B12 | A12 | C13 |
| RH | B12 | A12 | C13 | A12 | B12 | D13 |

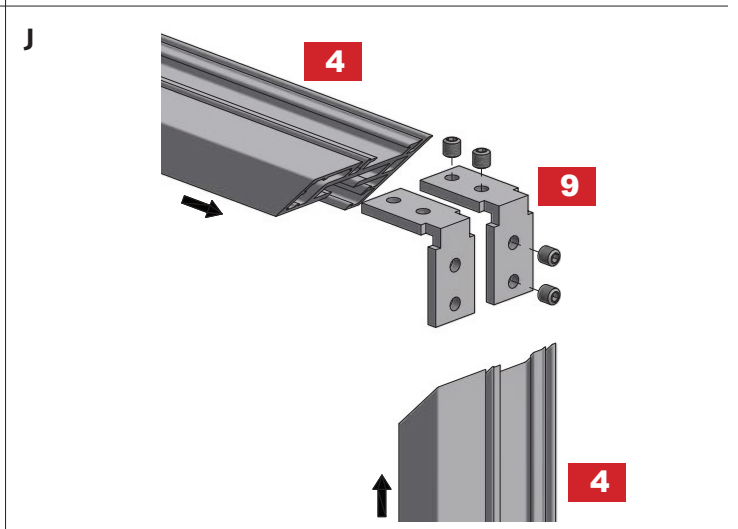
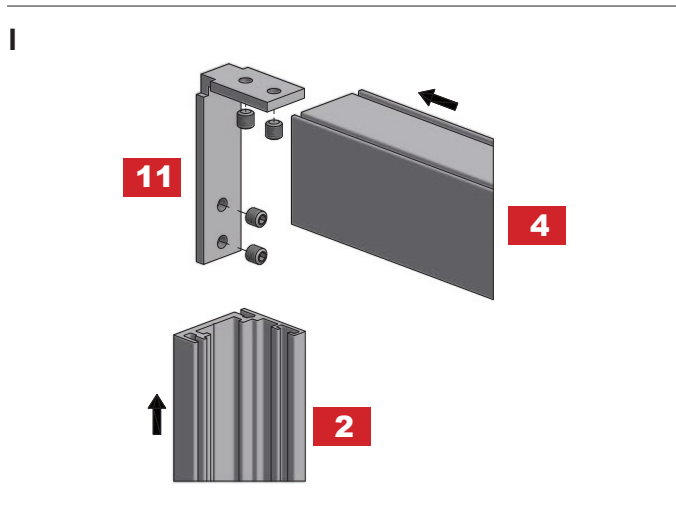
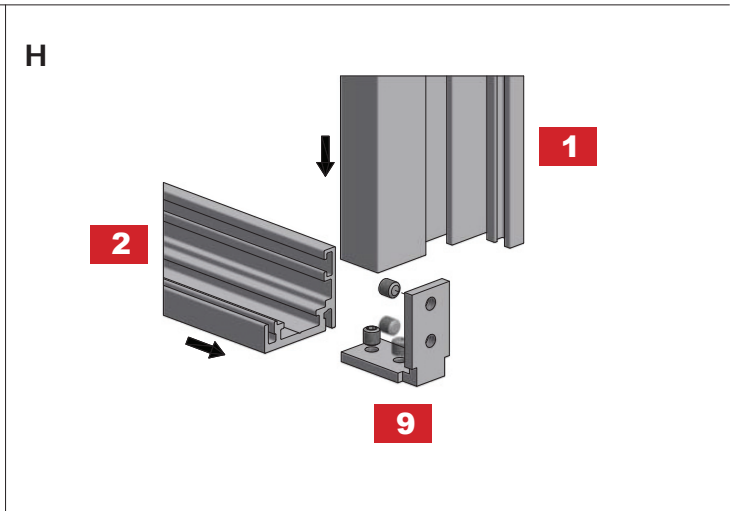
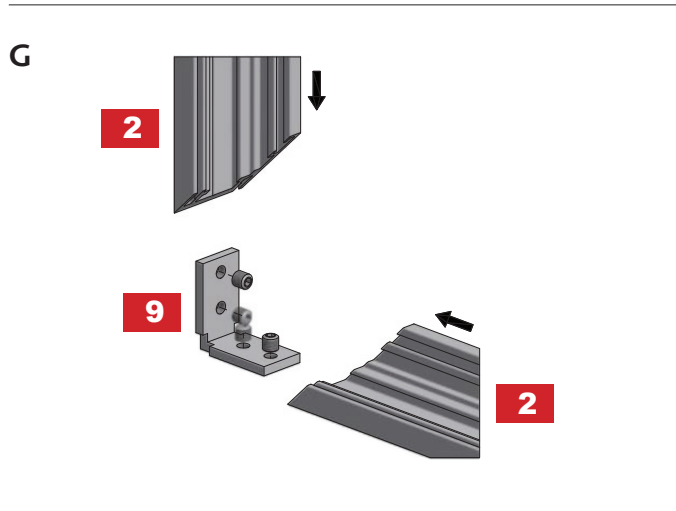
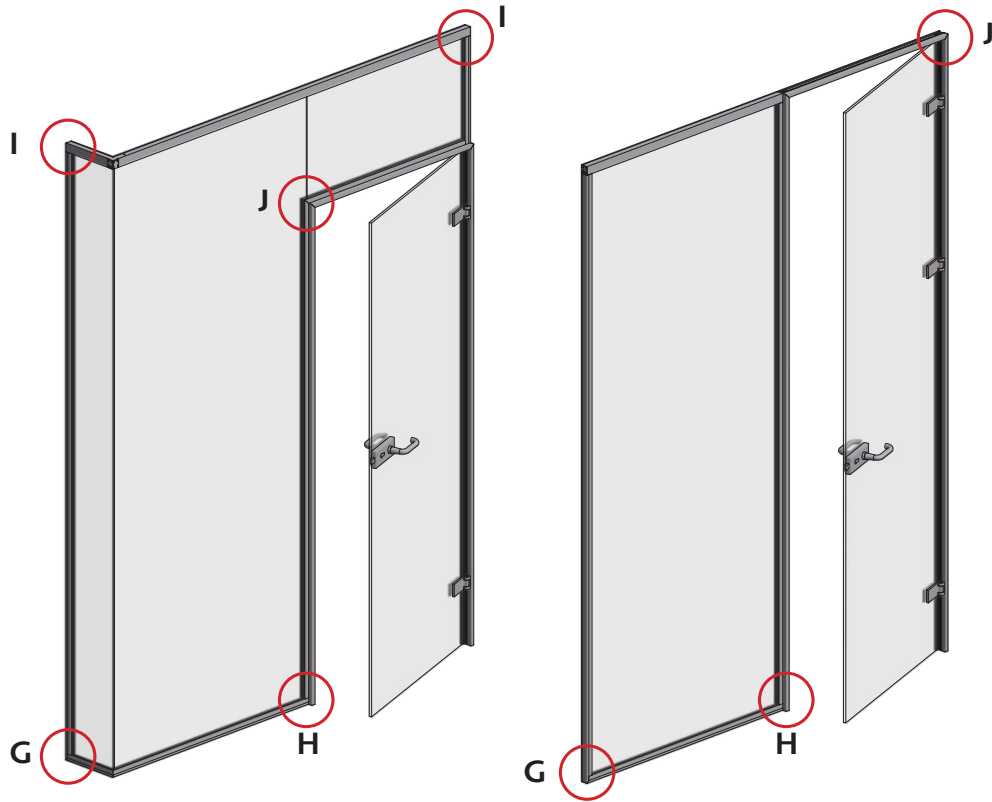


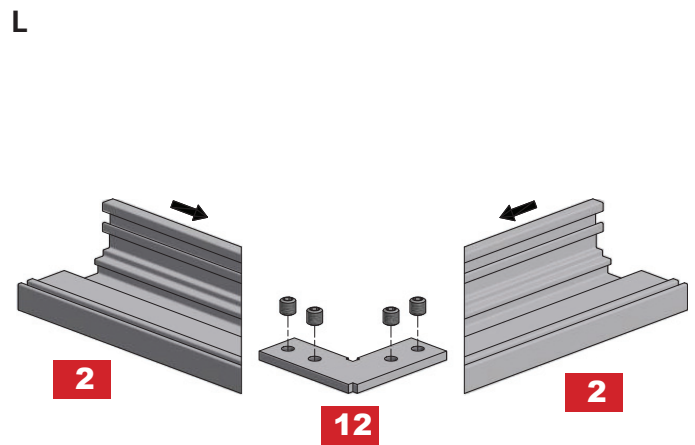
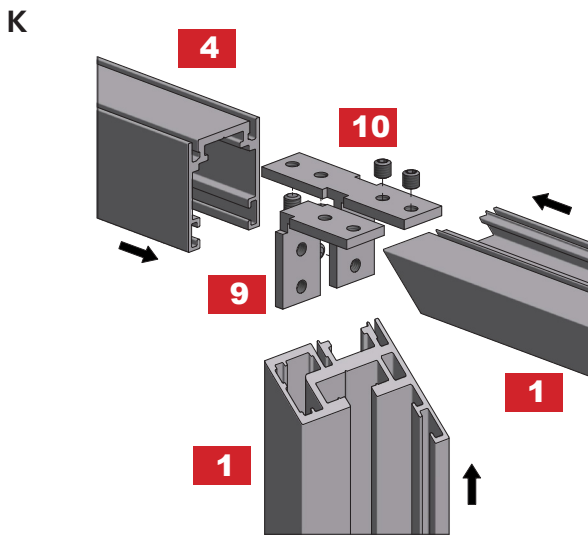
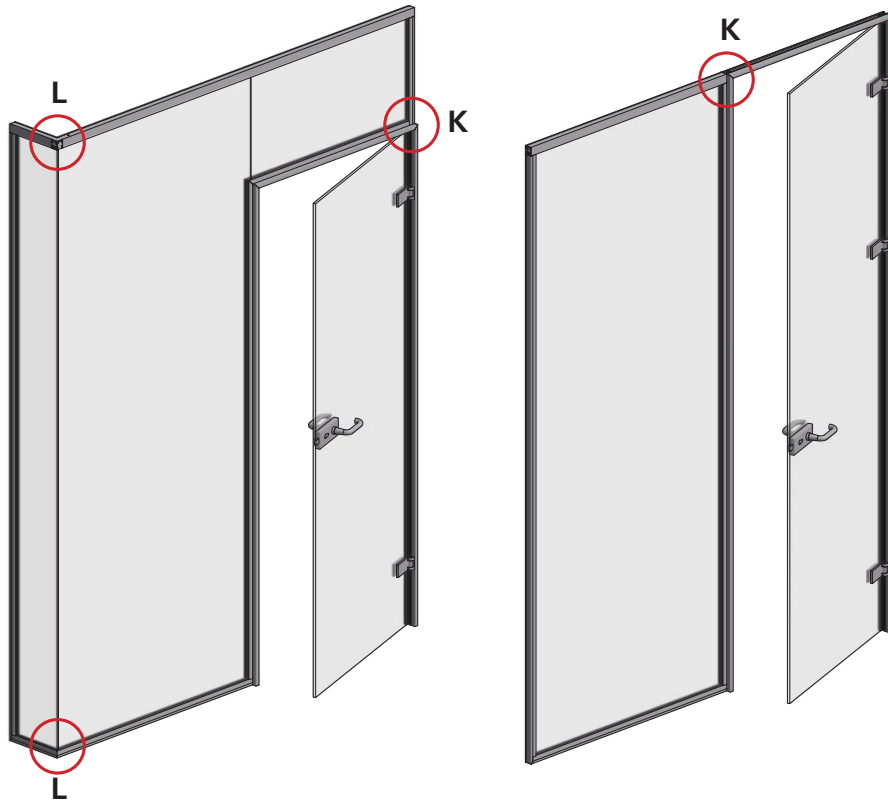
F

Installation position of hammerhead nut
(13/14) according table



*...XX means different colours available, please see ITEMS



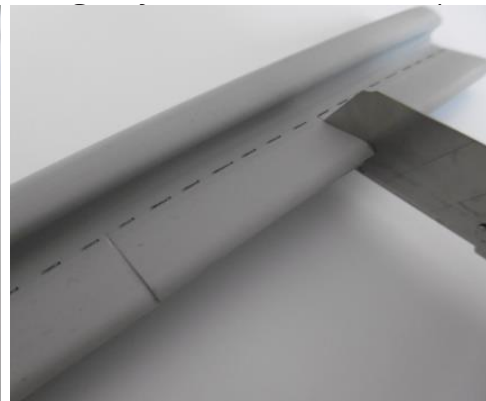


NOTCHING THE DOOR FRAME GASKET 8



Step 1

Cut in the gasket up to the imaginary line (dashed), twice per hinge/strike plate.



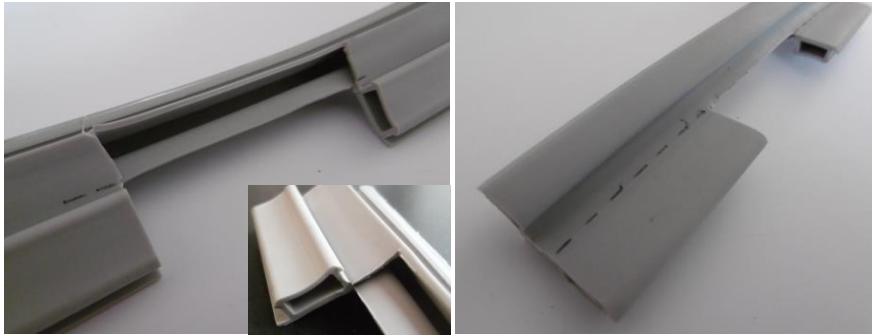
Step 2

Turn around the gasket and cut away the previously cut in piece along the imaginary line (dashed).



Step 3

Open up the hollow-chamber and cut in the innerflap at the ends and then cut away the incised part – done.



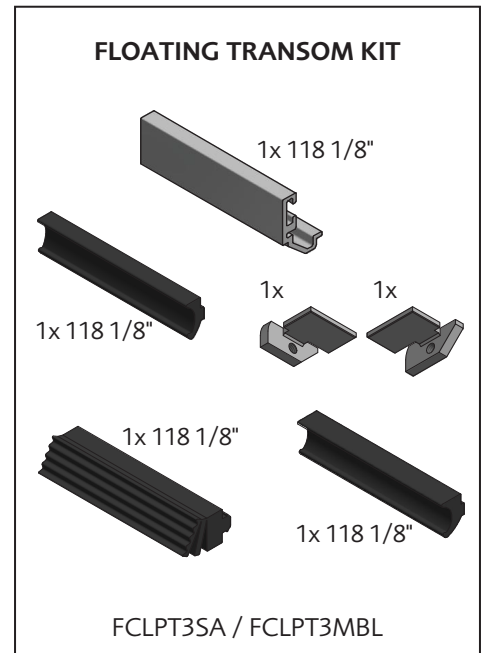
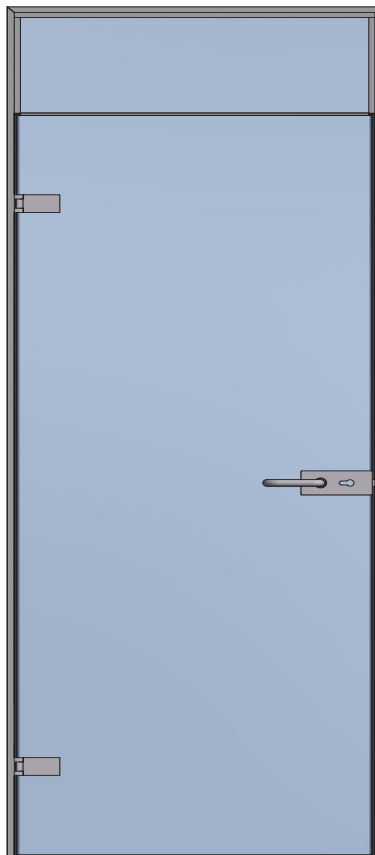
ASSEMBLY INSTRUCTION FLOATING TRANSOM

DOOR FRAME ASSEMBLY ACCORDING TO THE FALLBROOK ASSEMBLY INSTRUCTION

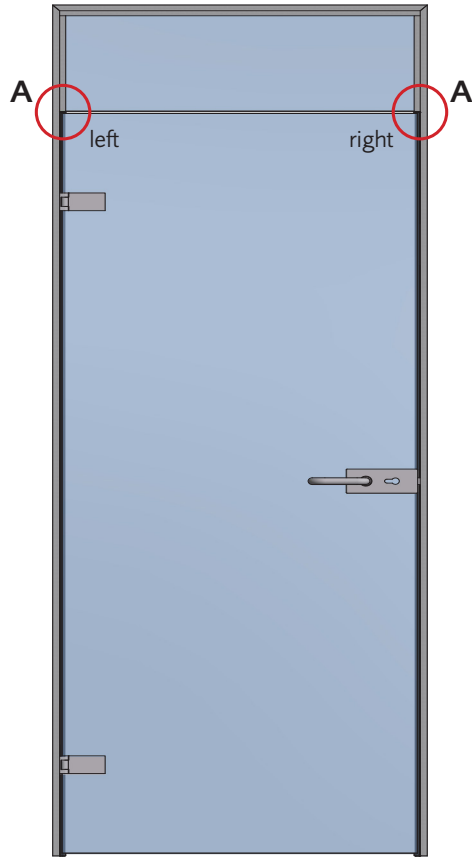
FOR USE WITH 3/8" AND 5/16" GLASS

MAX. TRANSOM HIGHT 36"

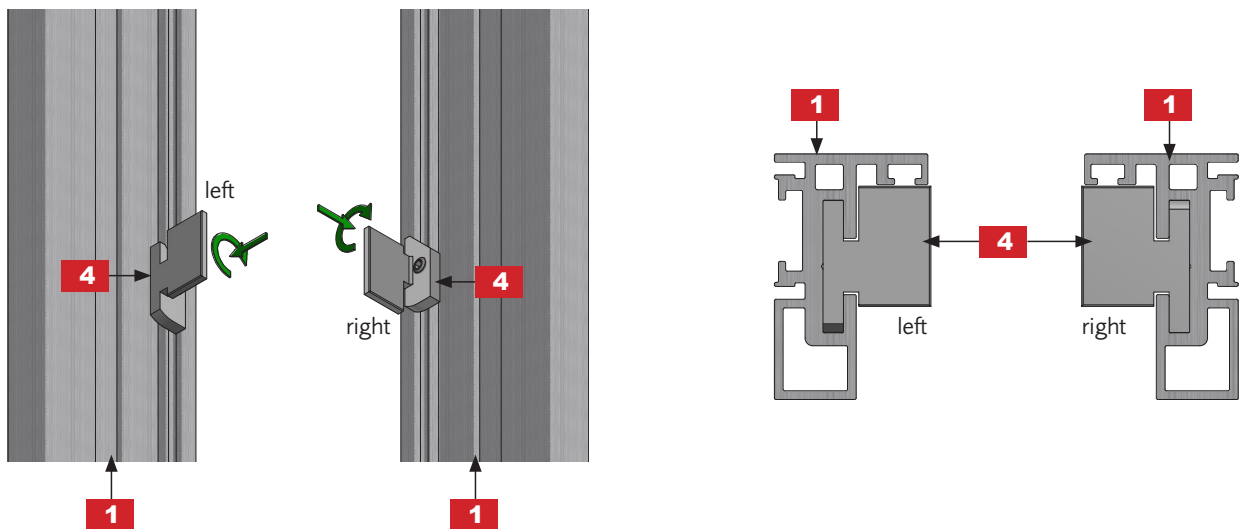
PLEASE ORDER SYSTEM DRAWING FOR DETAILED INSTALLATION DIMENSIONS.



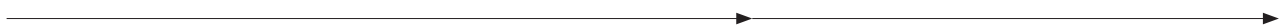
| | | |
|--|--|---|
| <p>1</p> <p>FBD6MBL / FBD6SA</p> | <p>2</p> <p>FDJBL / FDJBL25 / FDJGR / FDJGR25</p> | <p>3</p> <p>included in FCLPT3SA & FCLPT3MBL</p> |
| <p>4</p> <p>FTHHN1 / FTHHN1MBL also included in FCLPT3SA & FCLPT3MBL</p> | <p>5</p> <p>FRGBL / FRGBL25 / FRGGR / FRGGR25 also included in FCLPT3SA & FCLPT3MBL</p> | <p>6</p> <p>included in FCLPT3SA & FCLPT3MBL</p> |
| <p>7</p> <p>FFPBL / FFPBL25 / FFGR / FFGR25 also included in FCLPT3SA & FCLPT3MBL</p> | | |

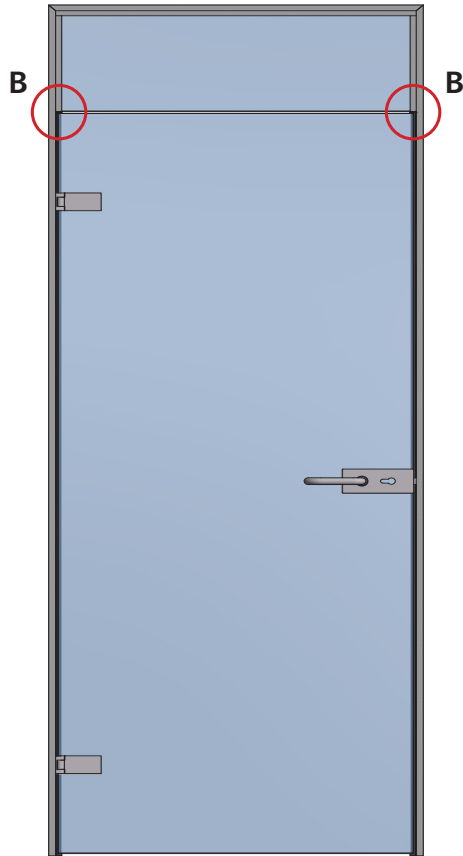


A INSERTING THE SUPPORTING HAMMER HEAD NUTS



FIXATION WITH METRIC M5X4 GRUB SCREW (INCLUDED)

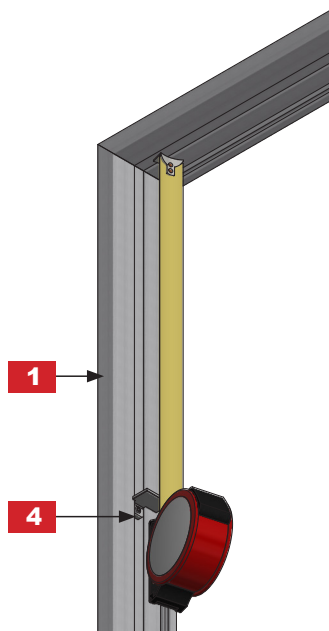




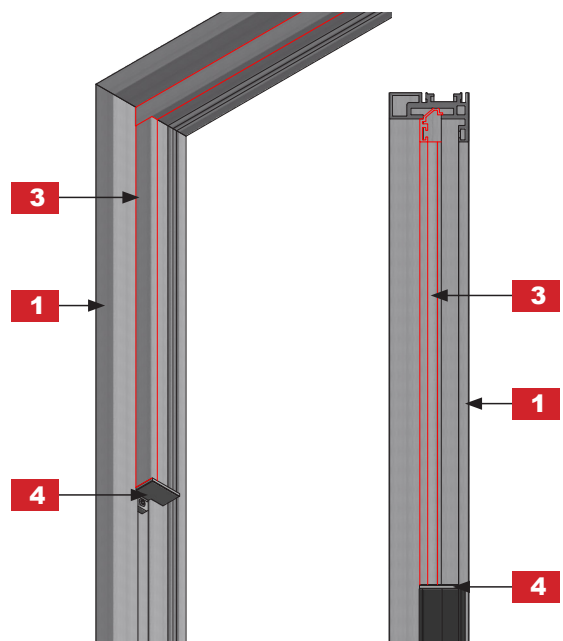
B1... OPTION 1
B2... OPTION 2

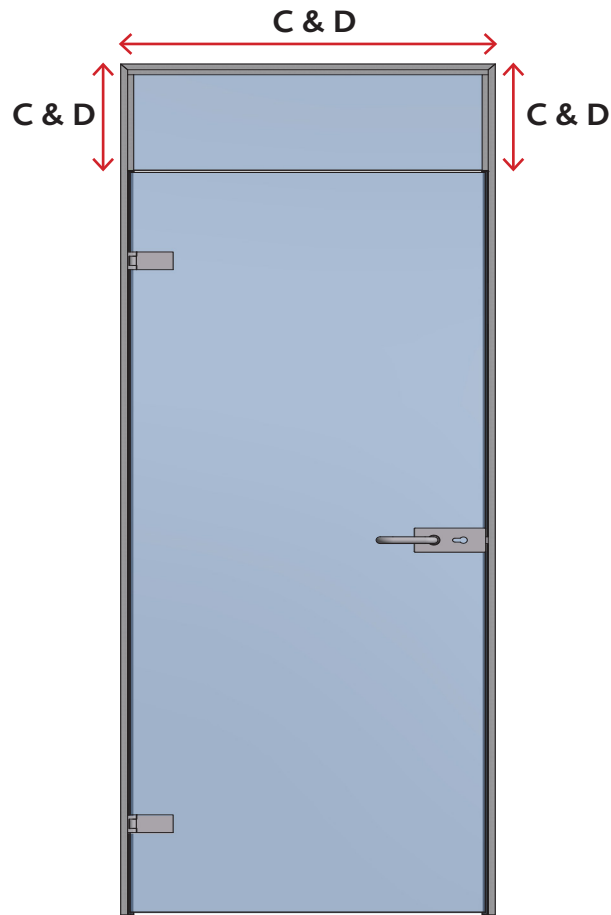
B EXACT POSITIONING OF THE SUPPORTING HAMMER HEAD NUTS (TWO OPTIONS POSSIBLE).

B1 BY TAPE MEASURE ACCORDING TO THE PLANNING.

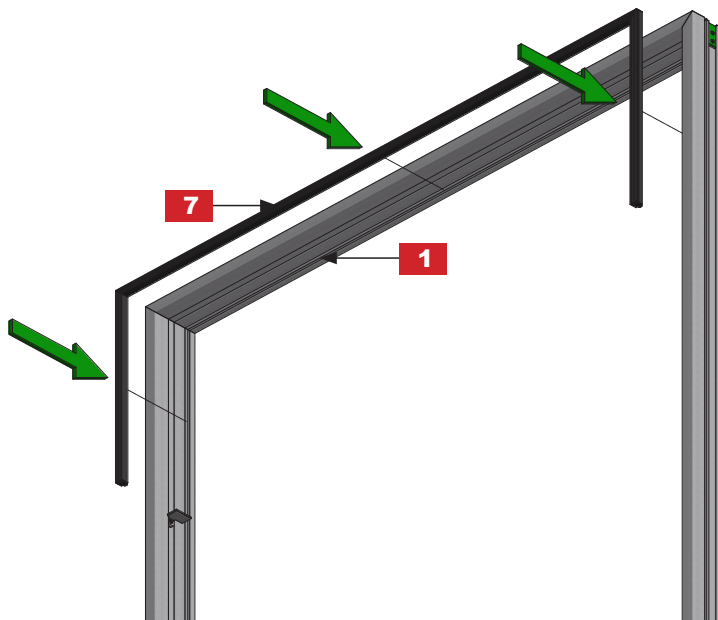


B2 BY USING THE TRANSOM LIGHT CLIPS (REMOVE CLIPS BEFORE THE NEXT STEP).





C INSERTING THE FFPXX **7** GLAZING GASKET IN THE TRANSOM LIGHT AREA

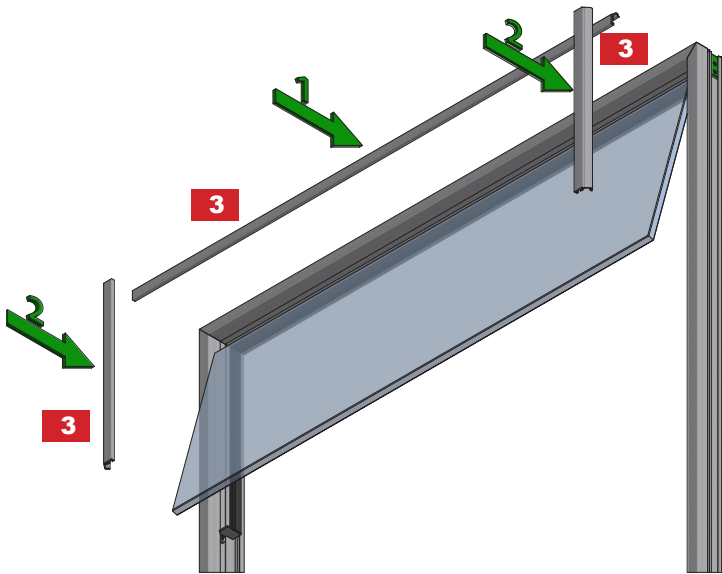


7
GASKET PREPARATION
 TEAR OF TWO/BOTH GASKET LIPS

AS DELIVERED

AS INSTALLED

D GLAZING THE TRANSOM LIGHT

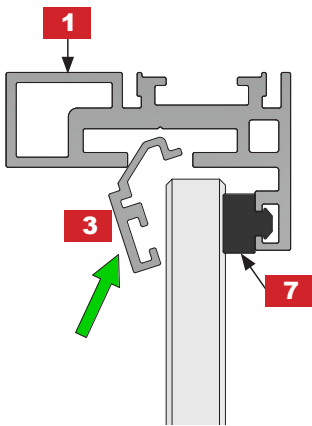


INSERTING THE GLASS. THE GLASS IS PLACED ON THE WINGS OF THE HAMMER HEAD NUTS.

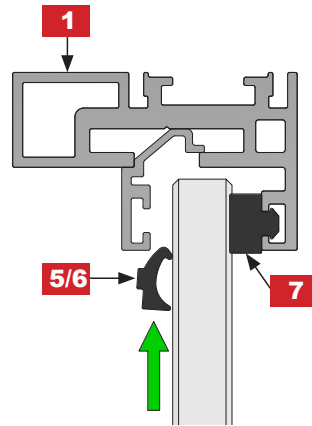
5 6

SELECTION OF THE PUSH-IN GLAZING GASKET, DEPENDING ON THE USED TRANSOM LIGHT GLASS THICKNESS

| | |
|-------------|-------------|
| 3/8" (10mm) | 5/16" (8mm) |
| | |

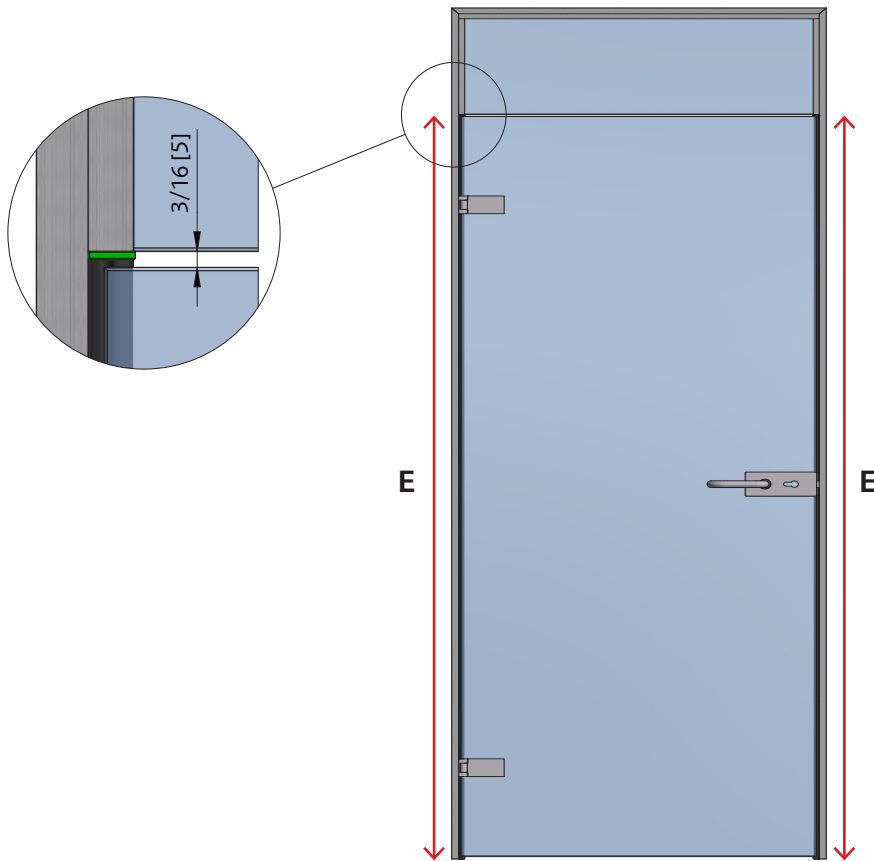


INSERTING THE TRANSOM LIGHT CLIPS. IN THE SHOWN SEQUENCE (ABOVE)

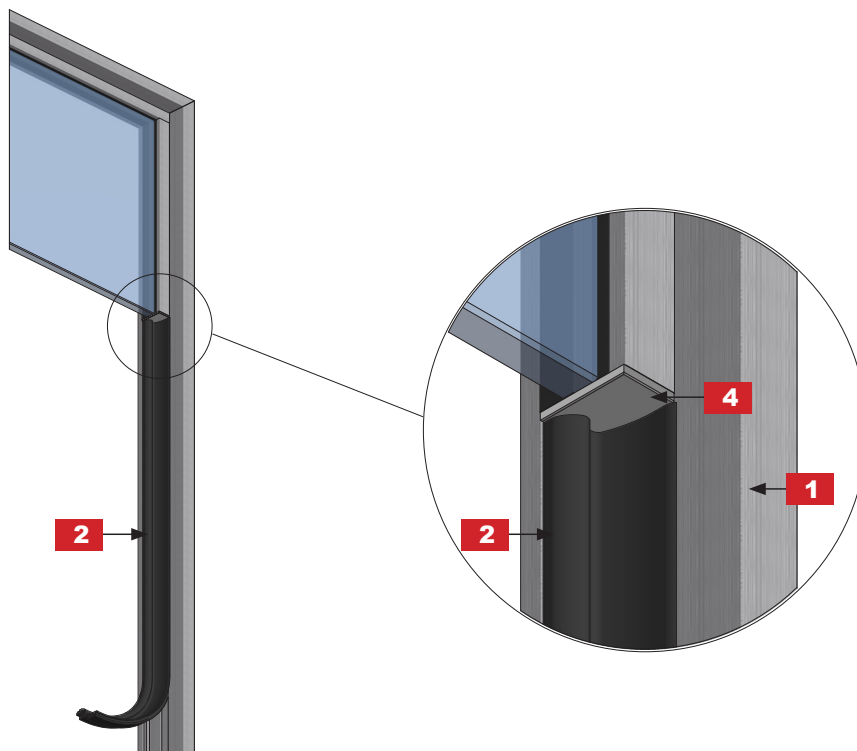


FIXING THE GLASS WITH THE MATCHING PUSH-IN GLAZING GASKET. GASKET HAS TO BE CUT TO SIZE ON-SITE.

| | | |
|-----------------|-----------------|---|
| <p>A</p> | <p>B</p> | <p>SCREW HEADS OF THE DOOR FRAME FIXATION MUST NOT PROTRUDE A OR THE TRANSOM LIGHT CLIP HAS TO BE NOTCHED IN THE AREAS OF THE FIXING POINTS B</p> |
|-----------------|-----------------|---|

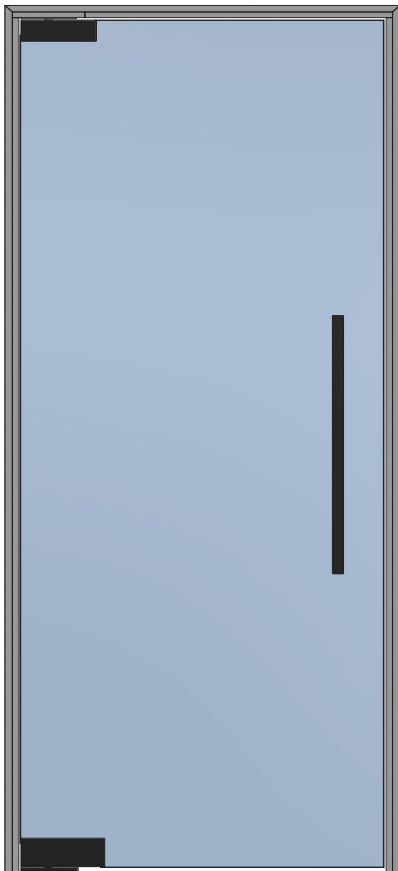


E DOOR LEAF INSTALLATION ACCORDING TO THE FALLBROOK ASSEMBLY INSTRUCCION. INSERTING THE DOOR JAMB GASKET.



ASSEMBLY INSTRUCTION SWING DOOR

DOOR FRAME ASSEMBLY ACCORDING TO THE FALLBROOK ASSEMBLY INSTRUCTION



MAX. DOOR WIDTH 36"
 MAX. DOOR HEIGHT 118"
 MAX. DOOR WEIGHT 190lbs

PLEASE ORDER SYSTEM DRAWING FOR DETAILED INSTALLATION DIMENSIONS.

SWING DOOR KIT - WALL

2x 96 7/16"
 1x 43 5/16"

2x 96 7/16"
 1x 43 5/16"

4x

1x

FTW2GCPSA / FTW2GCPMBL

SWING DOOR KIT - GLASS

2x 96 7/16"
 1x 43 5/16"

2x 96 7/16"
 1x 43 5/16"

1x

2x 96 7/16"
 1x 43 5/16"

6x

2x 96 7/16"
 1x 43 5/16"

4x 96 7/16"
 2x 43 5/16"

FTG2GCPSA / FTG2GCPMBL

1

1 3/16 [30]
 1 7/8 [48]

FBD6MBL / FBD6SA
 also included in
 FTW2GCPSA & FTG2GCPSA /
 FTW2GCPMBL & FTG2GCPMBL

2

9/16 [14]
 1 5/8 [42]
 6 3/16 [158]

FCPDB1SA / FCPDB1MBL
 also included in
 FTW2GCPSA & FTG2GCPSA /
 FTW2GCPMBL & FTG2GCPMBL

3

1 5/8 [42]
 3/4 [19]

FCLPCP6SA / FCLPCP6MBL
 also included in
 FTW2GCPSA & FTG2GCPSA /
 FTW2GCPMBL & FTG2GCPMBL

SYSTEM COMPATIBLE FITTINGS (sold separately)

4

1NT401

PH21

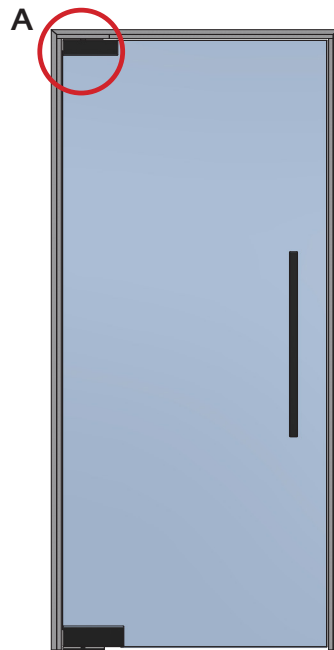
6 7/16" [164 mm]
 2" [52 mm]

CRL380

7 3/16" [182 mm]
 1 5/8" [42 mm]
 2 3/4" [70 mm]

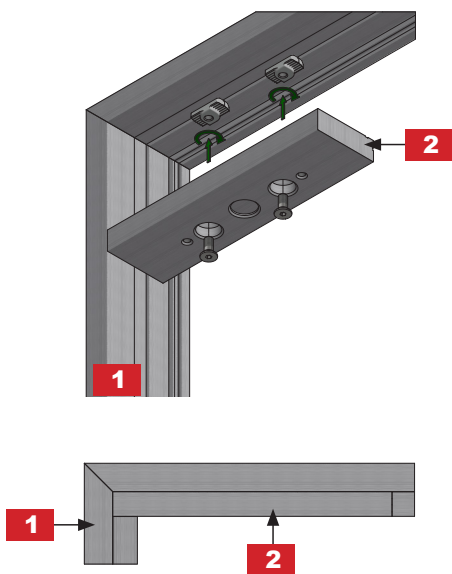
Base Plate
 1-13/16" W x 2-7/8" L x 7/16" H
 (46 x 72 x 11 mm)

PLEASE NOTE THE ASSEMBLY INSTRUCTIONS FROM THE DOOR HARDWARE SUPPLIER

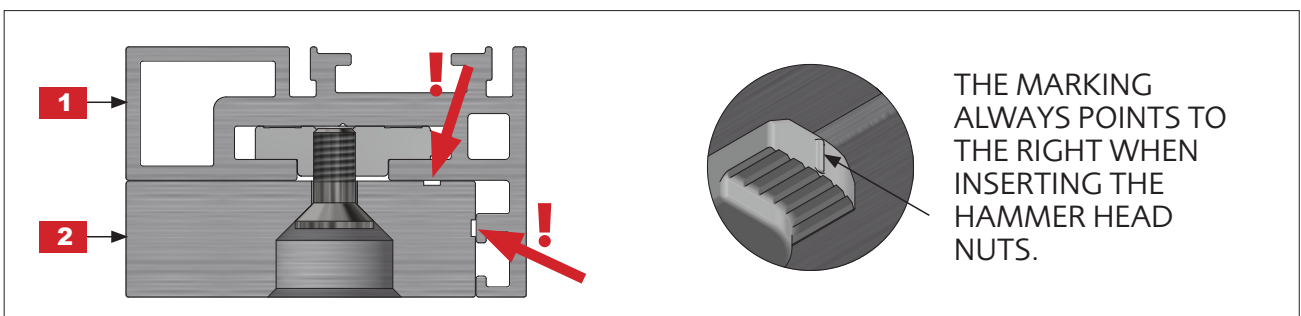
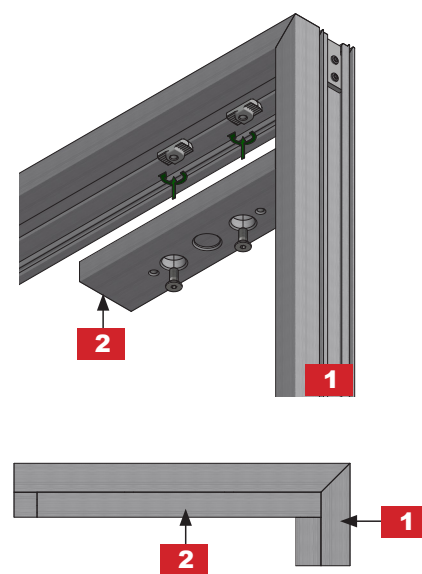


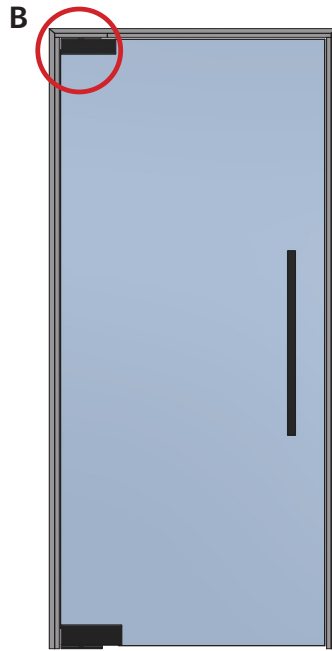
A FIXING THE CONNECTING BLOCK (FCPDB1XXX) **2**

LEFTHANDED

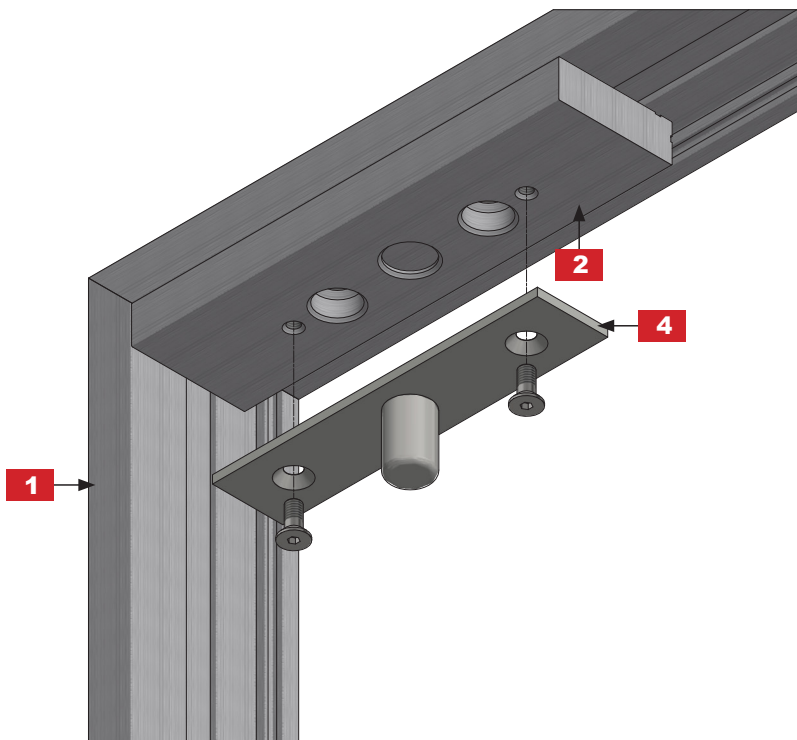


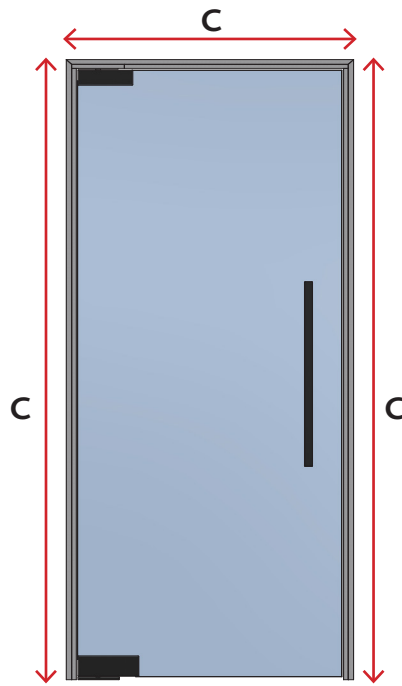
RIGHTHANDED



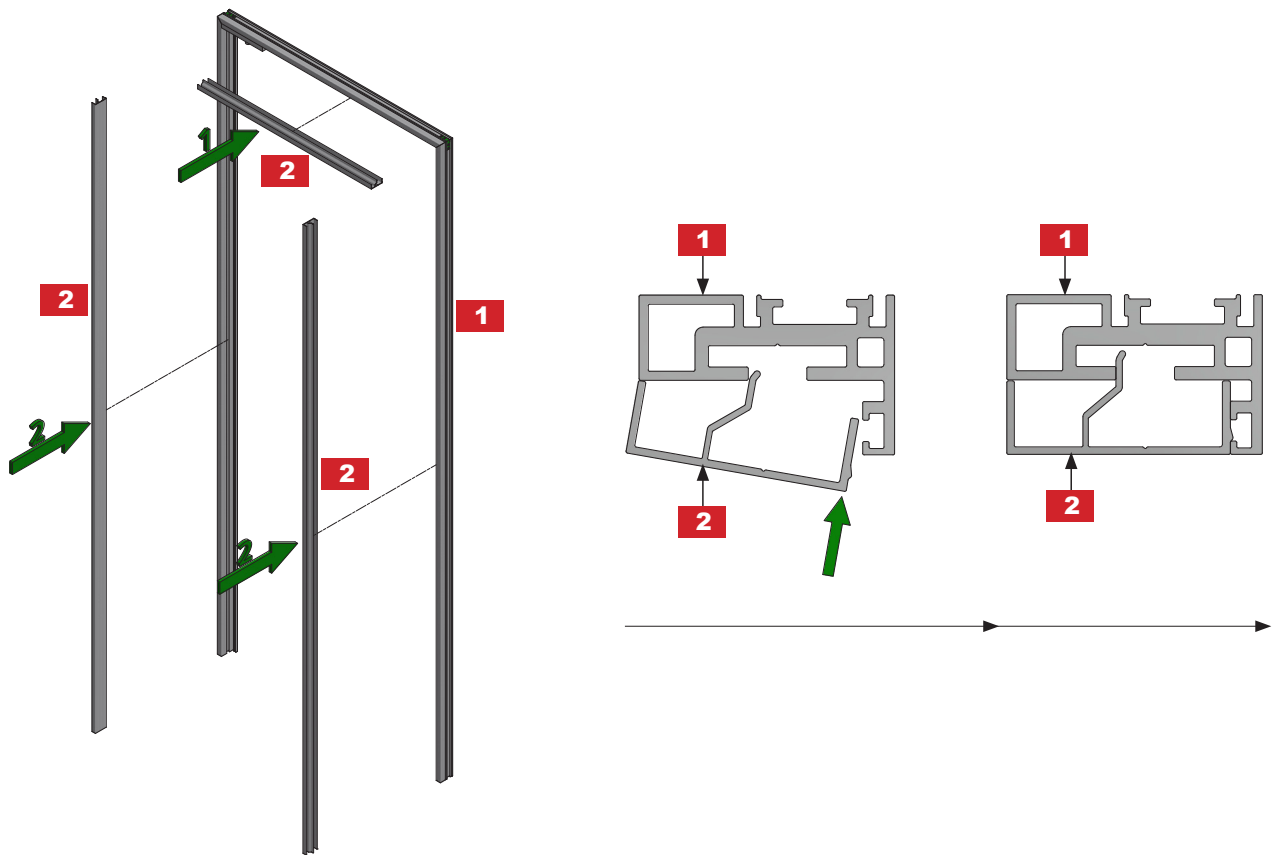


B ATTACHING THE CENTER-HUNG FREE SWING PIVOT (1NT401) **4** TO THE BLOCK

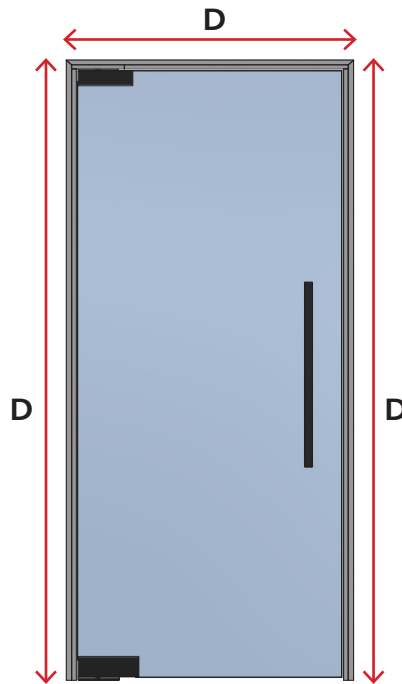




C INSERTING THE DOOR REBATE CORNER PROFILE. PROFILE CUT TO SIZE ON-SITE.



OPTIONAL FOR RETROFITTING



- D** BEFORE YOU START WITH THE INSTALLATION, PLEASE REMOVE THE GASKET. ONLY WHEN RETROFITTING AN EXISTING FALLBROOK DOOR.

