



**C.R. LAURENCE CO., INC.**  
PROFESSIONAL QUALITY

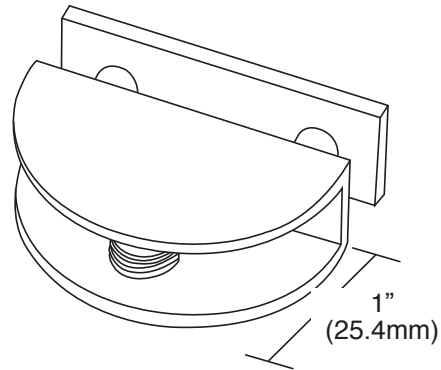
## Specifications:

**Material:** Solid brass

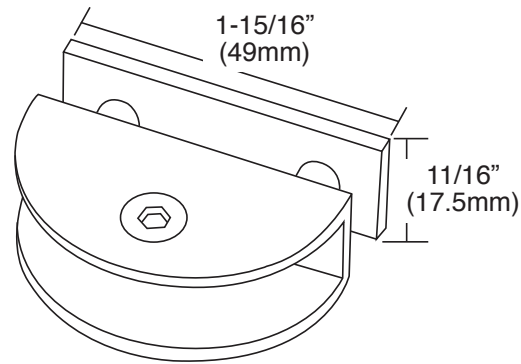
**Glass Thickness Range:** 1/4"(6mm) to 3/8"(10mm)

**Hole Size Required:** 1/2" (12mm)

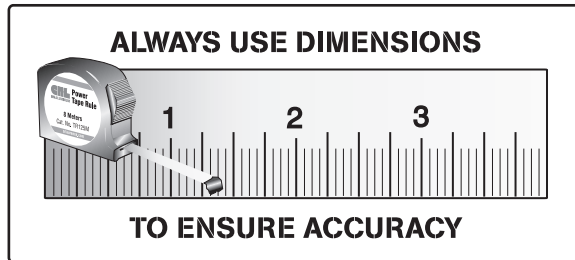
**Includes:** Mounting screws and gaskets



FRONT VIEW



REAR VIEW

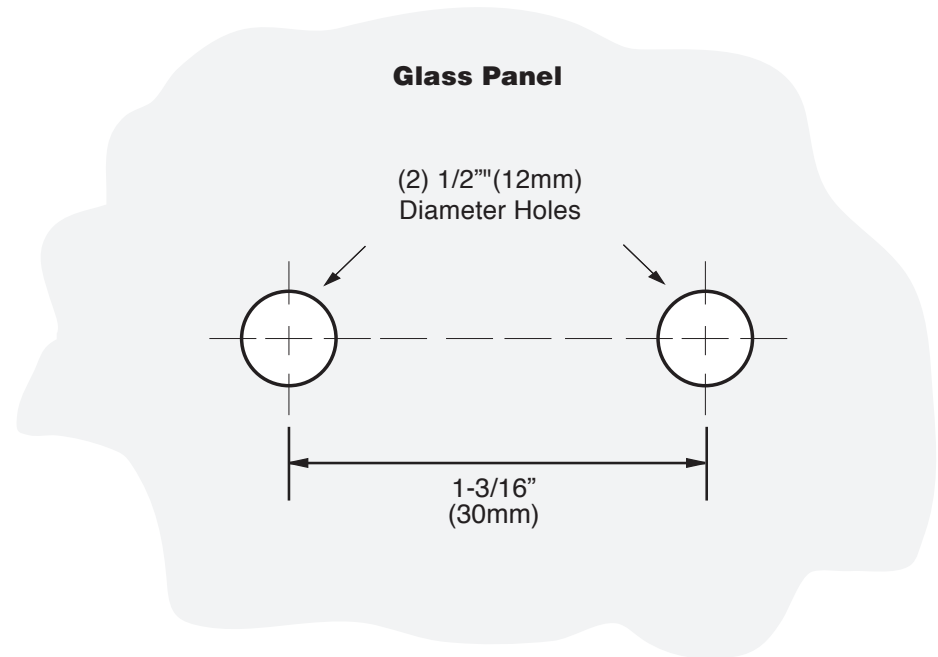


## THRU-GLASS SHELF CLAMPS

Rounded

**CAT. No. FA82**

## TYPICAL INSTALLATION



C.R. Laurence Co., Inc. [crlaurence.com](http://crlaurence.com) For technical assistance in the United States call toll free (800) 421-6144; from Canada call toll free (877) 421-6144; Outside the U.S. and Canada call (323) 588-1281. Ask for Tech Sales at Extension 7740. Toll free fax (800) 458-7496.