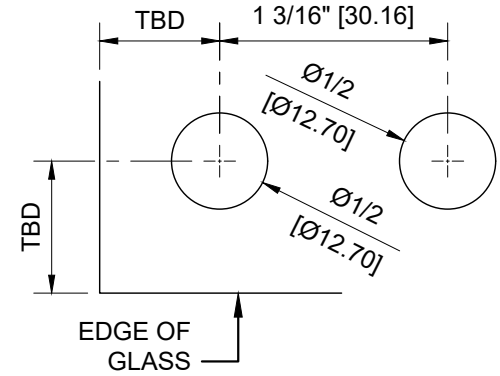
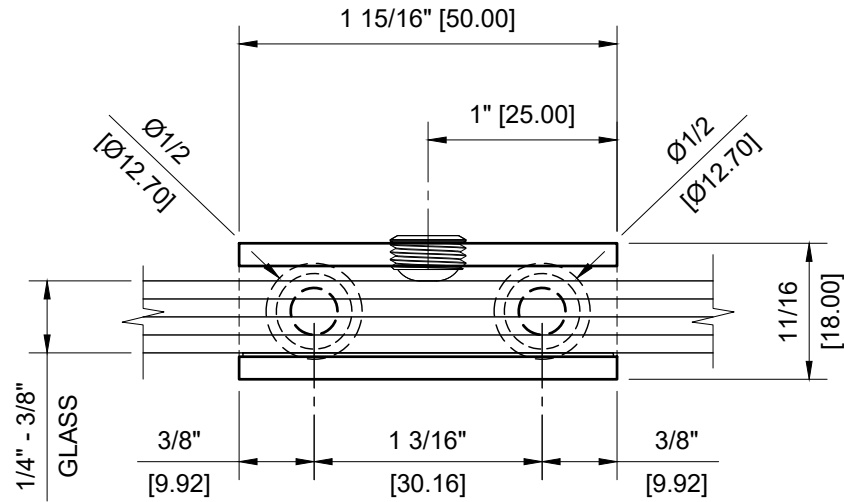
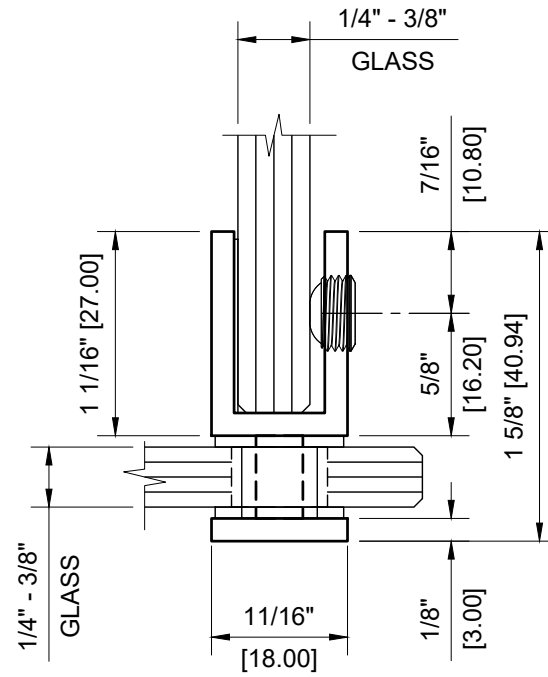
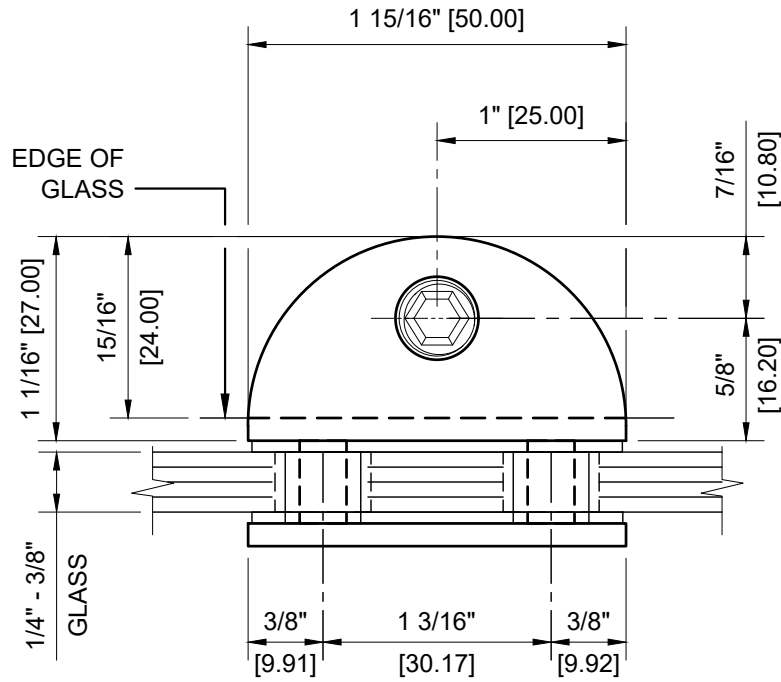


GLASS: 1/4" (6mm)
GLASS: 3/8" (10mm)



GLASS FABRICATION TEMPLATE



CRL - FA82 THRU GLASS ROUNDED SHELF CLAMP FOR 1/4" - 3/8" GLASS

DATE: 10-9-2020
SCALE: 1'-0"=1'-0"
DRAWN BY: VM

DESCRIPTION: CRL - FA82
THROUGH GLASS ROUNDED SHELF CLAMP

C.R. LAURENCE CO. ARCHITECTURAL PRODUCTS
 2503 E. Vernon Avenue, Los Angeles, CA 90058-1897
 PH (800)-421-6144 FX: 800-587-7501 www.crlaurence.com

