



C.R. LAURENCE CO., INC.
PROFESSIONAL QUALITY

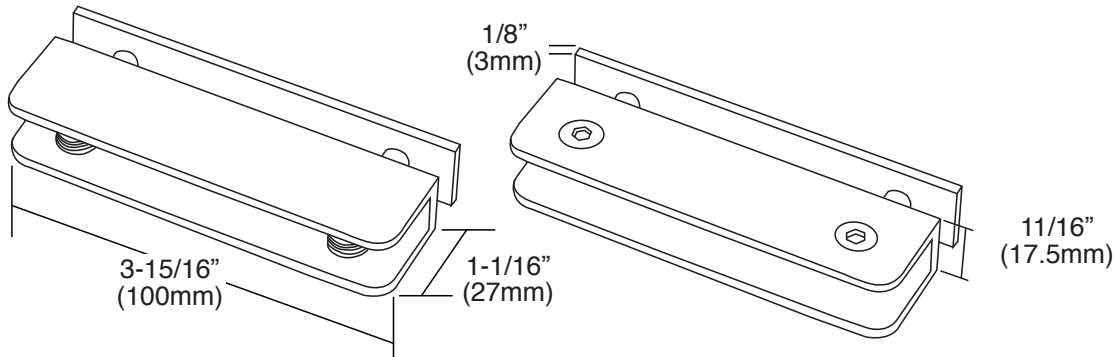
Specifications:

Material: Solid brass

Glass Thickness Range: 1/4"(6mm) to 3/8"(10mm)

Hole Size Required: 1/2" (12mm)

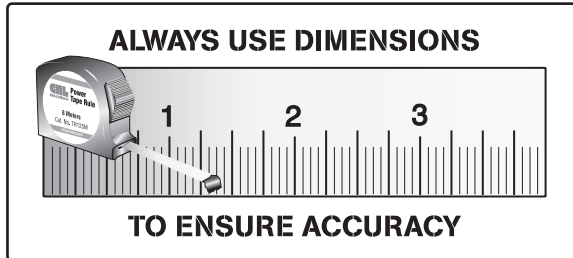
Includes: Mounting screws and gaskets



FRONT VIEW

REAR VIEW

TYPICAL INSTALLATION



THRU-GLASS SHELF CLAMPS

Rectangular
CAT. No. FA81

