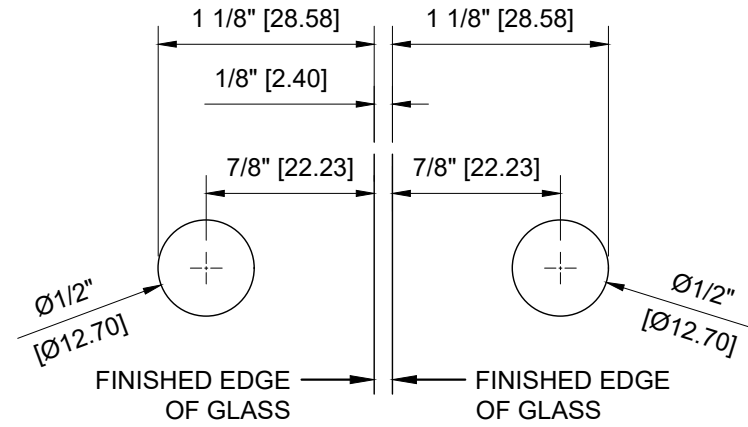
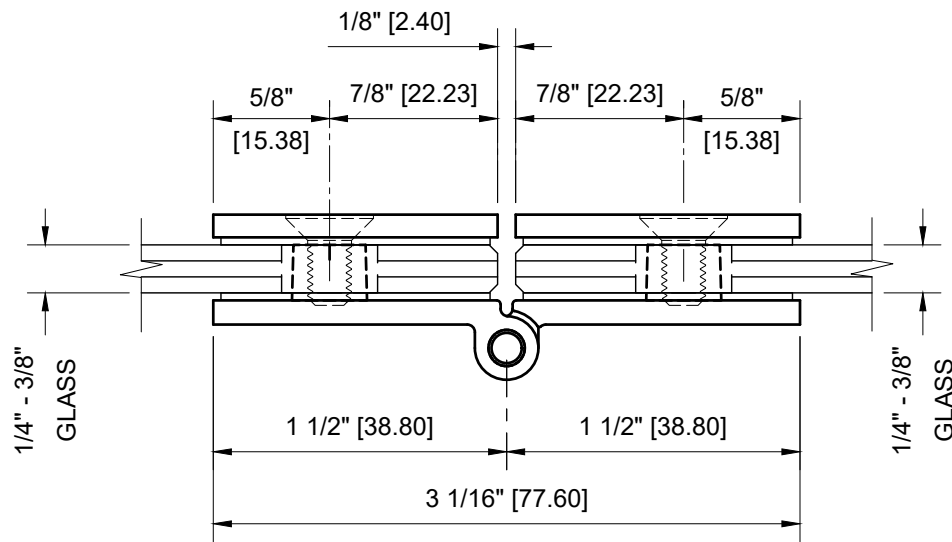
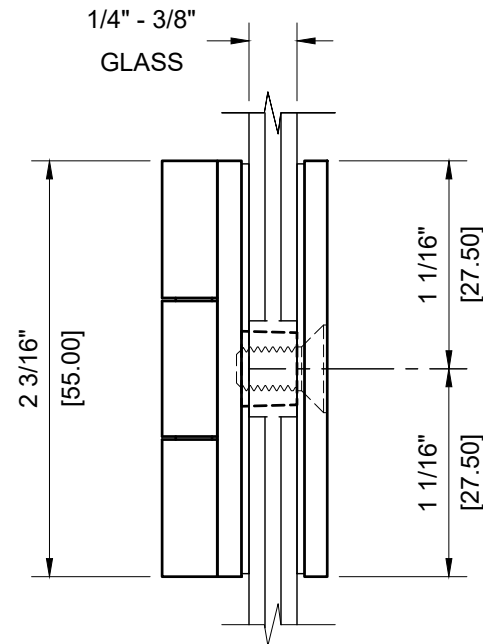
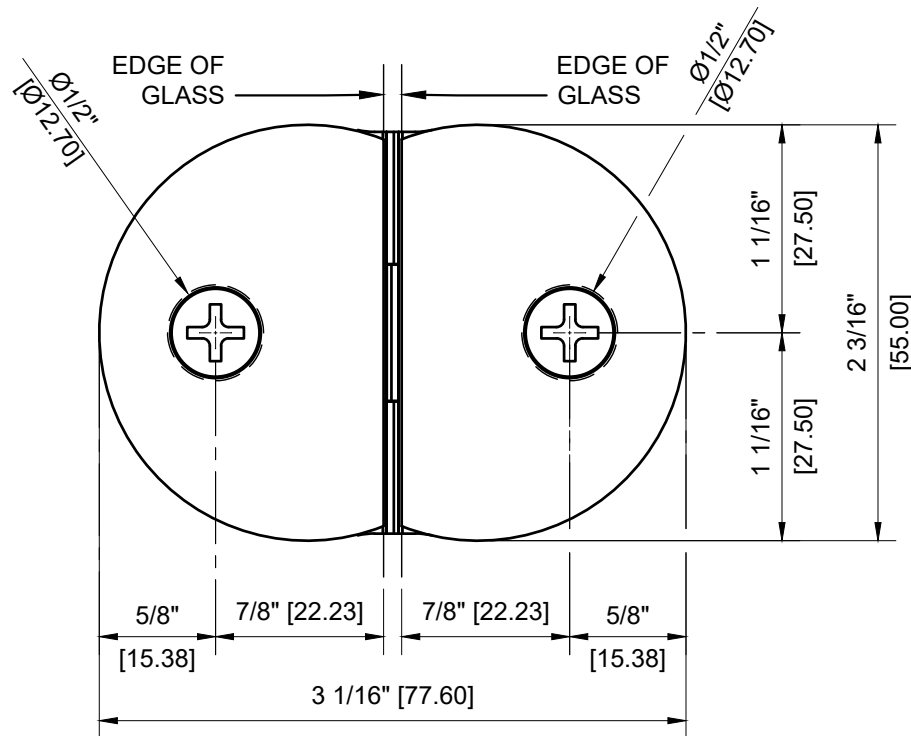


GLASS: 1/4" (6mm)  
 GLASS: 5/16" (8mm)



GLASS FABRICATION TEMPLATE



CRL - FA180 180 DEGREE GLASS TO GLASS CABINET HINGE FOR 1/4" - 5/16" GLASS

DATE: 10-9-2020  
 SCALE: 1'-0"=1'-0"  
 DRAWN BY: VM

DESCRIPTION: CRL - FA180  
 180° GLASS TO GLASS CABINET HINGE

C.R. LAURENCE CO. ARCHITECTURAL PRODUCTS  
 2503 E. Vernon Avenue, Los Angeles, CA 90058-1897  
 PH (800)-421-6144 FX: 800-587-7501 www.crlaurence.com

