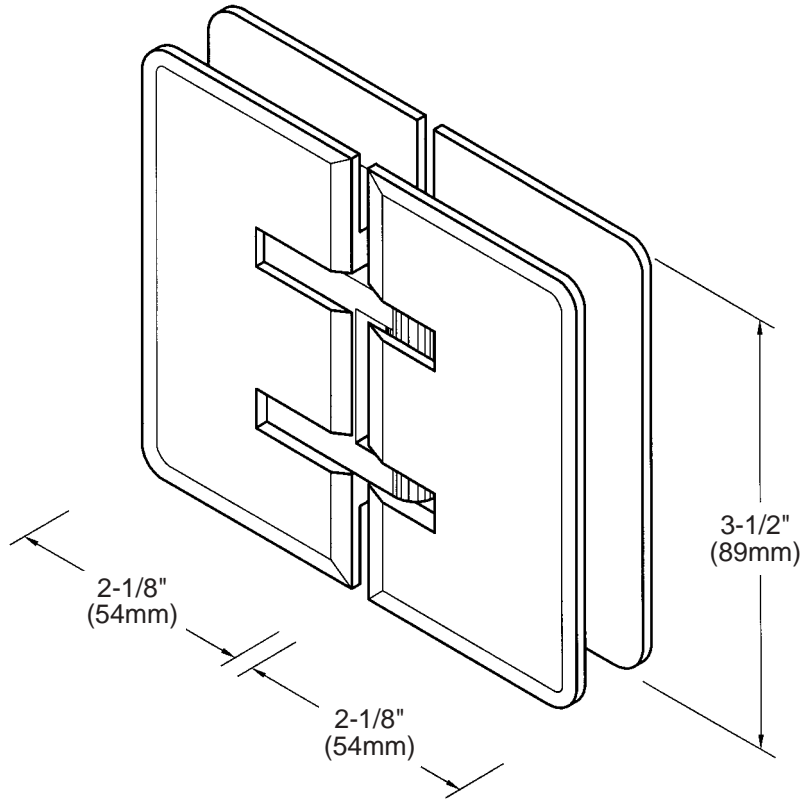




**C.R. LAURENCE CO., INC.**  
**PROFESSIONAL QUALITY**



# ESTATE

## 180° Glass-to-Glass Hinge

### CAT No. EST180

*Maximum Door Capacities	3/8" (10mm) Glass		1/2" (12mm) Glass	
	Weight	Width	Weight	Width
Using 2 Hinges	80 lbs.(36 kg)	28"(711mm)	80 lbs.(36 kg)	26"(660mm)
Using 3 Hinges	120 lbs.(55 kg)	34"(864mm)	120 lbs.(55 kg)	30"(762mm)

\*NOTE: Do not exceed either maximum weight or width when choosing proper quantity of hinges.

## Important Information:

The door and fixed panel use the same cutout.

## Specifications:

**Glass Sizes:** 3/8" (10mm) to 1/2" (12mm) thick tempered safety glass

**Construction:** Solid brass

**Closing Type:** Self-centering when within 15° of closed position

**Cutout Required**

**Includes:** Gaskets, screws and template

## Use of Gaskets:

**For 3/8"(10mm) Glass:** Use one thick gasket on each side

**For 1/2"(12mm) Glass:** Use one thin gasket on each side

## Recommendations:

For public safety, we recommend the use of only tempered safety glass.

Do not use power tools when installing these hinges.

## Maintenance Guidelines:

- Never use an abrasive cleaner on the hardware. Many of the components are coated with a clear lacquer that will be irreparably damaged if subjected to harsh, abrasive chemicals. Advise your customer that drying the hardware with a clean, soft towel on a daily basis is the best way to maintain the hardware. If mineral deposits build-up, mix a couple of drops of a mild liquid soap (such as Ivory or a similar product) into a cup of warm water. Using a soft, non-abrasive cloth, clean the hardware. Rinse thoroughly with clean, warm water and dry.