

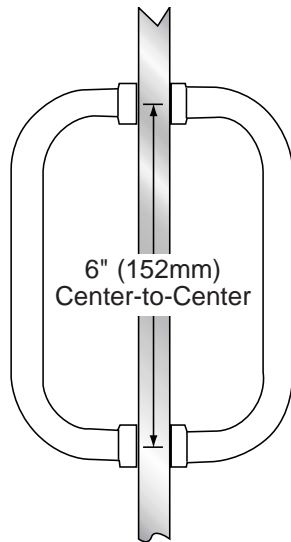


**C.R. LAURENCE CO., INC.**  
PROFESSIONAL QUALITY

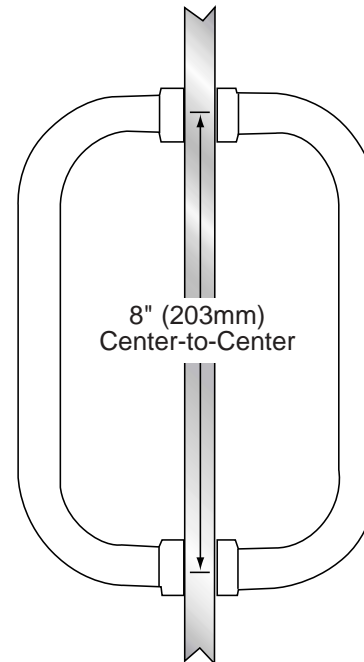
## Specifications:

All Holes Are 1/2" (12mm) Diameter  
All Measurements Are Center-To-Center  
Appropriate Clear Gaskets Included  
Fits 1/4" (6mm) to 1/2" (12mm) Glass

**CAT No. CAP6X6(REGULAR STYLE)**  
**CAT No. CAT6X6(TWIST STYLE)**



**CAT No. CAP8X8(REGULAR STYLE)**  
**CAT No. CAT8X8(TWIST STYLE)**



# DOOR PULLS

(Acrylic Construction)

**C.R. Laurence Corporate Headquarters:** P.O. Box 58923 Los Angeles, CA 90058-0923; Toll Free Phone (800) 421-6144, Technical Assistance/Extension 777; Toll Free Fax (800) 587-7501

© Copyright 2001, C.R. Laurence Co., Inc.