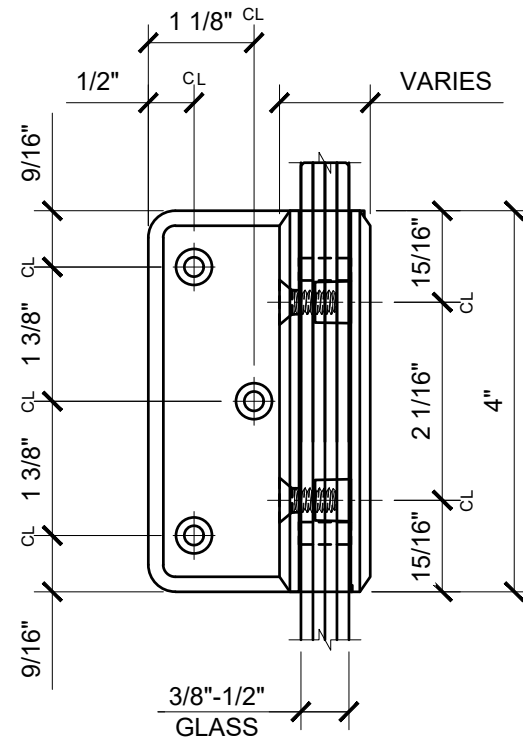
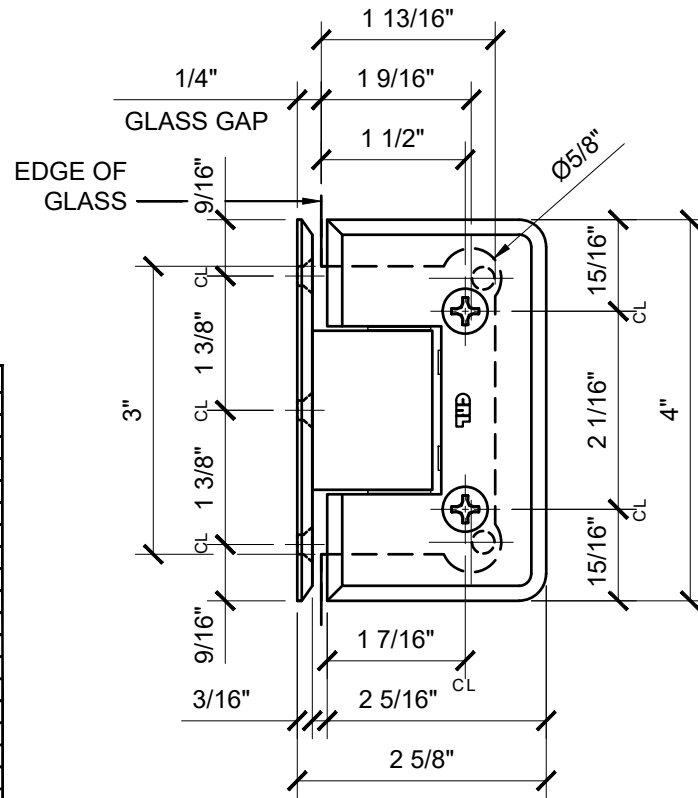
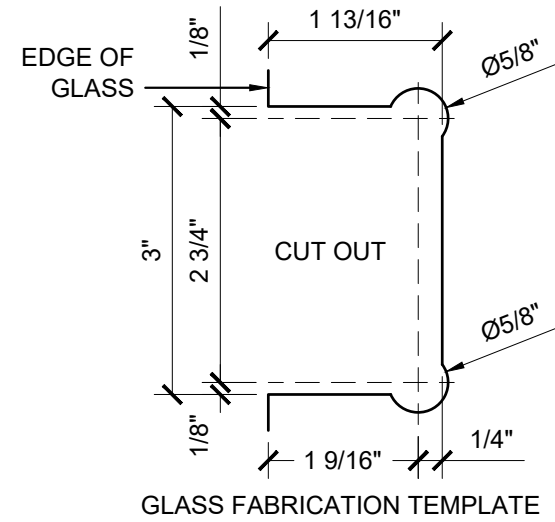
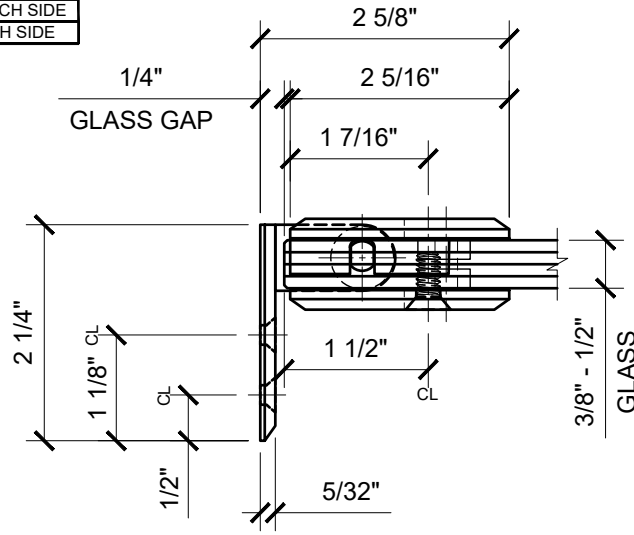


USE OF GASKETS

FOR 3/8" (10mm) GLASS: USE ONE THICK GASKET ON EACH SIDE  
 FOR 1/2" (12mm) GLASS: USE ONE THIN GASKET ON EACH SIDE



CATALOG NUMBER	FINISH
C0L044CH	CHROME
C0L044MBL	MATTE BLACK
C0L044BR	BRASS
C0L0440RB	OIL RUBBED BRONZE
C0L044ABC0	ANTIQUE BRUSHED COPPER
C0L044ABL	ALL BLACK
C0L044ABN	ANTIQUE BRUSHED NICKEL
C0L044ABR	ANTIQUE BRASS
C0L044ABRZ	ANTIQUE BRONZE
C0L044AW	ALL WHITE
C0L044BBRZ	BRUSHED BRONZE
C0L044BC0	BRUSHED COPPER
C0L044BL	BLACK W/ CHROME ACCENTS
C0L044BN	BRUSHED NICKEL
C0L044BSC	BRUSHED SATIN CHROME
C0L044CBA	CHROME W/ BRASS ACCENTS
C0L044GM	GUN METAL
C0L044GB	GOLD PLATED
C0L044PN	POLISHED NICKEL
C0L044SB	SATIN BRASS
C0L044SC	SATIN CHROME
C0L044SN	SATIN NICKEL
C0L044WC	WHITE W/ CHROME ACCENTS

C0L044XX - CRL COLOGNE SERIES WALL MOUNT OFFSET BACK PLATE HINGE

DATE: 11/29/17  
 SCALE: 6"=1'-0"  
 DRAWN BY: VM

DESCRIPTION: CRLC0L044  
 COLOGNE SERIES  
 WALL MOUNT OFFSET BACK PLATE HINGE

C.R.LAURENCE CO. ARCHITECTURAL PRODUCTS  
 2503 E. Vernon Avenue, Los Angeles, C.A 90058-1897  
 PH (800)-421-6144 FX: 800-587-7501 www.crlaurence.com

