



C.R. LAURENCE CO., INC.
PROFESSIONAL QUALITY

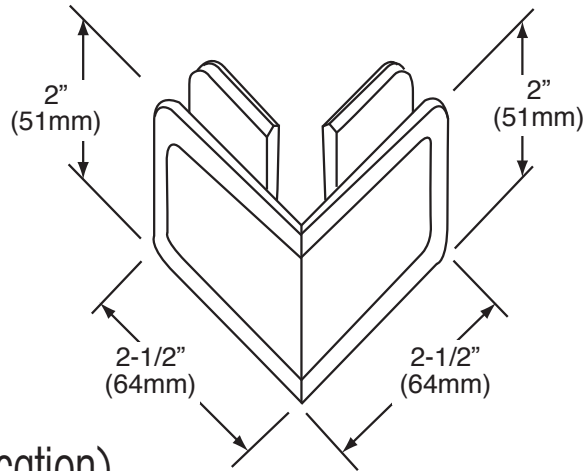
Specifications:

Material: Solid brass
Glass Thickness Range: 3/8"(10mm) to 1/2"(12mm)
Hole Size Required: 3/4" (19mm) or 7/8" (22mm)
 (45° Mitered Glass Option)
Includes: Mounting screws and gaskets

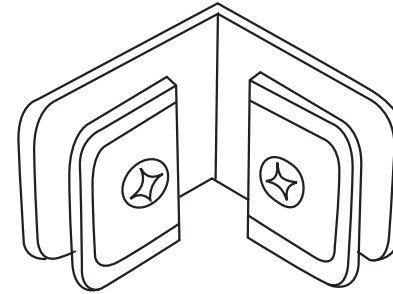
HEAVY DUTY GLASS CLAMPS

90° Glass Clamp
(Glass-to-Glass Application)

CAT. No. BGC90



FRONT VIEW



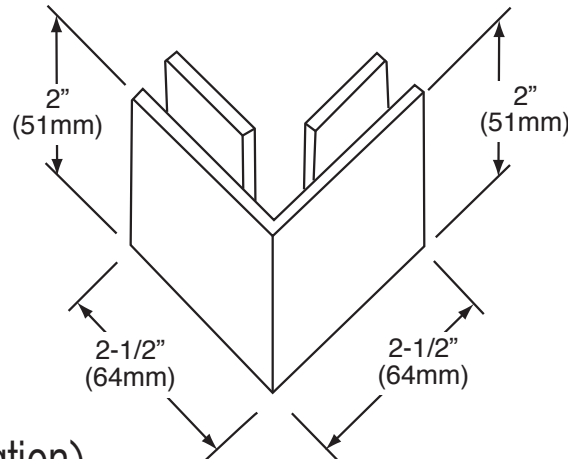
REAR VIEW

Template Shown on Next Page

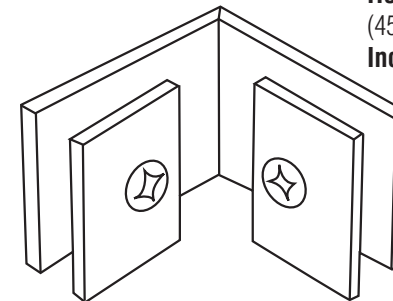
HEAVY DUTY GLASS CLAMPS

90° Glass Clamp
(Glass-to-Glass Application)

CAT. No. SGC90



FRONT VIEW



REAR VIEW

Template Shown on Next Page

Specifications:

Material: Solid brass
Glass Thickness Range: 3/8"(10mm) to 1/2"(12mm)
Hole Size Required: 3/4" (19mm) or 7/8" (22mm)
 (45° Mitered Glass Option)
Includes: Mounting screws and gaskets