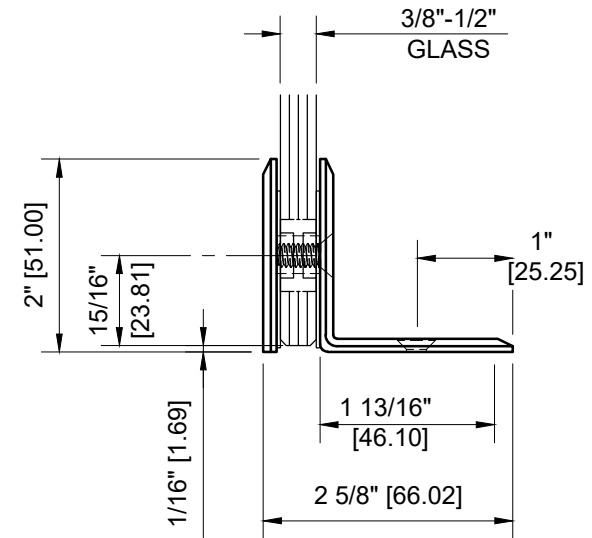
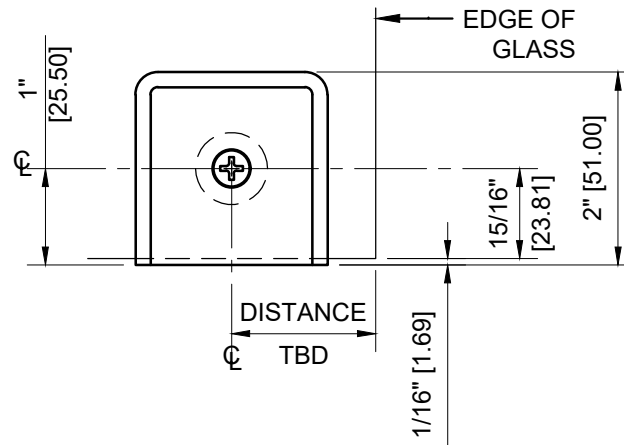
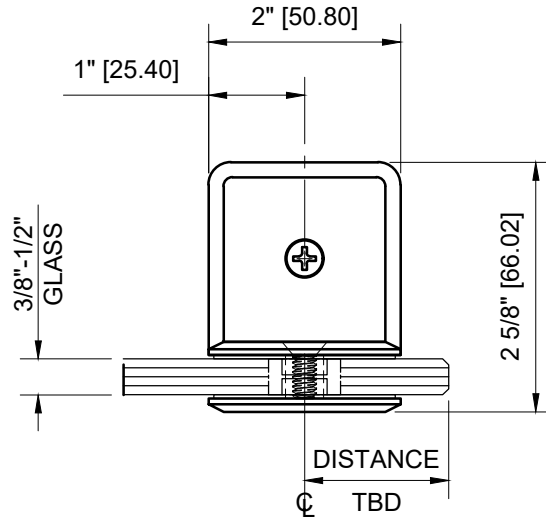


USE OF GASKETS

FOR 3/8" (10mm) GLASS:

FOR 1/2" (12mm) GLASS:



CATALOG NUMBER	FINISH
BGC039CH	POLISHED CHROME
BGC039MBL	MATTE BLACK
BGC039BR	POLISHED BRASS
BGC0390RB	OIL RUBBED BRONZE
BGC039ABR	ANTIQUÉ BRASS
BGC039BBRZ	BRUSHED BRONZE
BGC039BN	BRUSHED NICKEL
BGC039PN	POLISHED NICKEL
BGC039SC	SATIN CHROME

BGC039XX - CRL BEVELED STYLE HOLE IN GLASS FIXED PANEL LARGE LEG CLAMP

DATE: 10-28-2019  
 SCALE: 6"=1'-0"  
 DRAWN BY: VM

DESCRIPTION: CRL FIXED PANEL BEVELED CLAMP  
 BGC039 - LARGE LEG GLASS CLAMP

C.R. LAURENCE CO. ARCHITECTURAL PRODUCTS  
 2503 E. Vernon Avenue, Los Angeles, CA 90058-1897  
 PH (800)-421-6144 FX: 800-587-7501 www.crlaurence.com

