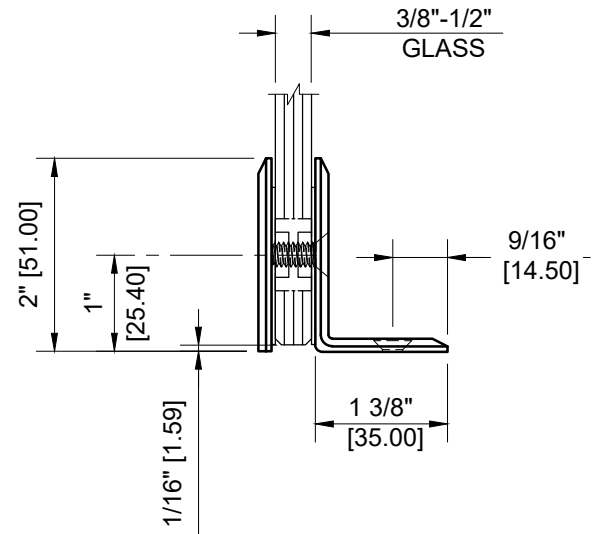
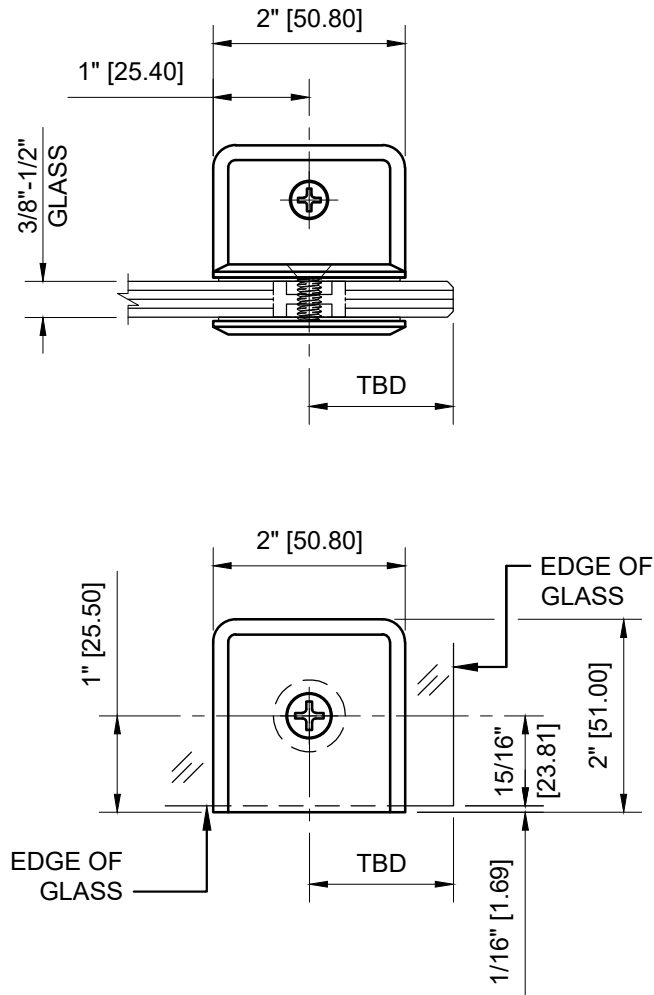


USE OF GASKETS

FOR 3/8" (10mm) GLASS:

FOR 1/2" (12mm) GLASS:



CATALOG NUMBER	FINISH
BGC037CH	POLISHED CHROME
BGC037BR	POLISHED BRASS
BGC037ORB	OIL RUBBED BRONZE
BGC037ABR	ANTIQU BRASS
BGC037BBRZ	BRUSHED BRONZE
BGC037BN	BRUSHED NICKEL
BGC037MBL	MATTE BLACK
BGC037PN	POLISHED NICKEL
BGC037SC	SATIN CHROME

BGC037XX - CRL BEVELED STYLE HOLE IN GLASS FIXED PANEL SMALL LEG CLAMP

DATE: 10-28-2019
 SCALE: 6"=1'-0"
 DRAWN BY: VM

DESCRIPTION: CRL FIXED PANEL BEVELED CLAMP
 BGC037 - SMALL LEG GLASS CLAMP

C.R.LAURENCE CO. ARCHITECTURAL PRODUCTS
 2503 E. Vernon Avenue, Los Angeles, CA 90058-1897
 PH (800)-421-6144 FX: 800-587-7501 www.crlaurence.com

