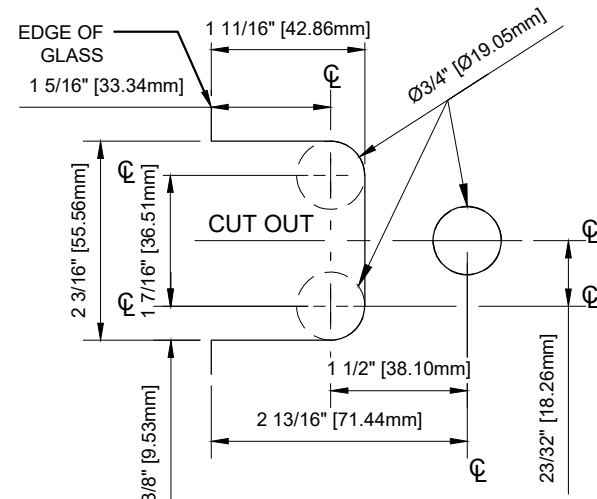
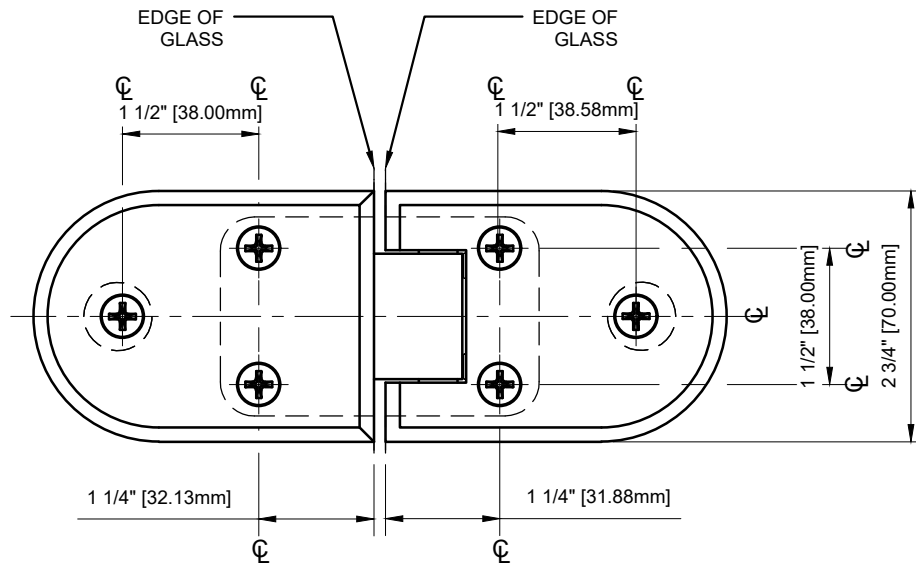
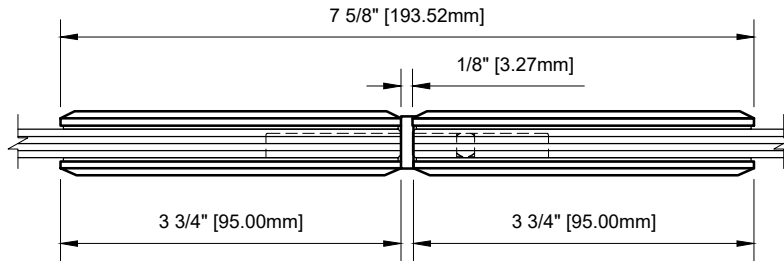
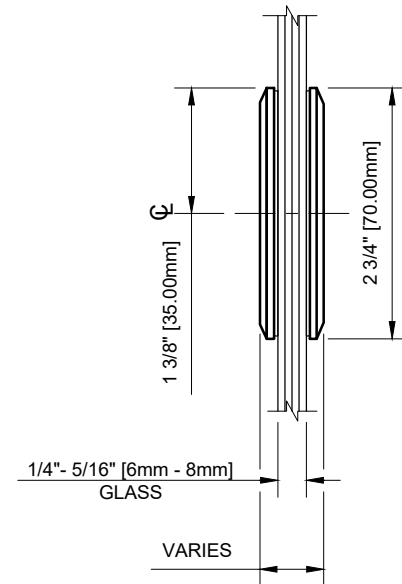


USE OF GASKETS	
FOR 1/4" (6mm) GLASS: USE ONE THICK GASKET ON EACH SIDE	
FOR 5/16" (8mm) GLASS: USE ONE THIN GASKET ON EACH SIDE	




GLASS FABRICATION TEMPLATE



CATALOG NUMBER	FINISH
BER180CH	CHROME
BER180BN	BRUSHED NICKEL
BER180GP	GOLD PLATED
BER180SC	SATIN CHROME

**BER180XX - CRL BERLIN SERIES 180° GLASS TO GLASS HINGE**

DATE: 1/2/17	DESCRIPTION: CRL BER180
SCALE: 6"=1'-0"	BERLIN SERIES
DRAWN BY: VM	180 DEGREE GLASS TO GLASS HINGE
<p>C.R. LAURENCE CO., ARCHITECTURAL PRODUCTS          2503 E. Vernon Avenue, Los Angeles, CA 90058-1897          PH (800)-421-6144 FX: 800-587-7501 www.crlaurence.com</p>	
 <p>A CRH COMPANY</p>	