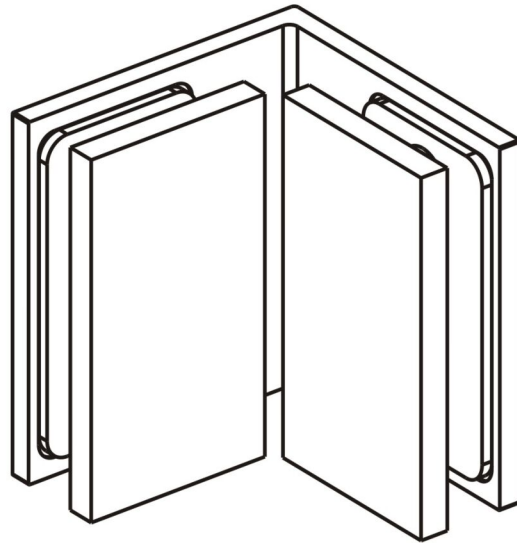


BEL090



Anwendung	90° Glas-Glas Winkel
Material	Messing
Glasdicke	8 mm, 10 mm

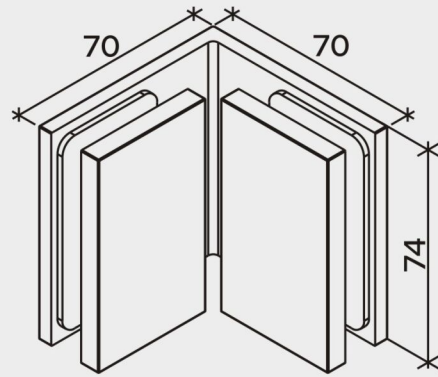
Application	90° Glass to Glass Clamp
Material	Solid Brass
Glass Thickness	8 mm, 10 mm

BEL090

BELLAGIO Winkel, 90° Glas-Glas, mit Abdeckungen.

BELLAGIO 90° Glass Clamp, with cover plates.

BEL090



Glas/Glass	8mm	10mm
A	32mm	30mm
B	42mm	42mm

