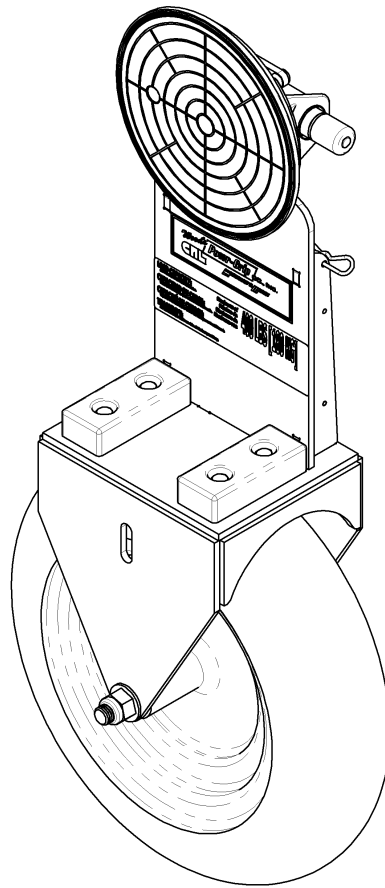


Wood's **Power-Grip** CO., INC.

INSTRUCTIONS

*P.O. Box 368 – 908 West Main
Laurel, MT USA 59044
phone 800-548-7341
phone 406-628-8231
fax 406-628-8354*

MODEL NUMBER: ATD1
SERIAL NUMBER: _____



ALL-TERRAIN DOLLY



***READ ALL INSTRUCTIONS AND WARNINGS
BEFORE USING THIS DOLLY***



SPECIFICATIONS

Model Number:	ATD1
Description:	Rugged and simple dolly facilitates transport of windows, glass or similar loads almost anywhere around the rough terrain of a job site.
Load Characteristics:	Clean, smooth, non-porous material, that is not taller than 72" [183 cm] and is no longer than the material itself can support when loaded on the dolly. The load can have a frame, provided that it does not protrude more than 1" [2.5 cm] from the load surface on the side placed against the vacuum pad (see USAGE). The directions assume loads are rectangular sheet materials and similar objects, such as windows or flat glass.
Load Capacity:	400 lbs [180 kg] with 3 or more users* 200 lbs [90 kg] with 2 users* *Since the dolly does not support any portion of the load until it is attached, 3 or more users are required to handle loads greater than 200 lbs [90 kg]. In this way, 2 users may steady and support the load while the 3rd user attaches the dolly.
Dolly Dimensions:	
Width:	8½" [214 mm]
Length:	15½" [394 mm]
Height:	32¾" [831 mm]
Dolly Weight:	17 lbs [7.7 kg]
Wheel:	15¼" [387 mm] OD with pneumatic tire
Load Support Mechanism:	Rubber bumpers
Load Attachment Mechanism:	Wood's Powr-Grip 8" [20 cm] ABS Hand Cup

WARNINGS



Powr-Grip is pleased to offer the most reliable materials handling products available. Despite the high degree of security provided by the All-Terrain Dolly, certain precautions must be observed to protect the users and others.



Always wear personal protective equipment that is appropriate for the material being handled. Follow trade association guidelines.

Never use a dolly that is damaged, malfunctioning, or missing parts.

Never remove or obscure warning labels on the dolly.

Never use a dolly if any warning appears to be missing or obscured.

Always make certain all contact surfaces of the dolly and load are clean each time prior to use.

Never exceed the load capacity or attempt to transport materials the dolly was not designed for.

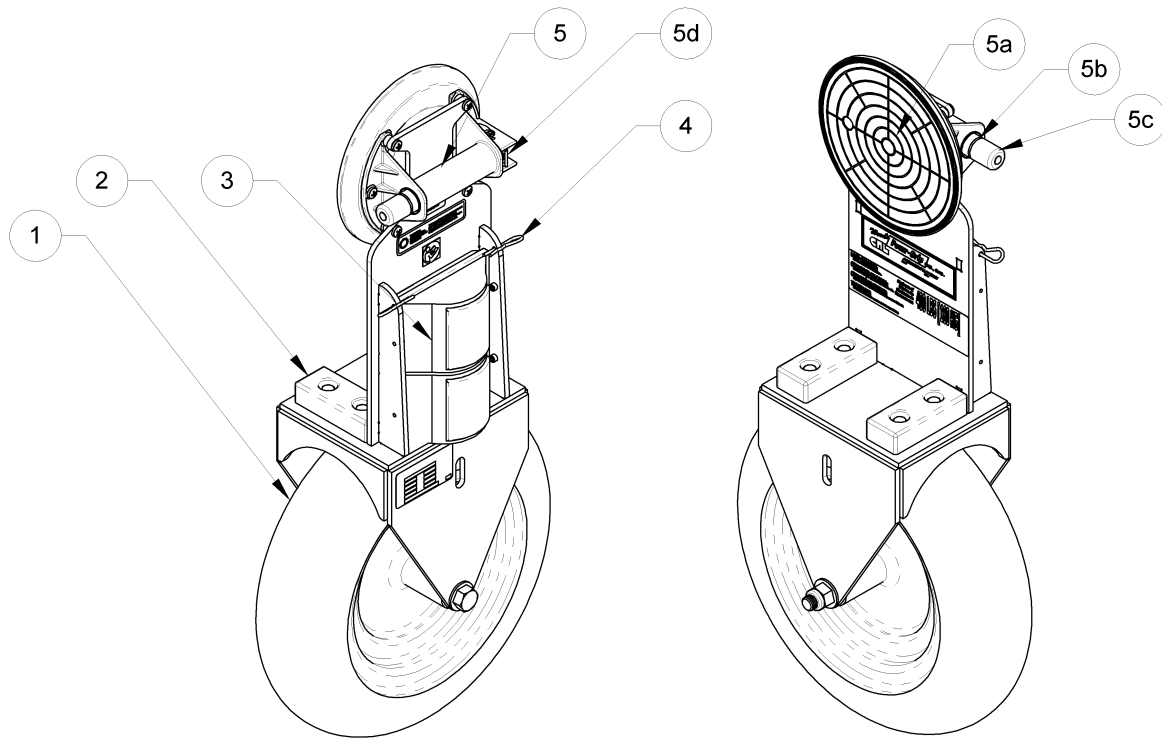
Never attempt to transport cracked or broken materials with the dolly.

Always position hands, feet and other members to avoid injury in the event of an unexpected load release.

Always remember that modifications to the dolly may compromise its safety. Wood's Powr-Grip cannot be responsible for the safety of a dolly that has been modified by the customer. For consultation, contact Wood's Powr-Grip.

USAGE FEATURES

Note: Components featured in the following instructions for setting up, using or maintaining the dolly are underlined> on their first appearance.



Standard ATD1 shown.

1 WHEEL W/PNEUMATIC TIRE
2 RUBBER BUMPER
3 ROLLER BLOCK
4 HAIRPIN

5 HAND CUP
5A VACUUM PAD
5B RED-LINE INDICATOR
5C PLUNGER
5D VALVE RELEASE LEVER

SET-UP

Open the shipping container and remove all materials for restraining or protecting the dolly. Although the dolly comes preassembled, make sure all parts are in place (see USAGE FEATURES).

Use a solution of mild soap and warm water to clean all rubber contact surfaces, and allow them to dry.

Check the pressure of the pneumatic tire: A pressure of 25 psi [172 kPa] is recommended. You may find the ideal tire pressure to be less or greater, depending on the type of terrain and the weight of your load.

CAUTION: Do not exceed the pressure indicated on the tire.

USAGE

BEFORE USING THE DOLLY

Although the dolly requires little maintenance, it must be inspected routinely (see MAINTENANCE).

Clean the contact surfaces as necessary (see SET-UP).

Check the pressure of the pneumatic tire (see SET-UP).

See the hand cup instructions provided for more information.

In addition, the following preparations must be completed prior to handling any load.

Taking Safety Precautions

At least 2 users and sometimes 3 are required at all times, in order to use the dolly as intended (see SPECIFICATIONS: Load Capacity). All users must read and understand this *INSTRUCTIONS* manual, including all **WARNINGS**, before using the dolly. If necessary, contact Wood's Powr-Grip or an authorized dealer for assistance.



WARNING: Always wear appropriate personal protective equipment.

The users must wear any personal protective equipment and take any other precautions required to handle the load safely. Consult appropriate trade association guidelines to determine what precautions are necessary for each type of load material.

Evaluating the Intended Use

The users must determine whether the dolly is capable of performing each intended task, in view of specific design limitations: Consult the SPECIFICATIONS to review the Load Capacity and Load Characteristics required to use the dolly. Any other use is not recommended.

Using the dolly in wet environments may require the users to take special precautions: Moisture on contact surfaces of the load or the vacuum pad may cause the load to slip, potentially resulting in an unexpected load release. Although the dolly can tolerate some exposure to water vapor, submerging the dolly or using it in rain may damage the dolly's components; these and similar conditions should be avoided.

TO ATTACH THE DOLLY TO A LOAD

Starting with a load in the upright orientation, users may attach the dolly either to a vertical edge or to the lower, horizontal edge of the load. For vertical attachment, place the dolly on one vertical edge of the load so that the dolly is centered between the top and bottom.

 **WARNING: Always use proper lifting technique to lift load.**

For horizontal attachment, one or more users must lift a corner of the load while another user places the dolly on the bottom edge of the load so that it is centered from end to end.

If desired, use the roller blocks (provided) to cushion and support the corner of the load while it is resting on one end. To use the roller blocks, remove the hairpins, and then slide the roller blocks up and out of their storage location.

Note: The use of additional Wood's Powr-Grip Hand Cups is suggested to ease lifting and manipulating of the load while attaching the dolly.

Apply pressure to the dolly so that the rubber bumpers fit tightly against the edge of the load and so the vacuum pad fits tightly against the load surface. Then pump the plunger of the hand cup until the red-line indicator stays hidden, indicating that the pad is securely attached.

 **WARNING: Attach dolly to load so weight will be supported entirely by rubber bumpers and/or users when dolly is in use.**

When the load is resting on the dolly, it is essential that the weight of the load be supported by the rubber bumpers and **not** by the vacuum pad. This minimizes the risk that the bottom edge of the load would slip off the rubber bumpers during transport.

After the dolly is attached, allow the weight of the load to rest on the dolly. Depending on the edge where the dolly was attached, this may require you to rotate the load edgewise. If desired, use the roller blocks as directed above.

Note: The dolly should never be left unattended while attached to a load, even if it is not supporting any weight.

TO TRANSPORT THE LOAD

While transporting a load, one or more users must support and guide each end. The dolly is intended to support the majority of the load weight, in order to reduce the strain on the users during transport. However, the stability of the load is entirely dependent on the users. When moving the load over rough terrain, it may also be necessary for the users to support some of the load weight, to ensure smooth rolling and reduce the potential for load breakage. Users at either end should support no more than 50 lbs [23 kg] apiece while the dolly is in use.



WARNING: Keep load in upright position during transport.

The load should always be kept upright, with a minimum angle of tilt: The load must never be tilted out of the vertical plane more than 15°, and it may be necessary to limit the angle more than this, depending on the strength of load material or the roughness of terrain. Exceeding the recommended angle can result in load breakage, release of the load or other circumstances that increase risk to the users.

Monitoring the Red-Line Indicator

The hand cup mounted on the dolly is equipped with a red-line vacuum indicator. When the red line stays hidden, the dolly is ready to support a load. Check the red line frequently to make sure the hand cup is attached securely. If the red line appears while the dolly is in use, one or more users must immediately support the load while another user repumps the plunger until the red line stays hidden again. If the hand cup does not maintain a vacuum hold, discontinue use until the fault is corrected.



WARNING: Always monitor hand cup during use, and never use dolly to support load when red-line indicator is visible.

Do not attempt to support a load with the dolly while the red-line indicator is visible; such an attempt could result in a load release and possible injury to the users.

TO REMOVE THE DOLLY FROM THE LOAD



WARNING: Load must be fully supported before releasing vacuum pad.

Using proper lifting technique, carefully set one corner of the load on the ground or a stable support so that there is no load on the dolly. At the same time, one or more users must continue to maintain load stability. If desired, now rotate the load 90° edgewise, to provide better access to the dolly and/or to position the load as needed. You can use the roller blocks provided to cushion and support the corner of the load while rotating it or setting it down (see TO ATTACH THE DOLLY TO A LOAD preceding).

When the load is at rest and fully supported, one user can press the valve release lever on the hand cup until the vacuum pad disengages completely from the load, while making sure to support the dolly so that it does not fall when released. The same user can remove the dolly and set it aside. Using proper lifting technique, the other user(s) can now set down the other corner of the load.

WHEN THE DOLLY IS NOT IN USE

CAUTION: *Do not set dolly against any surfaces which could soil or damage vacuum pad.*

If the dolly is transported to another location, secure the dolly so as to protect the vacuum pad and all other components from damage while in transit.

Use the cover supplied to keep the vacuum pad clean.

MAINTENANCE

Although the dolly requires little maintenance, it must be inspected routinely. Before each use, make sure that the rubber contact surfaces (vacuum pad and rubber bumpers) are in good condition and free of contamination or debris. If not, clean or replace the surfaces as necessary (see SET-UP and REPLACEMENT PARTS LIST). Regularly inspect the wheel and pneumatic tire for damage, proper tire inflation, and to verify ease of movement. Inspect all other USAGE FEATURES for damage or any deficiency which might constitute a hazard. Any maintenance warranted by an inspection must be performed before resuming normal use of the dolly.

REPLACEMENT PARTS LIST

Stock No.	Description	Qty.
29350	Nylon Pad Cover	1
91401	8" [20 cm] Hand Cup with ABS Handle	1
49290	Rubber Bumper	2
66493	Wheel w/15¼" [387 mm] OD Pneumatic Tire	1
96675	Roller Block	2
13220	Hairpin Cotter Pin	2

***SERVICE ONLY WITH IDENTICAL REPLACEMENT PARTS
SUPPLIED BY OR APPROVED BY WOOD'S POWR-GRIP CO., INC.***

LIMITED WARRANTY

Powr-Grip products are carefully constructed, thoroughly inspected at various stages of production, and individually tested. They are warranted to be free from defects in workmanship and materials for a period of one year from the date of purchase.

If a problem develops during the warranty period, follow the instructions hereafter to obtain warranty service. If inspection shows that the problem is due to defective workmanship or materials, Powr-Grip will repair the product without charge.

WARRANTY DOES NOT APPLY WHEN:

Modifications have been made to the product after leaving the factory.

Rubber portions have been cut or scratched during use.

Repairs are required due to abnormal wear and tear.

The product has been damaged, misused, or neglected.

If a problem is not covered under warranty, Powr-Grip will notify the customer of costs prior to repair. If the customer agrees to pay all repair costs and to receive the repaired product on a C.O.D. basis, Powr-Grip then will proceed with repairs.

TO OBTAIN REPAIRS OR WARRANTY SERVICE

For purchases in *North America*:

Contact the Technical Service Department at Wood's Powr-Grip Co.. When factory service is required, ship the complete product--prepaid--along with your name, address and phone number to the street address hereafter.

For purchases in *all other localities*:

Contact your dealer or the Technical Service Department at Wood's Powr-Grip Co. for assistance.

Wood's Powr-Grip Co., Inc.
908 West Main St. / P.O. Box 368
Laurel, MT USA 59044

phone 800-548-7341

phone 406-628-8231

fax 406-628-8354